

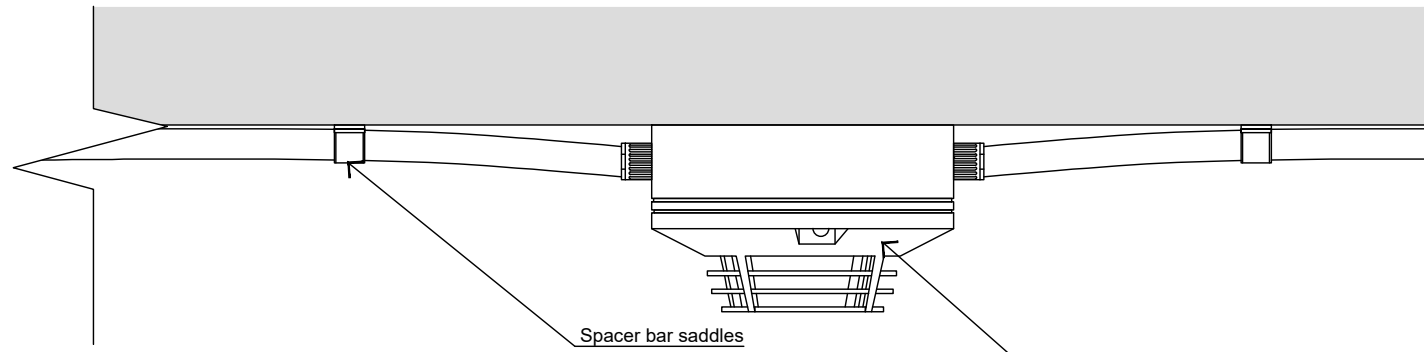
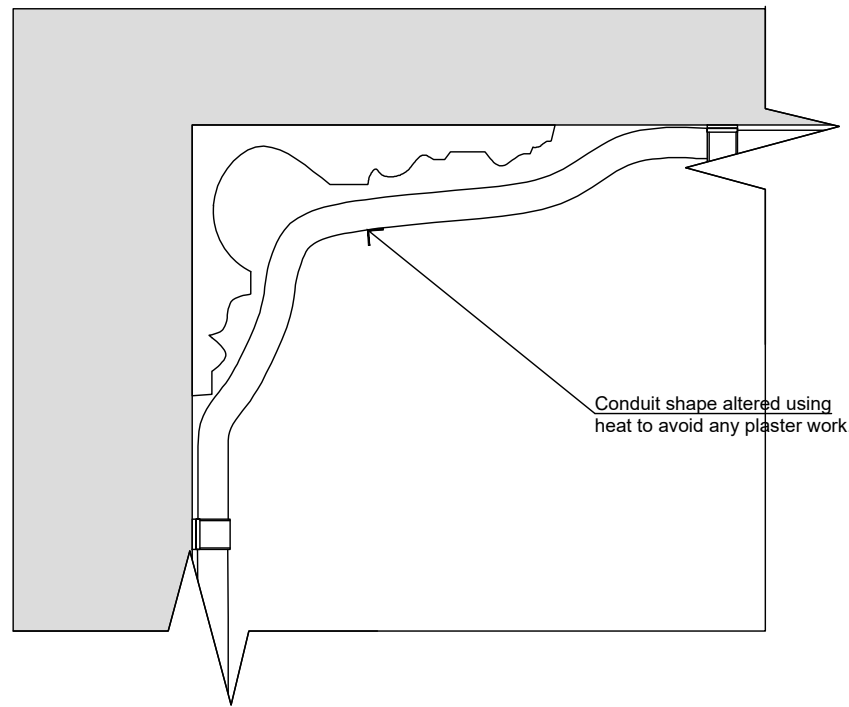
DO NOT SCALE FROM THIS DRAWING

GD Lodge accepts responsibility for this document only for the intended use by the commissioning party and not to any other.

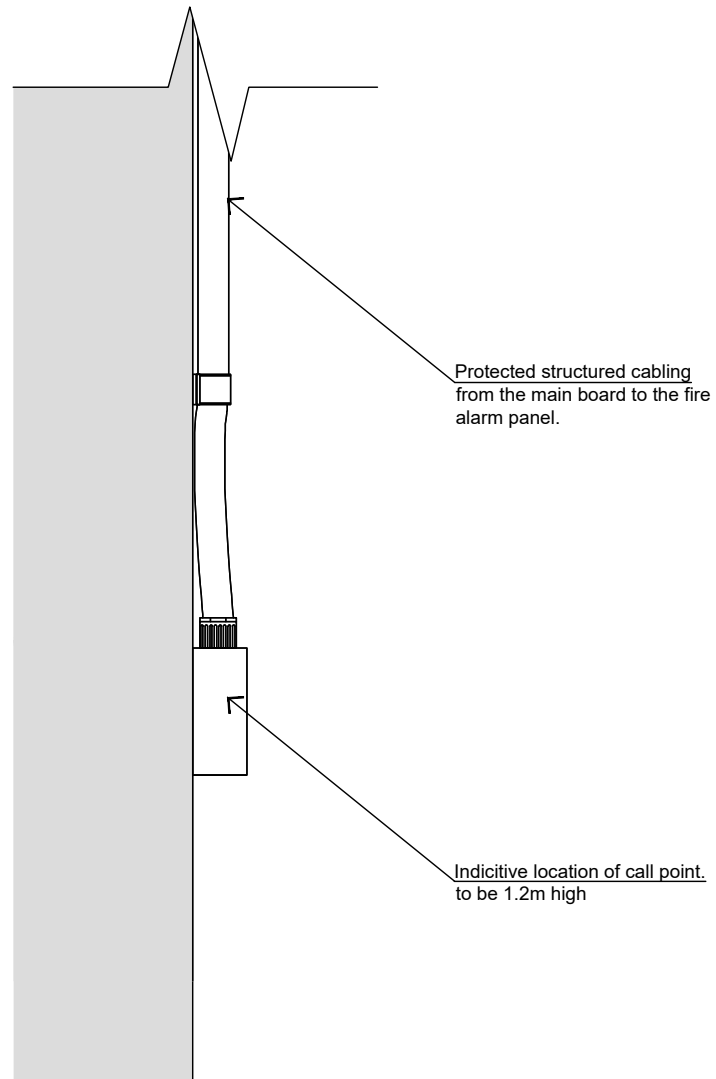
All 3D visualisations are for indicative purposes only.

This drawing is for information only, is subject to approval of the local authority and should not be used for construction.

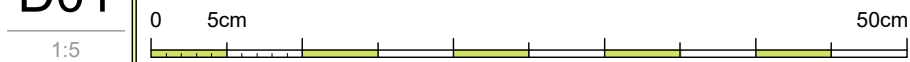
Rev	Alterations Made	Dwn	Chk	Date
1	INITIAL ISSUE	MS	AM	18.10.23



L2 fire alarm and detection system to complete castle in accordance with BS583-1:2017 and in strict compliance with the standard.



D01 Proposed Fire Alarm Details



gd lodge architects

crown house 152 west regent street glasgow G2 2RQ
 www.gdlodge.co.uk projects@gdlodge.co.uk 0141 332 6804

Client
 BANFF CASTLE

Project
 BANFF CASTLE

Drawing
 Proposed Fire Alarm Details

Status Warrant	Scale 1:5	Paper Size A3
Job No. 2952	Drawing No. 322	Rev.

Copyright © 2024 GD Lodge Architects