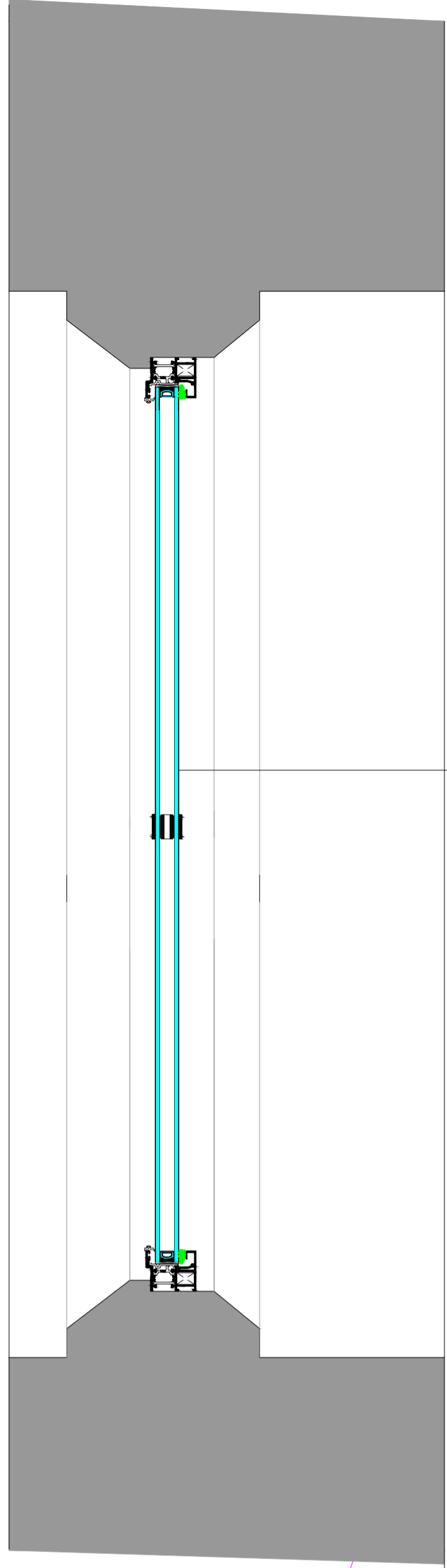
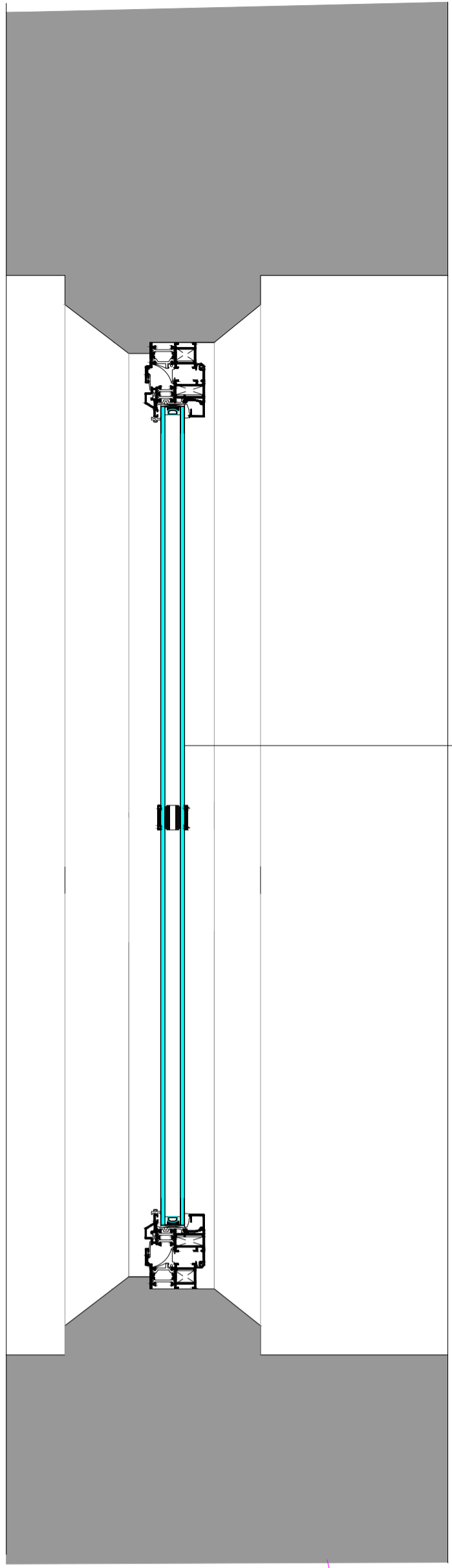


# MANOR FARM COTTAGE, GREET REPLACEMENT WINDOWS - DETAILS



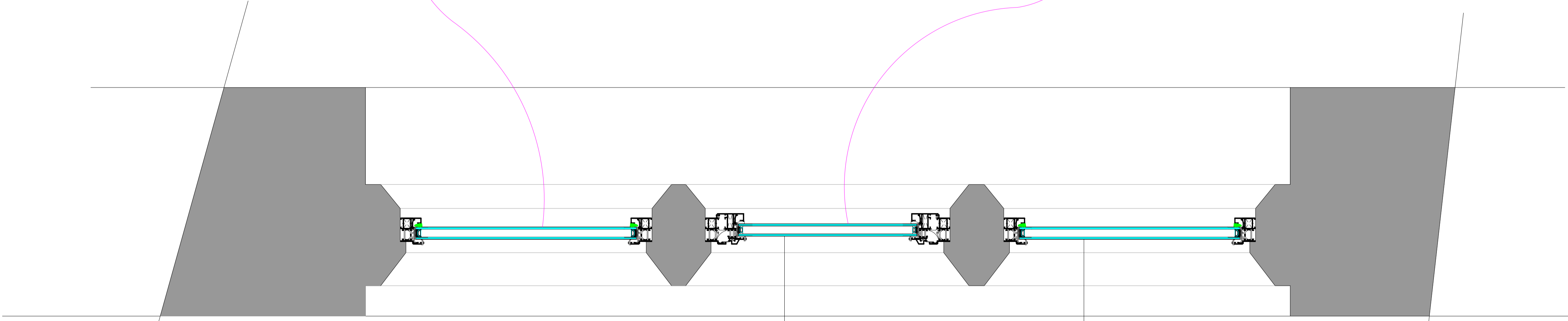
SMA Alltherm Heritage window within existing stone mullion window, coloured Creme to match existing units.  
W20015 outer frame bead and stay.  
Glazing consisting of 1 x 4mm clear and 4mm Low emissions toughened glass (double glazed).  
Horizontal glazing bar to each unit

Section  
scale 1:5



SMA Alltherm Heritage window within existing stone mullion window, coloured Creme to match existing units.  
W20015 Outer frame bead and stay with W20025 opening vent.  
Glazing consisting of 1 x 4mm clear and 4mm Low emissions toughened glass (double glazed).  
Horizontal glazing bar to each unit

Section  
scale 1:5



Plan  
scale 1:5

SMA Alltherm Heritage window within existing stone mullion window, coloured Creme to match existing units.  
W20015 Outer frame bead and stay with W20025 opening vent.  
Glazing consisting of 1 x 4mm clear and 4mm Low emissions toughened glass (double glazed).

SMA Alltherm Heritage window within existing stone mullion window, coloured Creme to match existing units.  
W20015 outer frame bead and stay.  
Glazing consisting of 1 x 4mm clear and 4mm Low emissions toughened glass (double glazed).

0	FIRST ISSUE	20.03.2024
REVISION	NOTES	DATE
CLIENT: Mr E Quilter		
PROJECT: Manor Farm Cottage Market Lane Greet CHELTENHAM GL54 5BJ		
DRAWING: Replacement Windows - Details		
 <b>CONSTRUCTION SERVICES</b> <small>4 KENELM RISE, WINCHOMBE, CHELTENHAM, GLOUCESTERSHIRE, GL54 5JU + 44 (0) 7879 000650 EMAIL: UPCONSTRUCT@GMAIL.COM</small>		
DRAWN BY: IJP	DATE: Mar 2024	APPROVED BY: IJP DATE: Mar 2024
SCALE: AS STATED - A1	TITLE: MFC.G.PR.02	REVISION: —