

ORLIGHT DATA SHEETS FOR EXTERNAL LANDSCAPE LIGHTING

Information below contains references and data sheets in order to satisfy condition 27(h).

Brand	Brand code	Colour Temp	Lamp/Type	Description	Profile/Finish	Control Option	Length	Chapmans/Fabrik Reference
Orlight	ORL8736	4000K	N/A	Recessed brick wall light	Cast Aluminium	Mains	N/A	M
Orlight	ORLLM96-RC	4000K	N/A	Ground uplight	316 Marine Grade Stainless Steel	ORLRPV350CC (IP68) Mains Driver	N/A	N
Orlight	ORLLM88-1	3000K	N/A	Ground marker light	Stainless Steel	ORLRPV350CC (IP68) Mains Driver	N/A	S
Orlight	ORLEDGE-FL	4000K	N/A	Post light single head	9005 (Black)	Mains	6M	T
Orlight	ORLEDGE-TWIN-FL	4000K	N/A	Post light double head	9005 (Black)	Mains	6M	T1
BEGA	POLE TOP LUMINAIRE	4000K	Asymmetrical	Pole top luminaire	Graphite	Mains	6M	U

REFERENCE M

ORL8736-4000K

orlight[®]
FROM SOURCE TO SITE

ITEM NO. CUBE - 13773

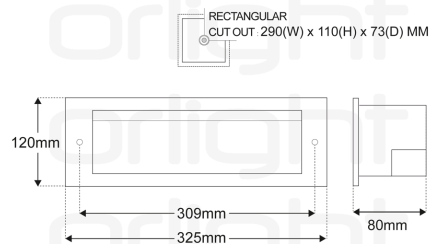
Recessed feature fitting, horizontally mounted and IP65 rated.

The stepped louvre provides a soft downward emission of light. Integrated mains dimmable LED driver for ease of installation.

Cast Aluminium face plate construction with Solid State CREE LED light source and CRI>80 to ensure light quality.



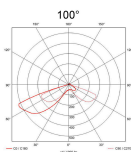
Dimension



Technical Specification

Item Category	EXTERNAL	Product Family	CUBE
Product Variant	8736	Wattage (W)	15W
Lumen Output (LM)	1008LM	Lumen Per Watt (LM/W)	67LM/W
Milliamp / Current	550MA	Voltage (V)	220-240V
Dimming	MAINS DIMMABLE	Colour Temperature (K)	4000K
Chipset	CREE 5050	Chip Life (HRS)	L70 > 60,000HRS
CRI	CRI > 80	Binning	4 STEP MACADAMS
Beam Angle (°)	100°	Compatible Light Source	SOLID STATE LED
Lamp Change	SOLID STATE LED	Operating Ambient Temperature	-20°C - 50°C
Construction	ALUMINIUM	Colour / Finish	GREY
RAL Number	RAL 9023	Rotation (°)	FIXED
Tilt	FIXED	IP Rating	IP65
Installation	WALL RECESSED	Cutout (MM)	290 (W) X 110 (H) MM
Height (MM)	120 MM	Length (MM)	325 MM
Width / Depth (MM)	80 MM	Weight (KG)	1.068KG

Polar Curve



orlight[®]
FROM SOURCE TO SITE

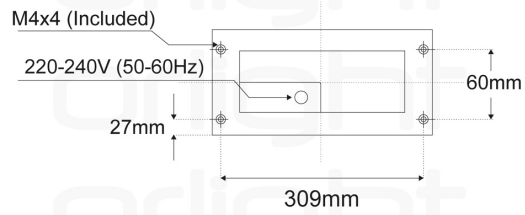
orcomm
NOW YOU'RE IN CONTROL

orlight[®]
SPECIAL PROJECTS

ORL8736-4000K

ITEM NO. CUBE - 13773

Additional Information



REFERENCE T

ORLEDGE-6M-FL-9005-4000K

ITEM NO. EDGE - 14112

This LED 6M flange-mounted post light creates a dramatic lighting effect for urban, residential, hospitality, retail, and commercial applications.

The poles are constructed of box section 101.6 x 101.6 x 3.25mm Grade 6082 T6 aluminium alloy, finished in RAL9005 and rated to IP65.

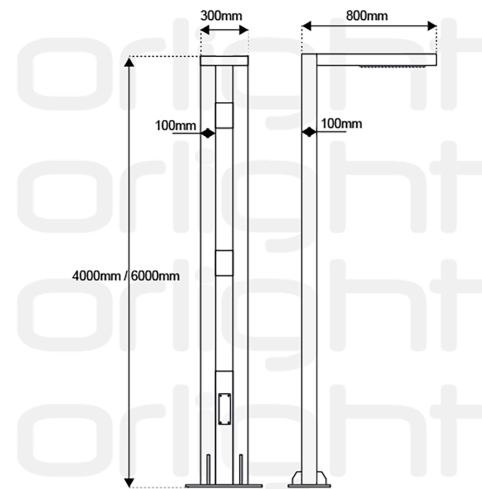
Access to lamp and control gear via four removable screws.

Covered under BS EN 40-3-1:2013, PD6547:2004.

Fixings not included.



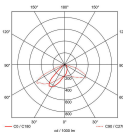
Dimension



Technical Specification

Item Category	EXTERNAL	Product Family	EDGE
Product Variant	6M FLANGE MOUNT	Wattage (W)	80W
Lumen Output (LM)	8300LM	Lumen Per Watt (LM/W)	104LM/W
Voltage (V)	85V-265V	Dimming	SWITCHED
Colour Temperature (K)	4000K	Chipset	LED CHIPSET
Chip Life (HRS)	L70 > 54,000HRS	CRI	CRI > 80
Binning	2 STEP MACADAMS	Compatible Light Source	SOLID STATE LED
Lamp Change	SOLID STATE LED	Construction	GRADE 6082 ALUMINIUM
Colour / Finish	BLACK	RAL Number	RAL 9005
IP Rating	IP65	Installation	FLANGE MOUNTED
Height (MM)	6000 MM	Length (MM)	800 MM
Width / Depth (MM)	300 MM		

Polar Curve

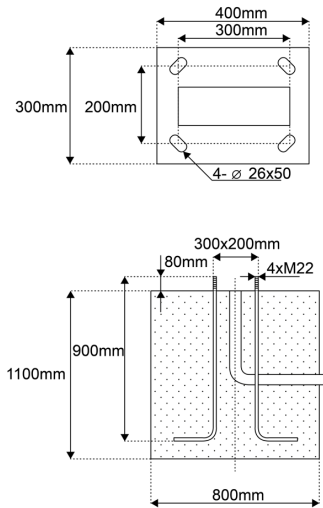


ORLEDGE-6M-FL-9005-4000K

orlight®
FROM SOURCE TO SITE

ITEM NO. EDGE - 14112

Additional Information



REFERENCE T1

ORLEDGE-6M-TWIN-FL-9005-4000K

orlight[®]
FROM SOURCE TO SITE

ITEM NO. EDGE - 22181

This LED 6M twin flange mounted post light creates a dramatic lighting effect for urban, residential, hospitality, retail, and commercial applications.

The poles are constructed of box section 101.6 x 101.6 x 3.25mm Grade 6082 T6 aluminium alloy, finished in RAL9005 and rated to IP65.

Access to lamp and control gear via four removable screws.

Covered under BS EN 40-3-1:2013, PD6547:2004.

Fixings not included.



Technical Specification

Item Category	EXTERNAL	Product Family	EDGE
Product Variant	6M TWIN FLANGE MOUNT	Wattage (W)	160W
Lumen Output (LM)	16600LM	Lumen Per Watt (LM/W)	104LM/W
Voltage (V)	85V-265V	Dimming	SWITCHED
Colour Temperature (K)	4000K	Chipset	LED CHIPSET
Chip Life (HRS)	L70 > 54,000HRS	CRI	CRI > 80
Binning	2 STEP MACADAMS	Compatible Light Source	SOLID STATE LED
Lamp Change	SOLID STATE LED	Construction	GRADE 6082 ALUMINIUM
Colour / Finish	BLACK	RAL Number	RAL 9005
IP Rating	IP65	Installation	FLANGE MOUNTED
Height (MM)	6000 MM	Length (MM)	1500 MM
Width / Depth (MM)	300 MM		

REFERENCE S

ORLLM88-1-SS-3000K

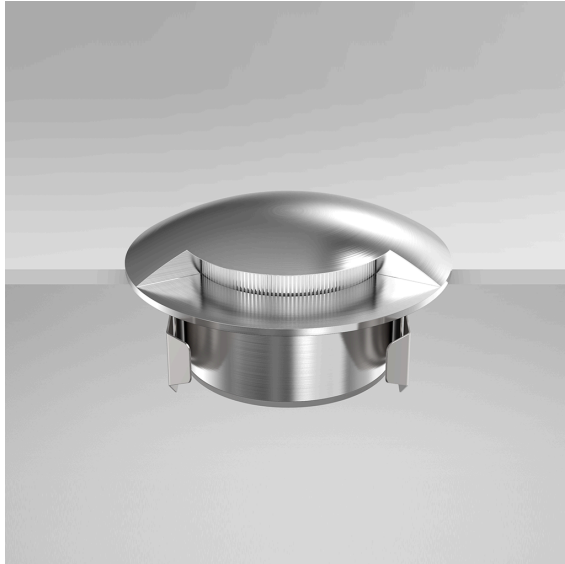


ITEM NO. CRESCENT - 15013

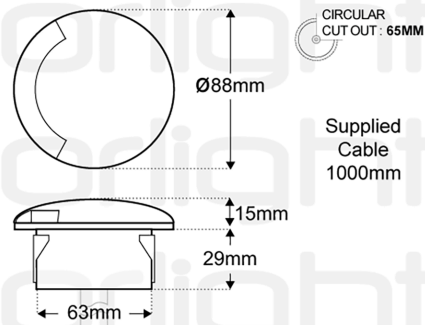
Marine grade 316 stainless steel in-ground single marker light complete with integral CREE LED package. Fixture rated to IP68 with single aperture for asymmetric emission.

Configured to 40 degree beam as standard, product functions with 350mA constant current driver. Inline driver options include switched, 1-10V and DALI dimmable solutions.

Please Note: This product does not support hot plugging.



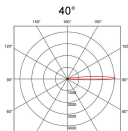
Dimension



Technical Specification

Item Category	EXTERNAL	Product Family	CRESCENT
Product Variant	MIDI ONE-WAY	Wattage (W)	3W
Lumen Output (LM)	240LM	Lumen Per Watt (LM/W)	80LM/W
Constant Current or Voltage	CONSTANT CURRENT	Milliamp / Current	350MA
Voltage (V)	9V	Colour Temperature (K)	3000K
Chipset	CREE 5050	Chip Life (HRS)	L70 > 60,500HRS
CRI	CRI > 85	Binning	4 STEP MACADAMS
Beam Angle (°)	40°	Compatible Light Source	SOLID STATE LED
Lamp Change	SOLID STATE LED	Operating Ambient Temperature	-20°C - 45°C
Construction	STAINLESS STEEL	Colour / Finish	316 MARINE GRADE
Rotation (°)	FIXED	Tilt	FIXED
IP Rating	IP68	IK Rating	IK10
Installation	RECESSED	Diameter	88 MM
Cutout (MM)	65 MM	Height (MM)	44 MM
Length (MM)	29 MM	Width / Depth (MM)	63 MM
Weight (KG)	0.65KG	Cable Length (mm)	3000MM

Polar Curve



ORLLM88-1-SS-3000K

ITEM NO. CRESCENT - 15013

Additional Information

CRESCENT - ORLLM88 - (350mA)

Compatible Driver & Series Wiring

Dimming	Driver	Code	Min. Fitting Per Driver	Max. Fitting Per Driver
Switched (IP68)	ORLRPV350CC	15231	1	3
Switched (IP42)	ORLRPV350-35-APC	15230	4	10
Switched (IP66)	ORLRPV350-35-APC-IP66	31555	4	10
Mains (IP20)	ORLRPV20D-250-700MA	28382	1	4
1-10V/Push (IP20)	MAXDR-MINI-100-380MA	11887	1	5
DALI (IP20)	MAXDR-MINI-100-380MA	11887	2	5

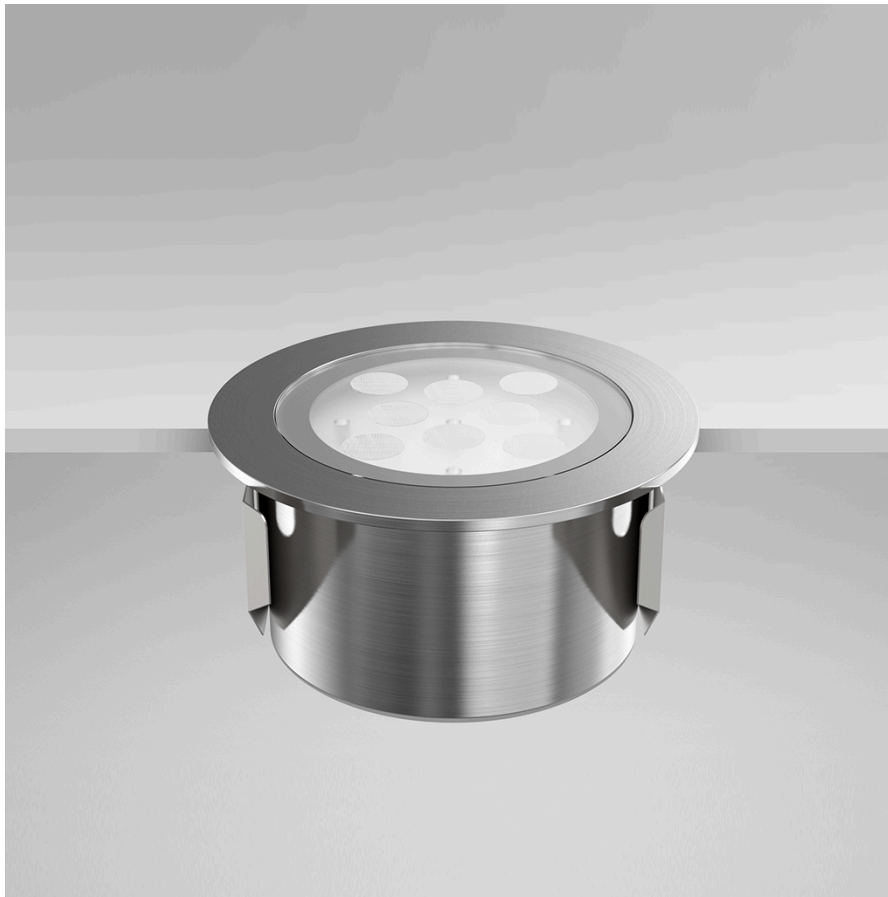
REFERENCE N

ORLLM96-RC-4000K

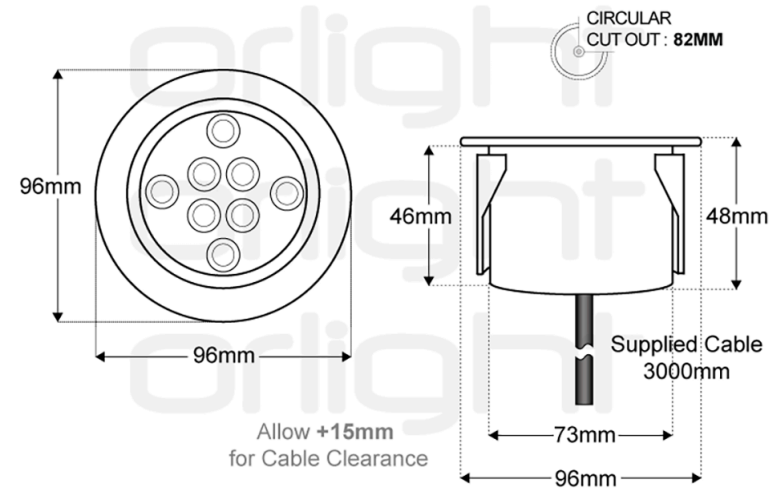
orlight®
FROM SOURCE TO SITE

ITEM NO. NOVA - 15037

Midsized recessed fixture complete with integral CREE XPE LED package and 35 degree beam option.
Marine Grade 316 Stainless Steel construction rated to IP68. No mechanical joints to light source ensures robust protection against water ingress.
Product runs cool meeting all touch temperature requirements. Inline 350mA driver options include switched, mains, 1-10V and DALI dimmable solutions.
Please Note: This product does not support hot plugging.



Dimension



orlight®
FROM SOURCE TO SITE

orcomm
NOW YOU'RE IN CONTROL

orlight®
SPECIAL PROJECTS

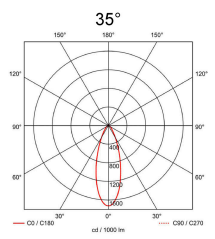
Item Category	EXTERNAL	Product Family	NOVA
Product Variant	MAXI STANDARD	Wattage (W)	8W
Lumen Output (LM)	860LM	Lumen Per Watt (LM/W)	108LM/W
Constant Current or Voltage	CONSTANT CURRENT	Milliamp / Current	350MA
Voltage (V)	24V	Colour Temperature (K)	4000K
Chipset	CREE XDE	Chip Life (HRS)	170 ~ 60,000HRS
ITEM NO. NOVA - 15037			

ORLLM96-RC-4000K



Beam Angle (°)	35°	Compatible Light Source	SOLID STATE LED
Lamp Change	SOLID STATE LED	Operating Ambient Temperature	-20°C - 45°C
Construction	STAINLESS STEEL	Colour / Finish	316 MARINE GRADE
Rotation (°)	FIXED	Tilt	FIXED
IP Rating	IP68	IK Rating	IK10
Installation	RECESSED	Diameter	96 MM
Cutout (MM)	82 MM	Height (MM)	46 MM
Width / Depth (MM)	73 MM	Weight (KG)	0.9KG
Cable Length (mm)	3000MM		

Polar Curve



ORLLM96-RC-4000K

ITEM NO. NOVA - 15037

Additional Information

NOVA - ORLLM96 - (350mA)

Compatible Driver & Series Wiring

Dimming	Driver	Code	Min. Fitting Per Driver	Max. Fitting Per Driver
Switched (IP68)	ORLRPV350CC	15231	1	1
Switched (IP42)	ORLRPV350-35-APC	15230	2	4
Switched (IP66)	ORLRPV350-35-APC-IP66	31555	2	4
Mains (IP20)	ORLRPV20D-250-700MA	28382	1	1
1-10V/Push (IP20)	MAXDR-MINI-100-380MA	11887	1	2
DALI (IP20)	MAXDR-MINI-100-380MA	11887	1	2

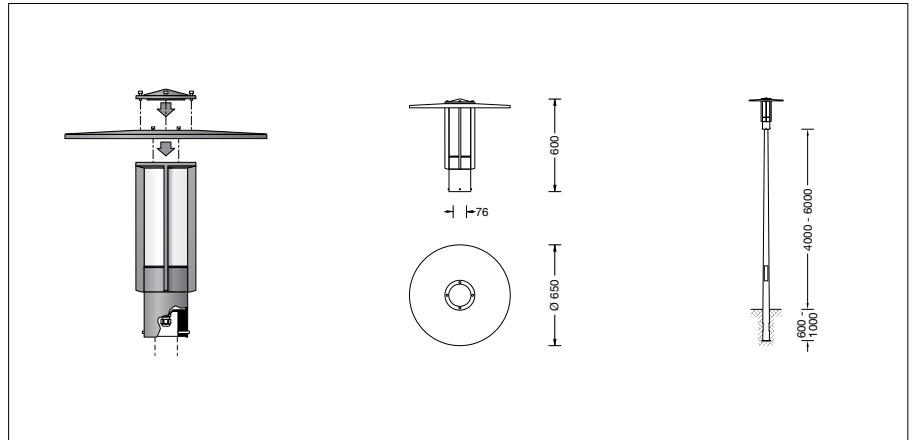
BEGA**REFERENCE U****77 120**

Pole top luminaire

 IP 65

Project · Reference number

Date

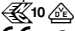
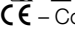


Product data sheet

Application

Pole-top luminaire with symmetrical light distribution.
For mounting heights 4000 - 6000 mm.

Product description

Luminaire made of aluminium alloy, aluminium and stainless steel
BEGA Unidure® coating technology
Synthetic cylinder, white
For pole top \varnothing 76 mm
Slip fitter insert depth 80 mm
Connecting cable X05BQ-F 5 G 1 mm²
Cable length 6 m
with plug connection
BEGA Ultimate Driver®
LED power supply unit
220-240 V \approx 0/50-60 Hz
DC 176-264 V
DALI controllable
Number of DALI addresses: 1
A basic isolation exists between power cable and control line
BEGA Thermal Control®
Temporary thermal regulation to protect temperature-sensitive components without switching off the luminaire
Safety class I
Protection class IP 65
Dust-tight and protection against water jets
Impact strength IK08
Protection against mechanical impacts < 5 joule
 – Safety mark
 – Conformity mark
Horizontal wind catching area: 0.12 m²
Weight: 10.5 kg
This product contains light sources of energy efficiency class(es) B

Lamp

Module connected wattage 22.8 W
Luminaire connected wattage 26.5 W
Rated temperature $t_a = 25$ °C
Ambient temperature $t_{a \max} = 60$ °C

77 120 K4

Module designation 6x LED-0146/840
Colour temperature 4000 K
Colour rendering index CRI > 80
Module luminous flux 4710 lm
Luminaire luminous flux 2874 lm
Luminaire luminous efficiency 108,5 lm/W

77 120 K3

Module designation 6x LED-0146/830
Colour temperature 3000 K
Colour rendering index CRI > 80
Module luminous flux 4590 lm
Luminaire luminous flux 2801 lm
Luminaire luminous efficiency 105,7 lm/W

Service life · Ambient temperature

Rated temperature $t_a = 25$ °C
LED psu: > 50,000 h
LED module: > 200,000 h (L 80 B 50)
100,000 h (L 90 B 50)

Ambient temperature max. $t_a = 60$ °C (100 %)

LED psu: 50,000 h
LED module: 47,000 h (L 80 B 50)
72,000 h (L 70 B 50)

Lighting technology

Luminaire data for the DIALux lighting design program for outdoor lighting, street lighting and indoor lighting, as well as luminaire data in EULUMDAT and IES format are available on the BEGA website at www.bega.com.

Ratio of luminous flux

Luminous flux upper half-space 30,6 %
Luminous flux lower half-space 69,4 %

BUG rating according to IES TM-15-07:

1-3-2

CEN Flux Code according to EN 13032-2:

20-46-73-69-100-0-7-46-31

Inrush current

Inrush current: 5 A / 100 μ s
Maximum number of luminaires of this type per miniature circuit breaker:
B 10A: 28 luminaires
B 16A: 45 luminaires
C 10A: 28 luminaires
C 16A: 48 luminaires

Accessories

For this luminaire we recommend the following BEGA luminaire poles:

Cylindrically stepped steel poles
lacquered · with door und C rail

71 202 Pole with anch.section H 4000 mm
71 204 Pole with anch.section H 5000 mm
71 206 Pole with anch.section H 6000 mm

Tapered aluminium poles,
lacquered with access door and C-clamp

70 914 Pole with anch.section H 4000 mm
70 725 Pole with anch.section H 4500 mm
70 915 Pole with anch.section H 5000 mm
70 916 Pole with anch.section H 6000 mm
70 791 Pole with baseplate H 4000 mm
70 792 Pole with baseplate H 4500 mm
70 794 Pole with baseplate H 5000 mm

Tapered poles made of laminated wood in
accordance with DIN EN 14080 and aluminium
· with access door and C-clamp

71 193 Pole with baseplate H 4000 mm
71 194 Pole with baseplate H 5000 mm
71 195 Pole with baseplate H 6000 mm

See the separate instructions for use.

Article No. 77 120

LED colour temperature optionally 4000 K
or 3000 K

4000 K – Article number + **K4**

3000 K – Article number + **K3**

Colour graphite or silver
graphite – article number
silver – article number + **A**

Light distribution