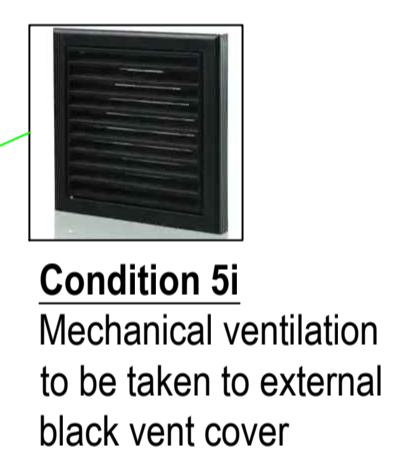
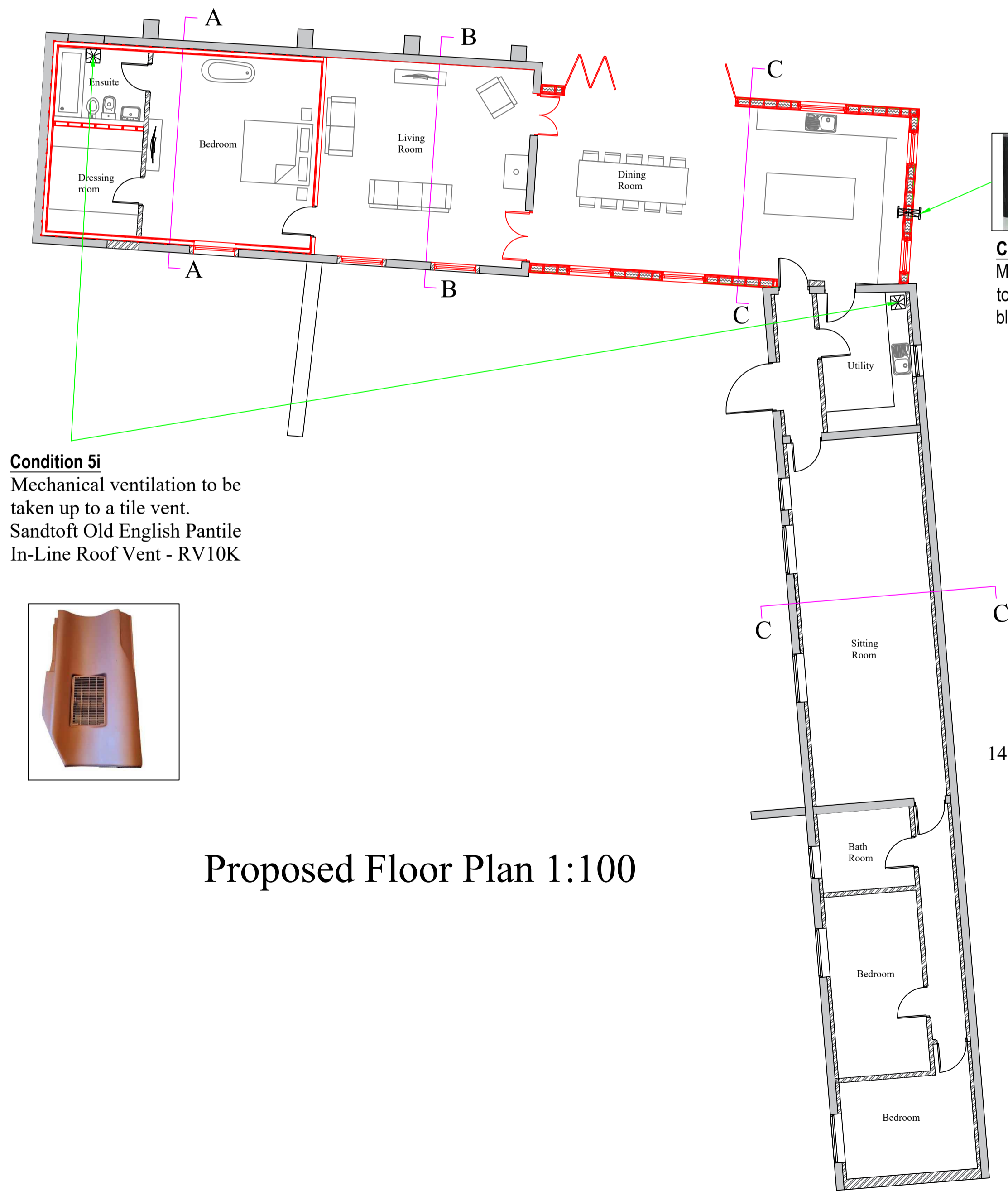
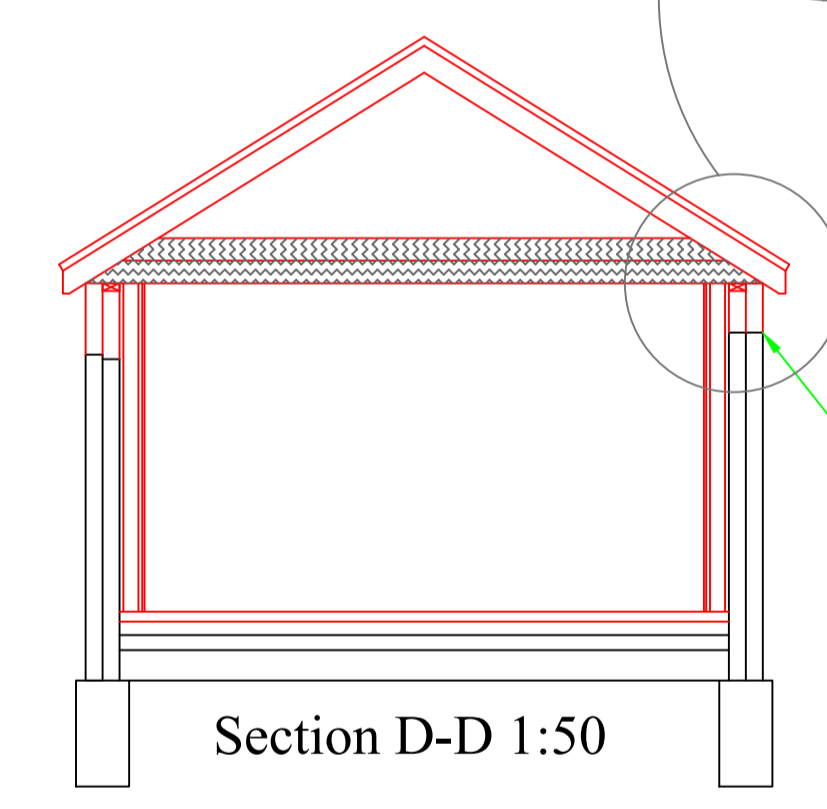
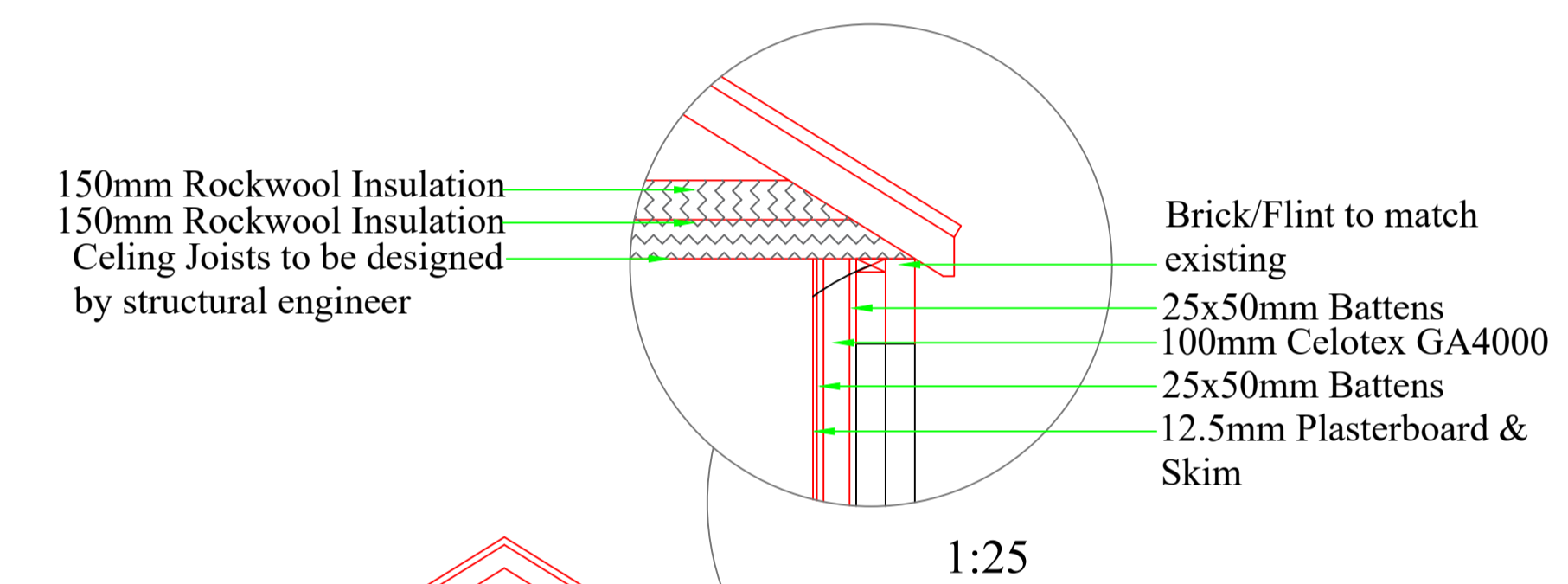
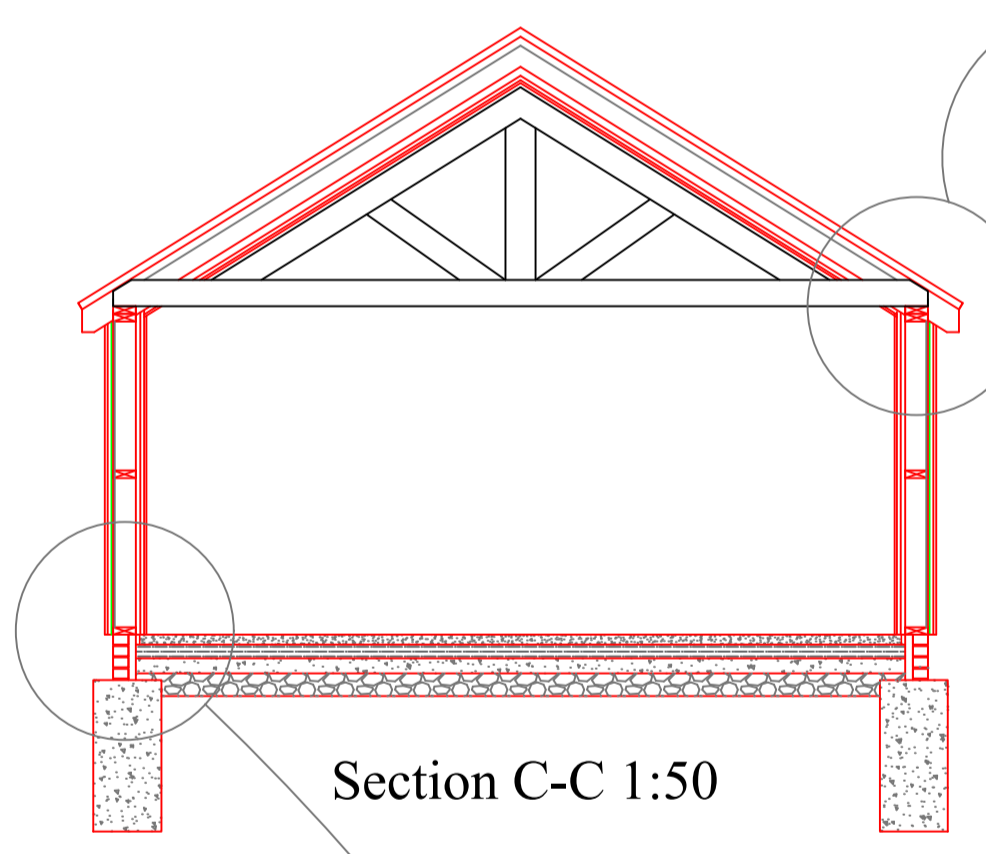
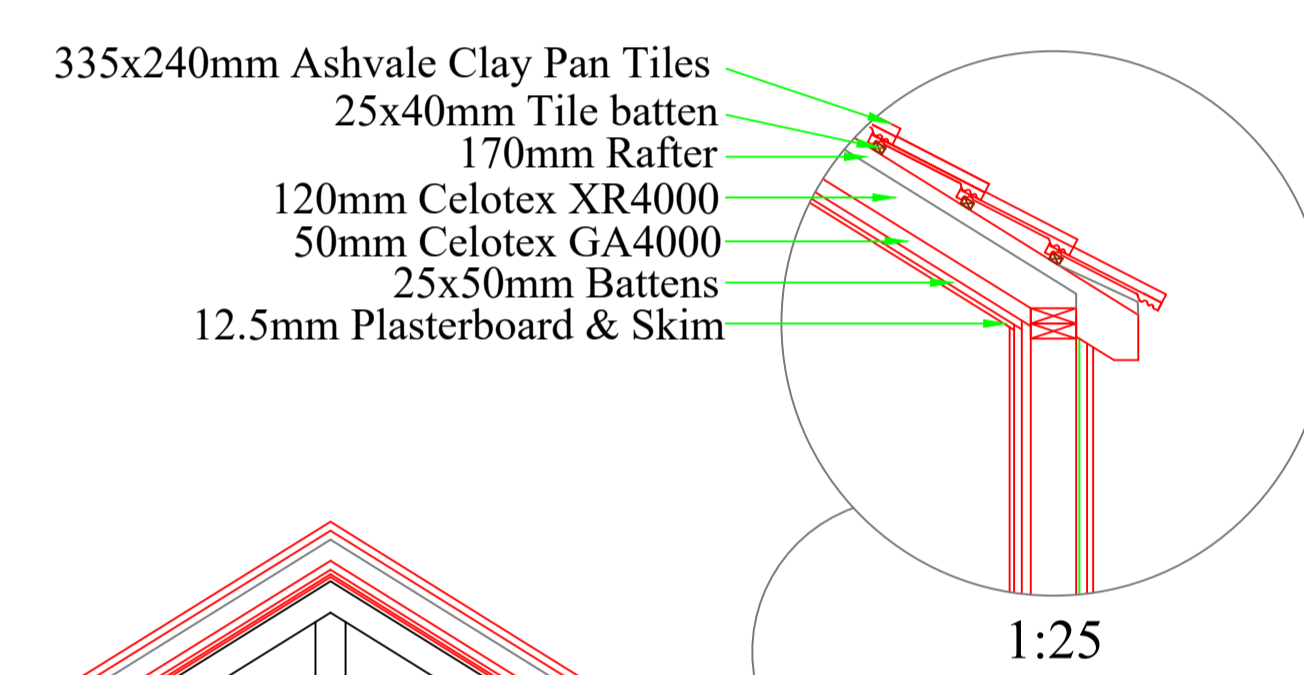


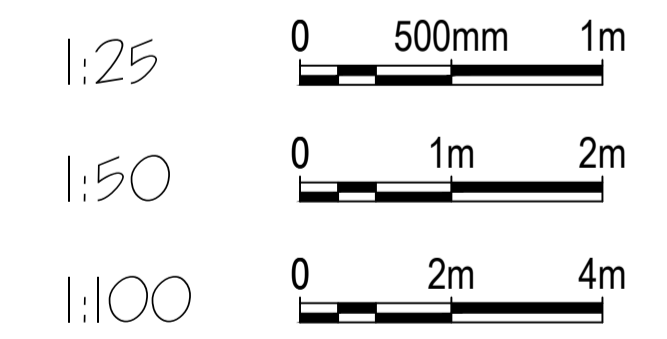
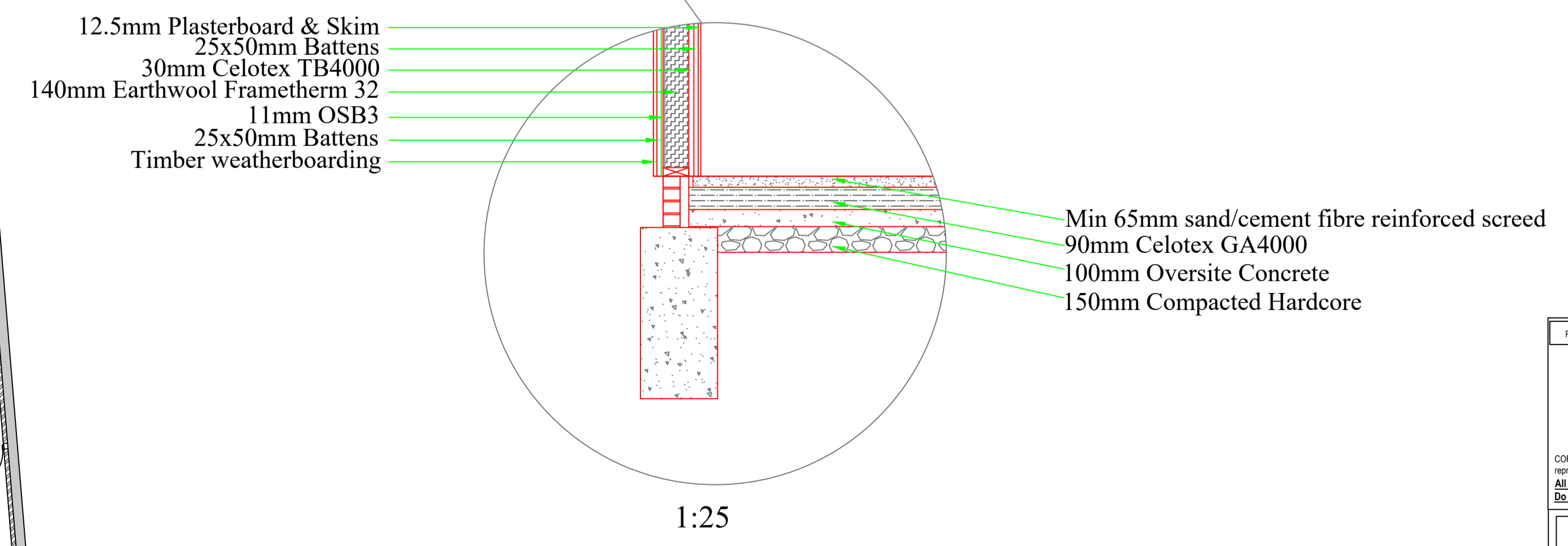
Conditions 5G & 5J - Sections.



**Condition 5i**  
Mechanical ventilation to be taken up to a tile vent. Sandtoft Old English Pantile In-Line Roof Vent - RV10K



Eaves to be raised as approved in application DC/20/04875



REV	The Barns at Hurrells Farm, Boxford Lane, Newton, Sudbury Suffolk, CO10 5JY.	Conditions 5G, 5i & 5J Proposed Sections
<p>Wright Ruffell Cameron Architectural Design Service</p> <p>Beaver House Plough Road Centre Great Bentley Essex CO7 8LG</p> <p>Tel: 01206 250601 Fax: 01206 251443 E-mail: Andy@Wrcads.co.uk Web Site: wrcads.co.uk</p>		
Paper Size A1 SCALE 1:100, 1:50, 1:25 DATE 26/2/2024 PROJECT NO. 2565 DWG. NO. C02	<p>DRAWN BY Molly Brown</p> <p>CHECKED BY Andy Cameron CIAT(Affiliate), OCDEA</p>	