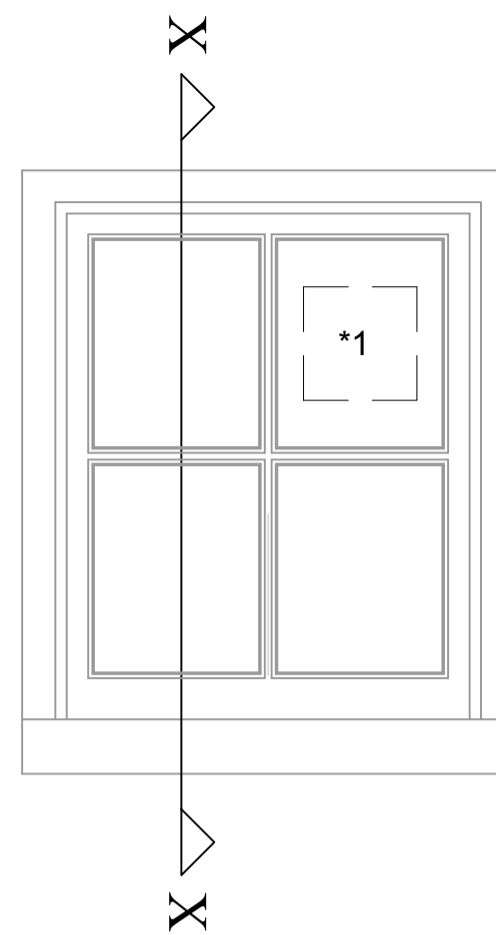
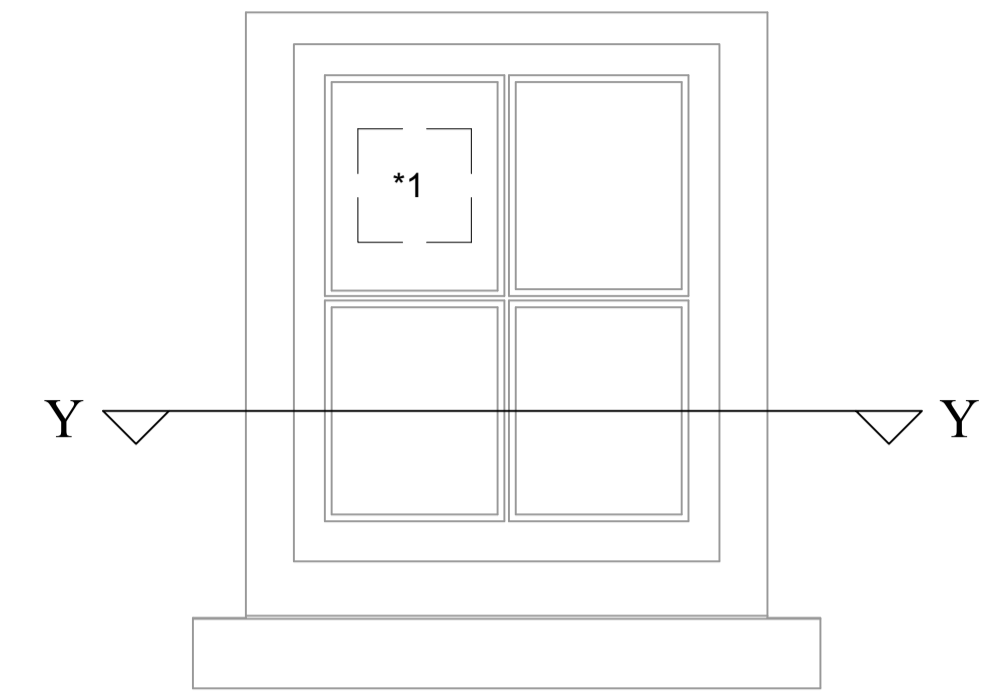


**MECHANICAL EXTRACT FAN \*1**

It is proposed that the extract fan currently located within one of the panes of glass will be replaced with new internal mechanical extract, through wall conduit and external vent cowl.



INTERNAL ELEVATION

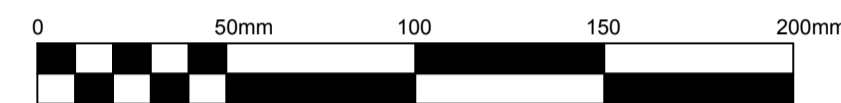


EXTERNAL ELEVATION



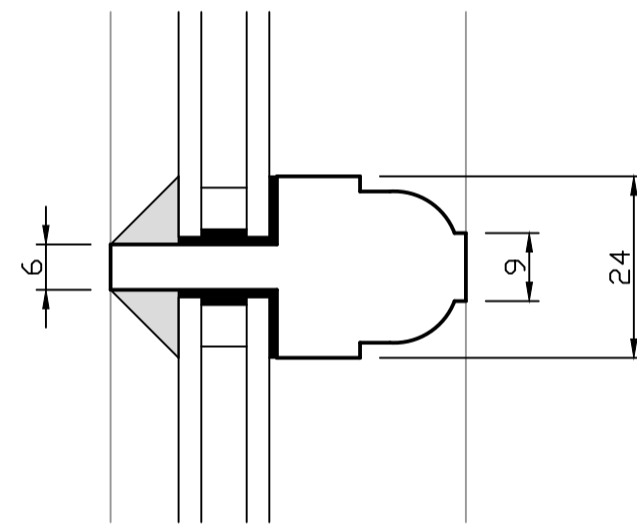
1:10 scale @ A1

**VERTICAL SECTION X**



1:2 scale @ A1

Bed double glazed sealed units in with Butyl bedding compound and then apply linseed oil putty over. Allow adequate time for putty to mature (at least a week) before painting over.



GLAZING DETAIL

1:1 scale @ A1

**Proposed Window to be Fixed Shut and Non Opening.**

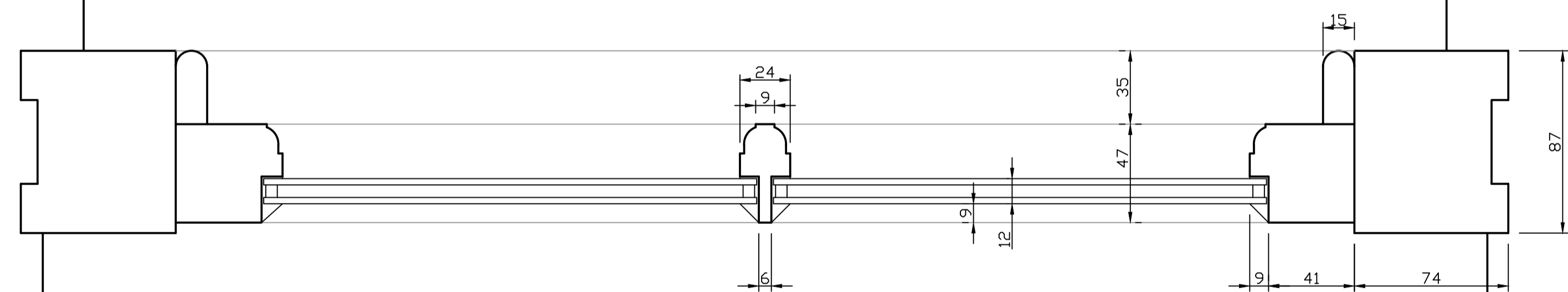
**GLAZING**

All glazing using Conservation Double Glazed Sealed Units achieving 1.4 W/m<sup>2</sup>K (overall thickness approx. 12mm). Putty finish externally, refer to 1:1 glazing bead detail to left.

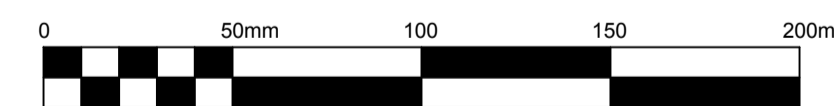
**JOINERY**

Windows made to measure by local joiner, using either joinery grade Siberian Larch, joinery grade Douglas Fir or Sapele. Joinery quality oak cill.

Windows to be suitably prepared and painted externally, colour to be decided, using microporous paint system, eggshell or gloss finish.



PLAN SECTION Y



1:2 scale @ A1

**WINDOW W.1. - PROPOSED**

**DAVID WILKINS**  
 ARCHITECTURAL CONSERVATION & DESIGN  
 SILVER MIST, ALFINGTON,  
 OTTERY ST MARY, EX11 1PA  
 TEL: 01404 851287  
 davidwilkinsacd@gmail.com

Client:	Sidmouth YMCA
Address:	Mill Street, Sidmouth, EX10 8DF
Project:	Replacement Windows
Drwg:	Window W.1. Sections (PROPOSED)
Scale:	1:2 and 1:10 @ A1
Date:	Jan 2024
Drwg. no:	1271/24/14
Rev:	A