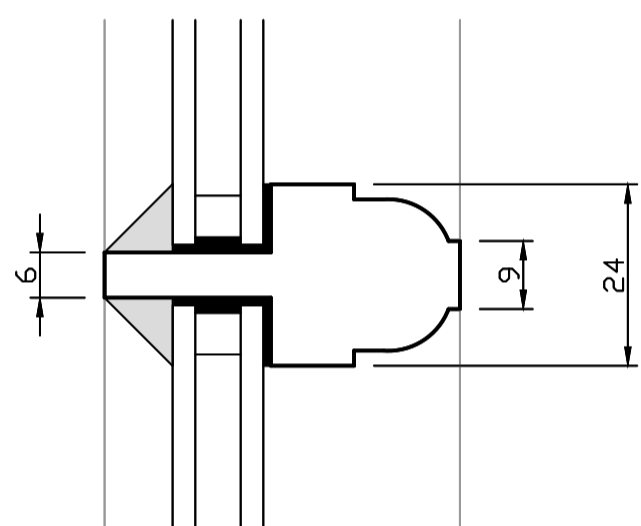


VERTICAL SECTION X



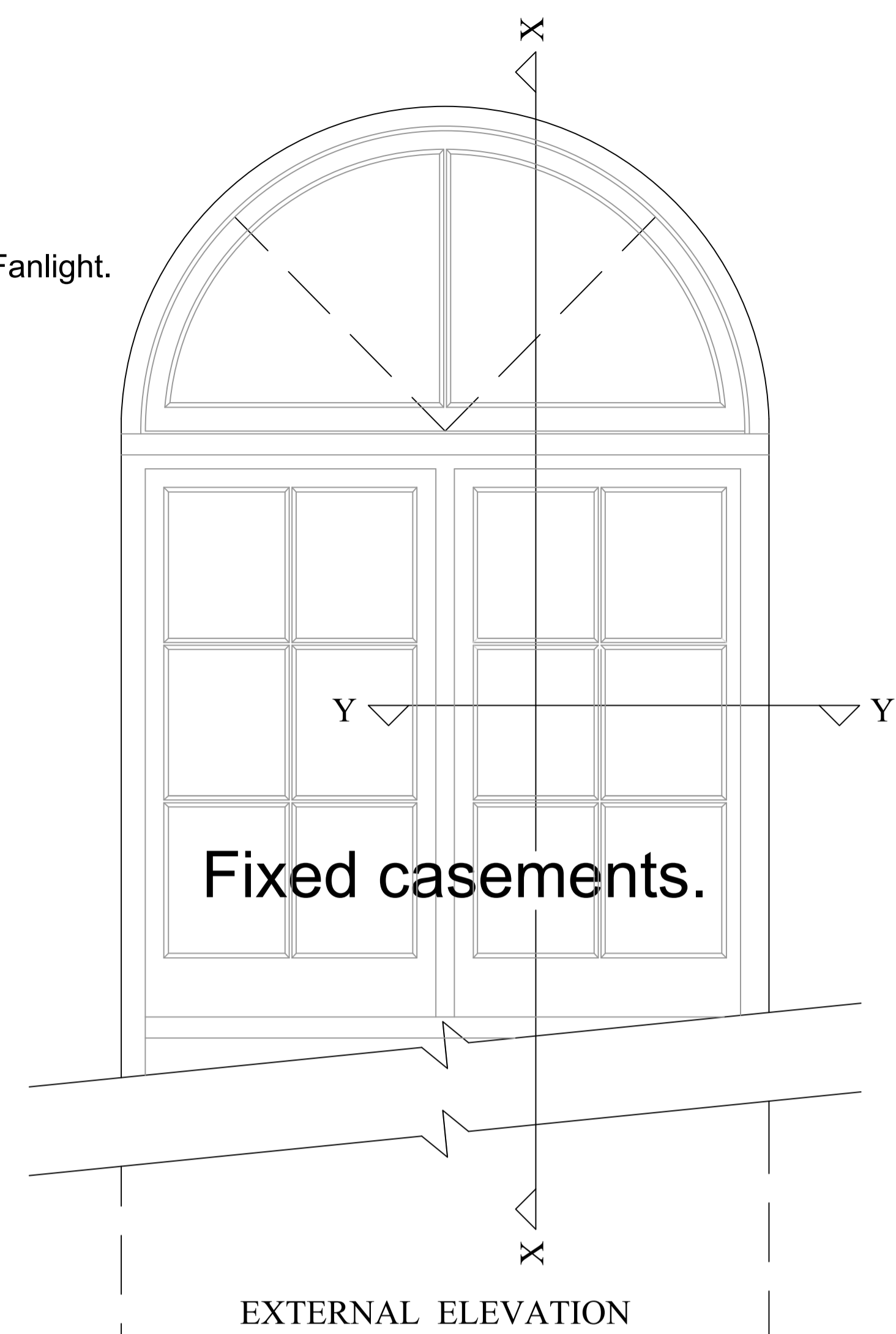
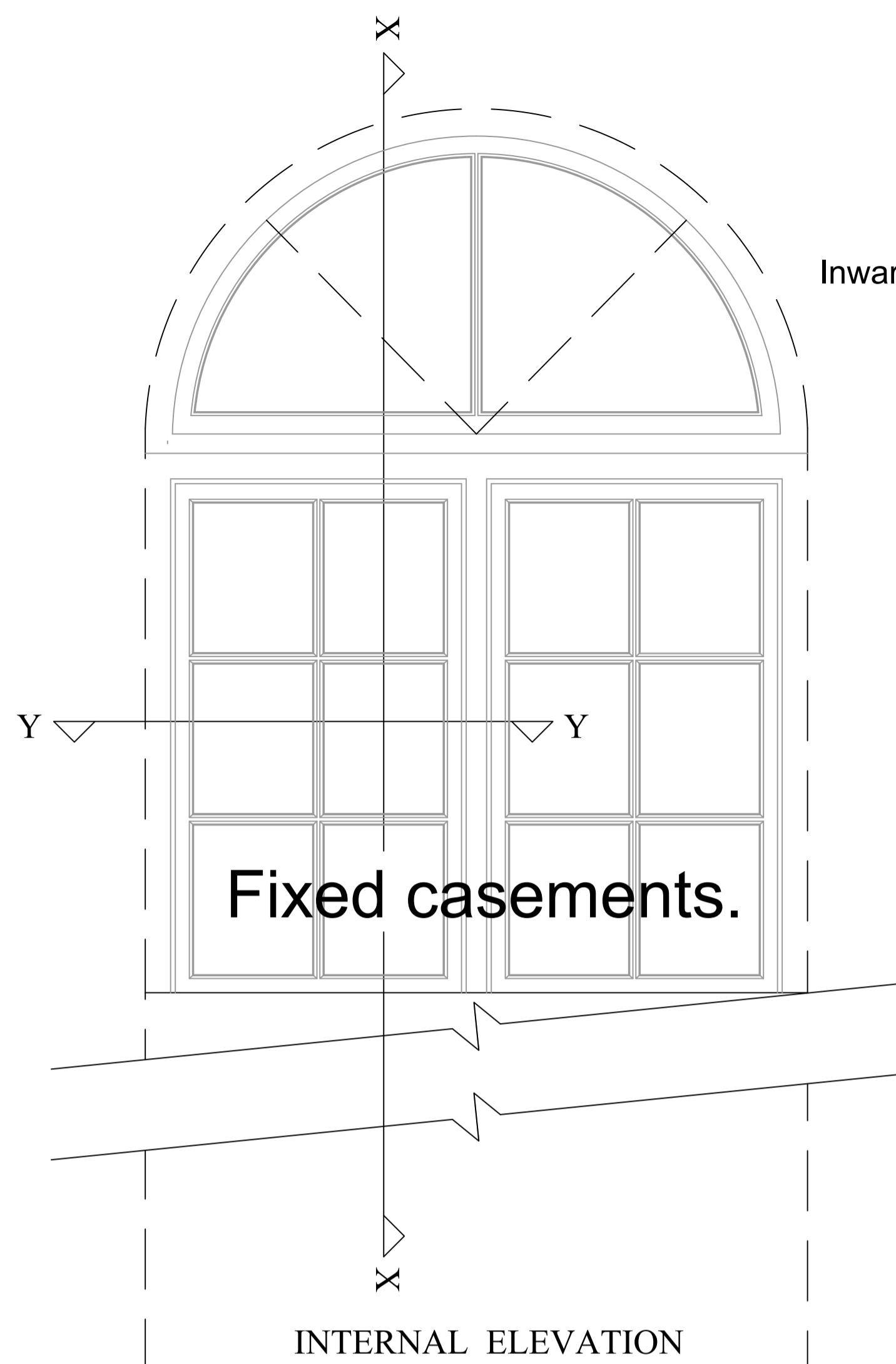
1:2 scale @ A1



GLAZING DETAIL

1:1 scale @ A1

Bed double glazed sealed units in with Butyl bedding compound and then apply linseed oil putty over. Allow adequate time for putty to mature (at least a week) before painting over.



1:10 scale @ A1

GLAZING

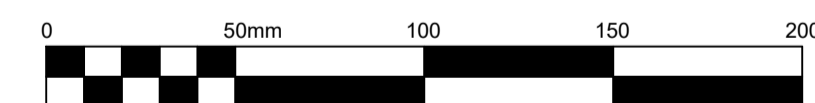
All glazing using Conservation Double Glazed Sealed Units achieving 1.4 W/m²K (overall thickness approx. 12mm). Putty finish externally, refer to 1:1 glazing bead detail to left.

JOINERY

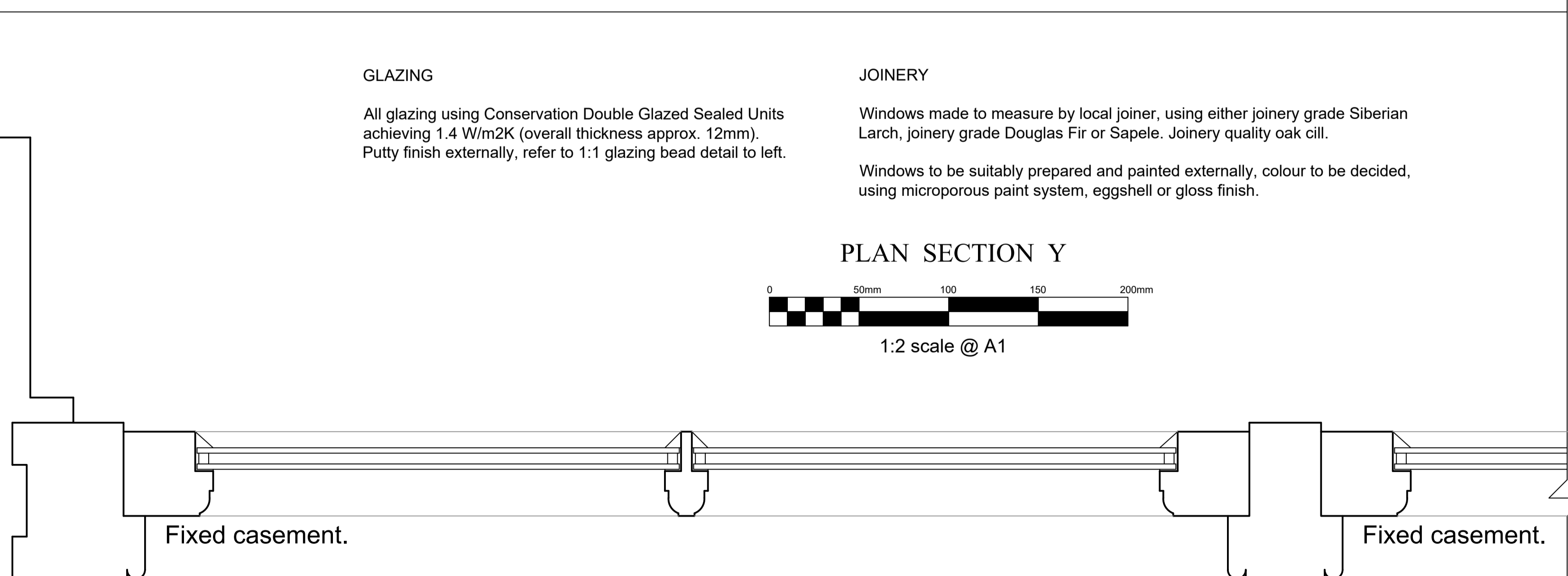
Windows made to measure by local joiner, using either joinery grade Siberian Larch, joinery grade Douglas Fir or Sapele. Joinery quality oak cill.

Windows to be suitably prepared and painted externally, colour to be decided, using microporous paint system, eggshell or gloss finish.

PLAN SECTION Y



1:2 scale @ A1



WINDOWS W.7, W.8, W.9, W.10 and W.11 - PROPOSED

DAVID WILKINS ARCHITECTURAL CONSERVATION & DESIGN SILVER MIST, ALFINGTON, OTTERY ST MARY, EX11 1PA TEL: 01404 851287 davidwilkinsacd@gmail.com	Client: Sidmouth YMCA
	Address: Mill Street, Sidmouth, EX10 8DF
	Project: Replacement Windows
	Drwg: Windows W.7, W.8, W.9, W.10 and W.11 Sections (PROPOSED)
	Scale: 1:2 and 1:10 @ A1 Date: Jan 2024
	Drwg. no: 1271/24/16 Rev: