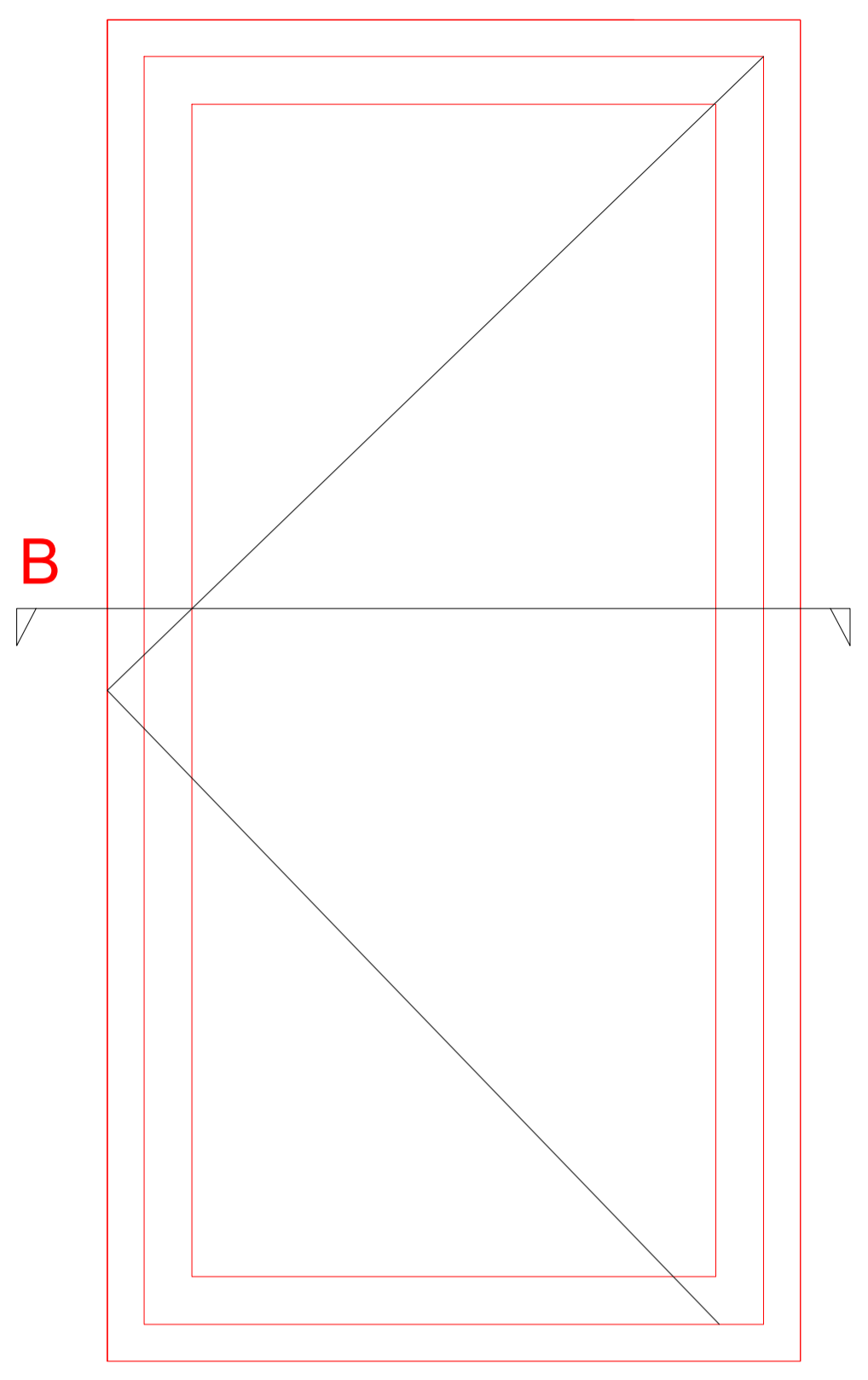
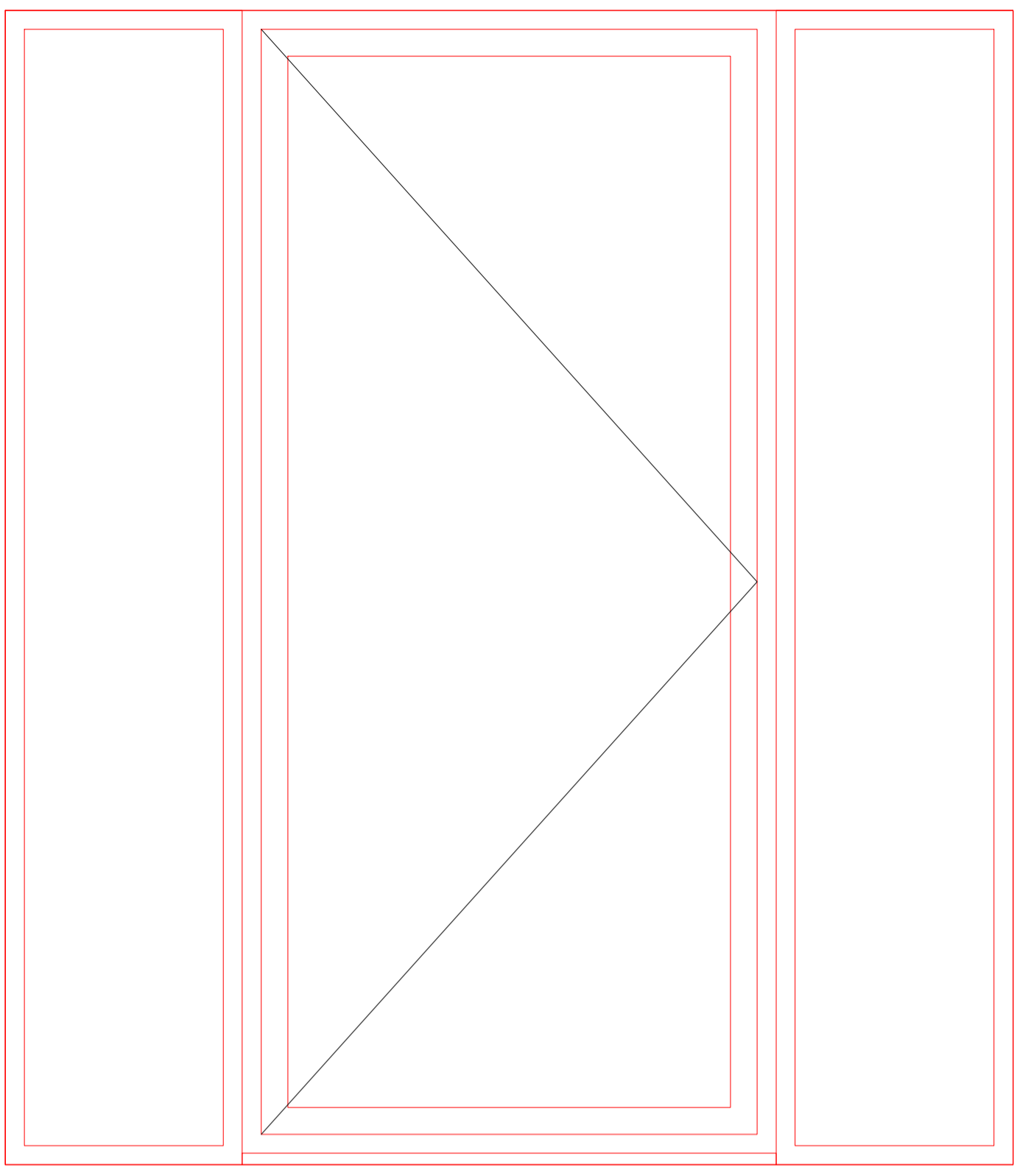


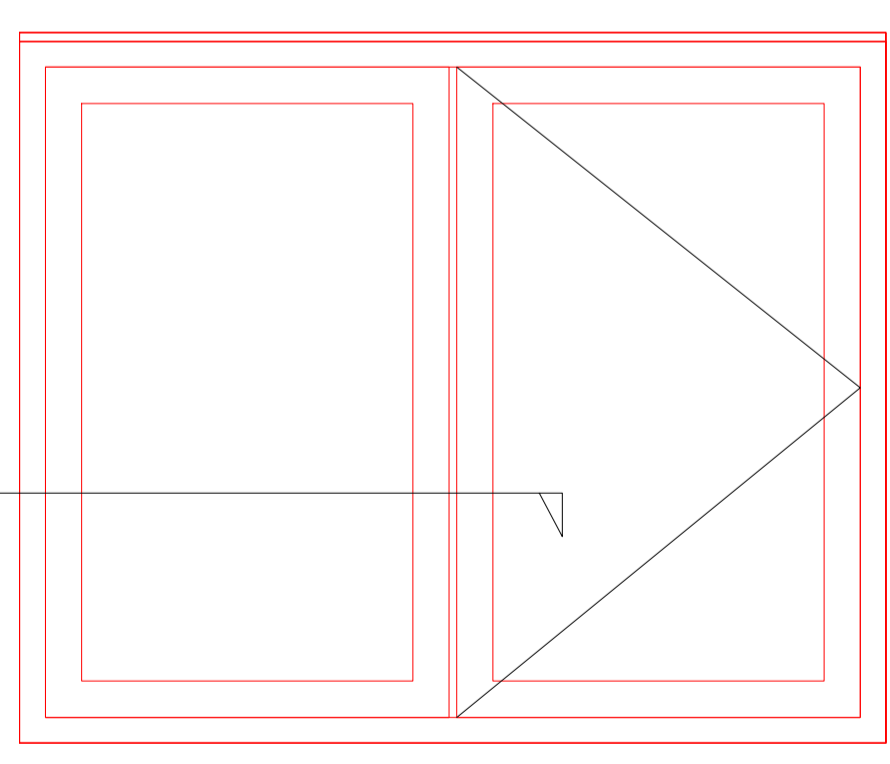
05



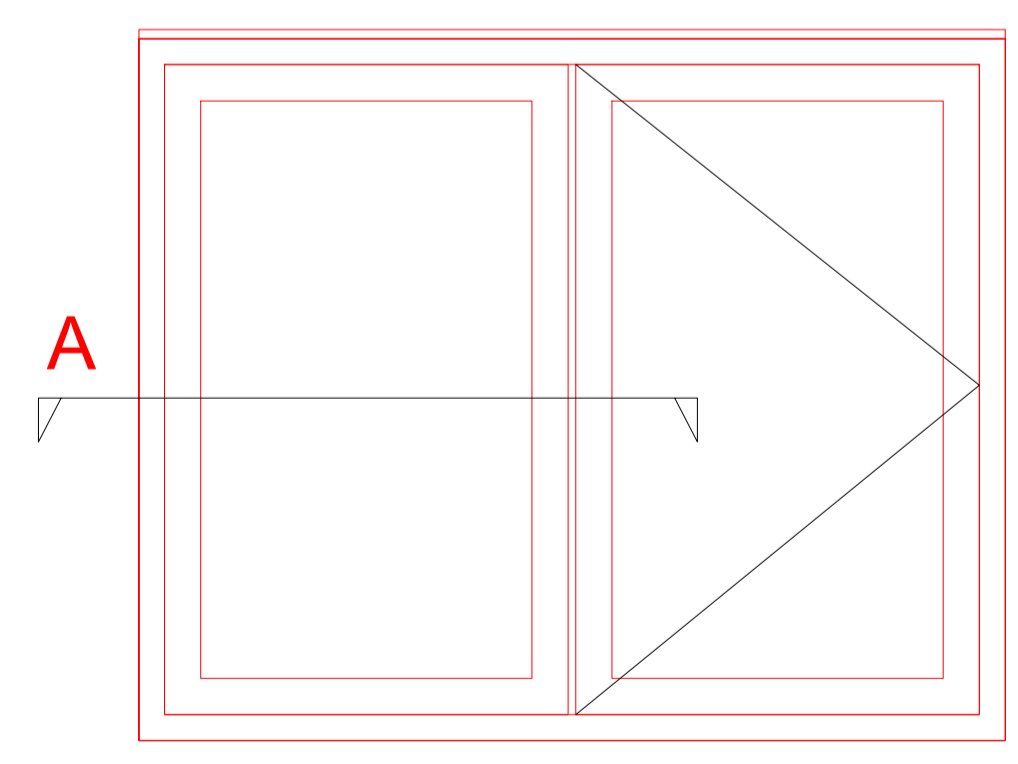
02



03



04



01

1. All dimensions in millimetres (mm) and levels in metres (m) unless noted otherwise.
2. This drawing to be read in conjunction with all other relevant drawings and specification.
3. All work to comply with the relevant British Standards, Codes of Practice and the Building Regulations.

Revisions:

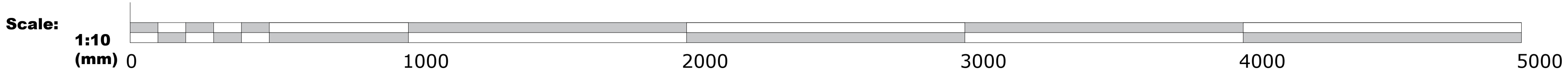
Customer: Mr Dan Goodman
Larks Barn
Lichfield Road
RUGELEY
WS15 3QQ

Drawing Title:
Proposed windows and doors

Drawing No: 2685/PP/11 Contract No: NH2685BD

Scale: 1:10 Starting Date:

Drawn: E.Radinaite Size: A1 Revision: .
Ref No: .



© Crown copyright. All rights reserved.
License numbers 010031673 and 100042205