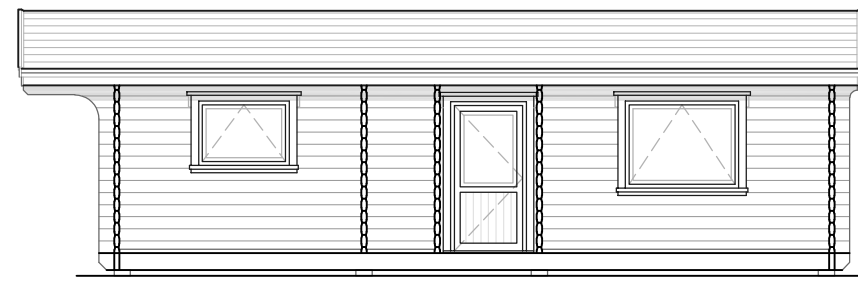
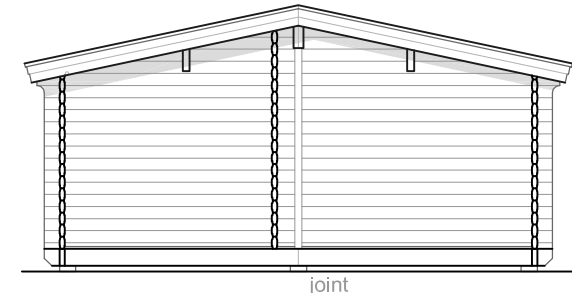


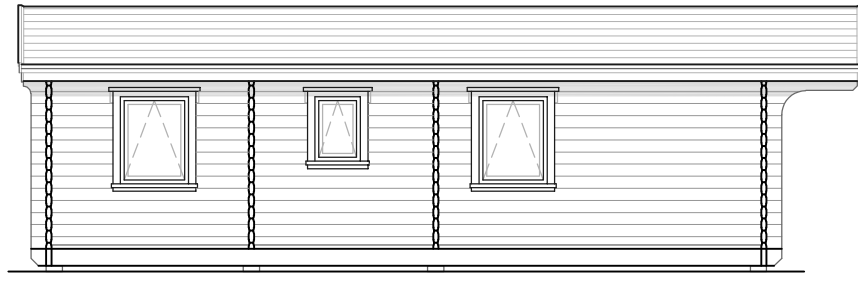
West Elevation



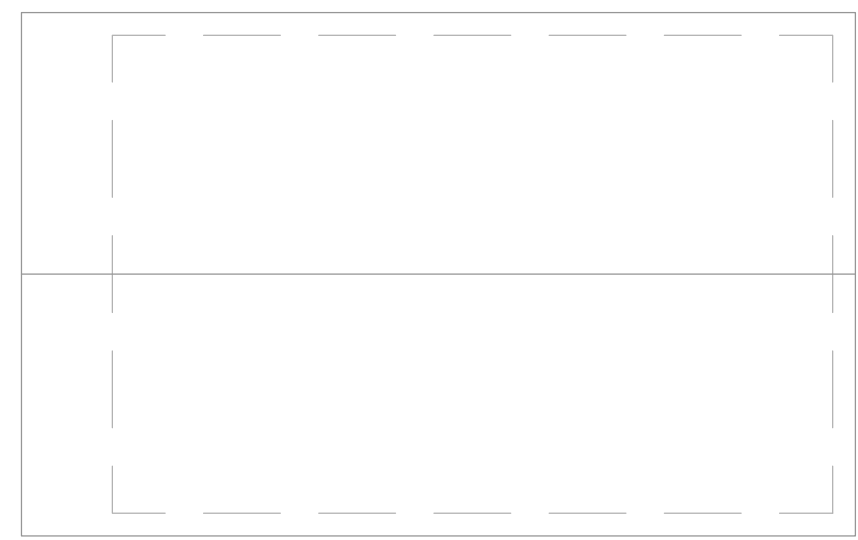
South Elevation



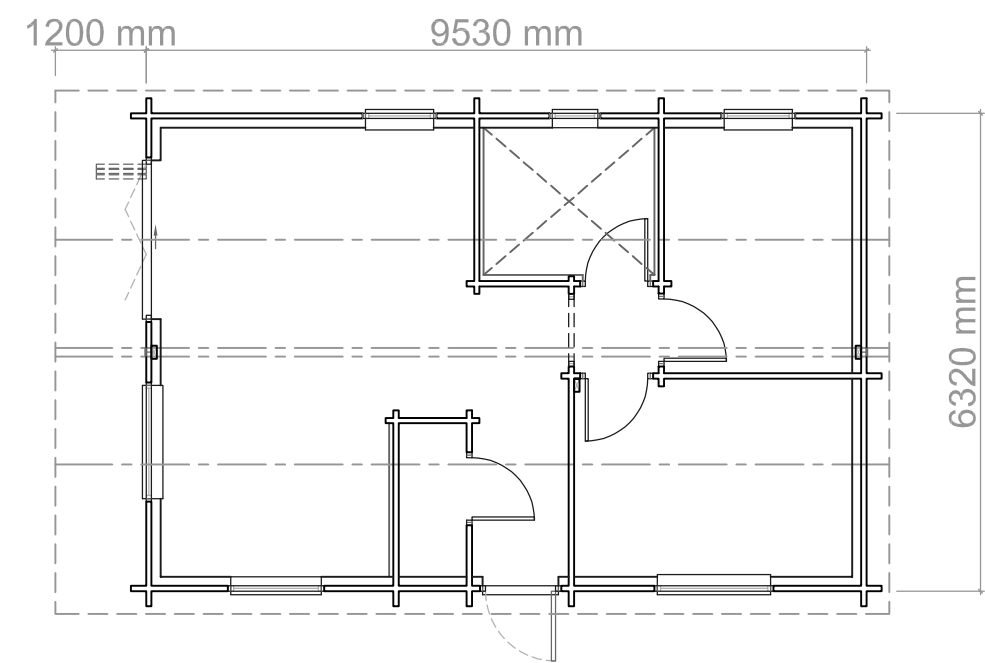
East Elevation



North Elevation



Roof Plan



Floor Plan



Client			
Mr and Mrs P. Brennan, Carpwell Cottage, Ludlows Lane, Hatton, Warwick, CV35 7HX			
Project			
Transportable mobile home to BS3632			
Floor Plan and Elevations			
Scale (for Planning purposes only)	Drawn	Checked	Date
1:100 @ A3	kk		April 2024
The copyright of this drawing remains the property of Norwegian Log Buildings Ltd and must not be transferred to a third party without the written permission of the copyright holders. © Copyright.			
Drg. No.	224010-12	Rev.	