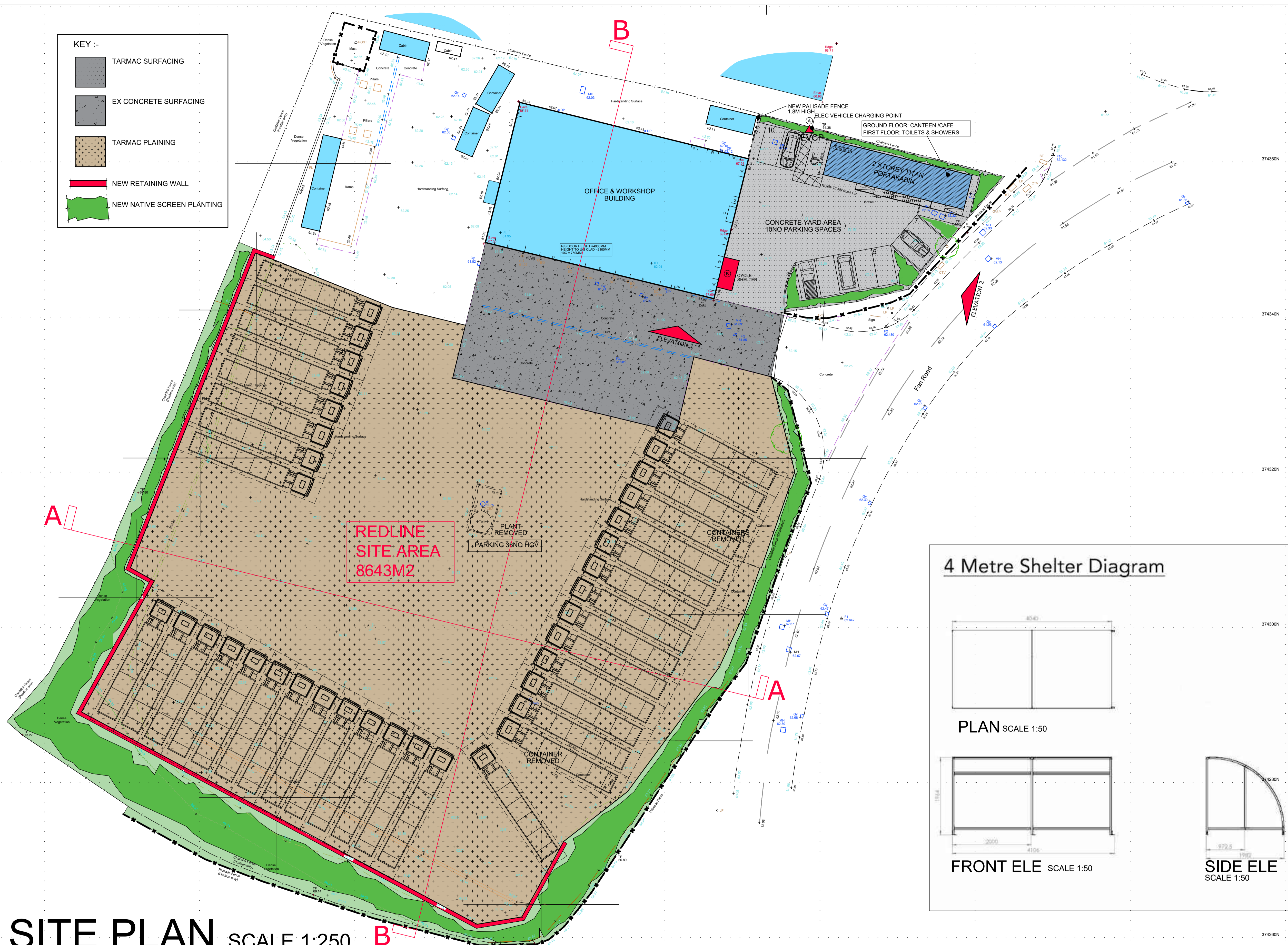


KEY :-

	TARMAC SURFACING
	EX CONCRETE SURFACING
	TARMAC PLAINING
	NEW RETAINING WALL
	NEW NATIVE SCREEN PLANTING



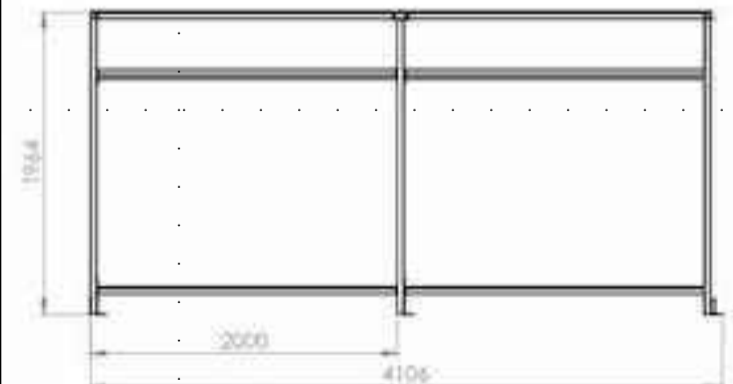
A EVCP :
One non-residential charging point shall be supplied by an independent 32 amp radial circuit and equipped with a type 2, mode 3, 7-pin socket conforming to IEC62196-2. Alternative provision to this specification must be approved in writing, by the Local Planning Authority. The electric vehicle charging point shall be provided in accordance with the stated criteria prior to occupation and shall be maintained for the life of the approved development.

B Budget Cycle Shelter
Description
Safe and secure storage at a fantastic price
Looking for an affordable cycle shelter for your students or staff? This traditional style bicycle parking shelter is perfect for every budget. With a modern curved design, it is very affordable, as well as sturdy, durable and functional. The clear panels provide protection from the elements, and reduce the risk of theft and vandalism so maintenance is easier.
Available in two sizes, the 2-metre cycle shelter houses up to 6 bicycles. The 4-metre cycle shelter will secure up to 10 bikes at a time.
To further increase security and complete your cycle parking area, add galvanised toast racks with bolts to securely fix to the ground.
Certified Made in Britain - Manufactured by Shelters4Less in Poole, Dorset
Strong steel frame powder coated in colour Grey RAL7035
Anti-corrosion surface treatment guarantees your shelter for 5 years
UV stabilised clear polycarbonate roof/back panels
Complies with secure storage required by the Code for Sustainable Homes
Easy self-assembly with clear instructions and tools provided
Specification
4m Shelter Dimensions: H1976 x L4102 x D2048
Steel frame, zinc and epoxy powder coated to BS EN 12205-1:2004
40mm x 40mm mild steel hollow box section
Glazing: UV stabilised 2mm clear polycarbonate*
Toast Racks Material: 50mm diameter mild steel tube (2mm thick)
Toast Racks are supplied 'Triplex' multi-layer powder coated
*Supplied with roof and back panels only. Side panels are not included but can be purchased separately if required (see price grid)

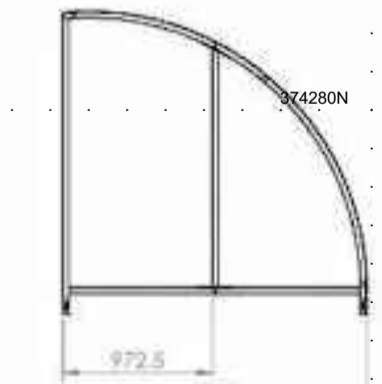
4 Metre Shelter Diagram



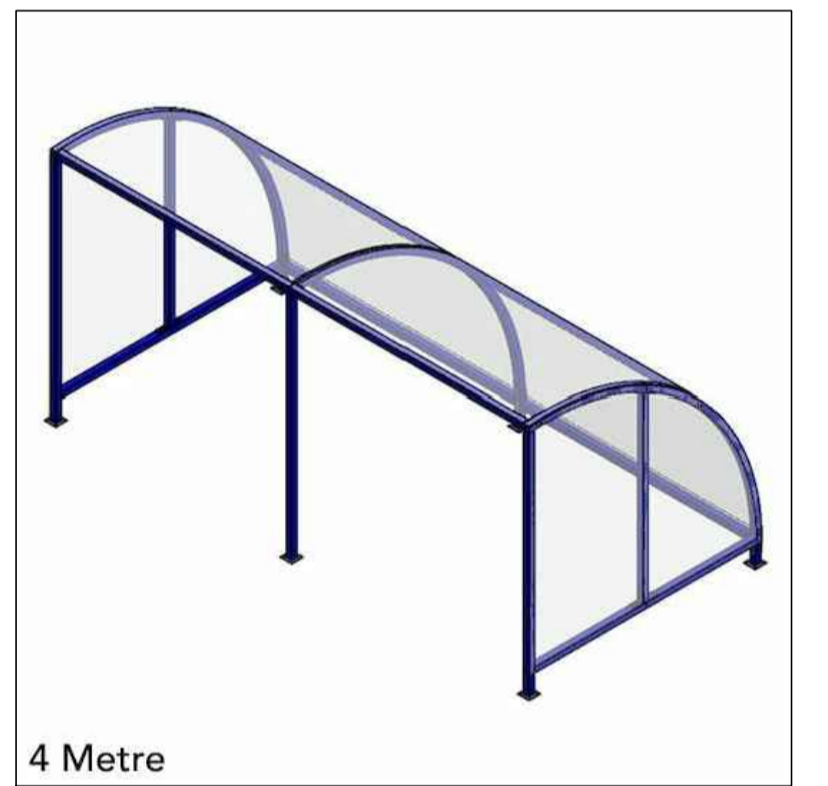
PLAN SCALE 1:50



FRONT ELE SCALE 1:50



SIDE ELE SCALE 1:50



4 Metre



SITE PLAN SCALE 1:250



1. THIS DRAWING AND THE COPYRIGHTS AND PATENTS THEREIN ARE THE PROPERTY OF NYP ARCHITECTURAL SERVICES LTD REGISTERED IN ENGLAND AND WALES No. 4631338 AND MAY BE USED OR REPRODUCED ONLY UNDER CONTRACT.
2. CONTRACTORS AND SUB-CONTRACTORS MUST CHECK AND AGREE ALL DIMENSIONS BEFORE PREPARING SHOP DRAWINGS OR COMMENCING WORK ON SITE.
3. CONTRACTORS ARE RESPONSIBLE FOR INFORMING THE DESIGNER OF ANY DISCREPANCY DISCOVERED ON THIS DRAWING OR BETWEEN THIS DRAWING AND ANY OTHER RELATED DOCUMENT ISSUED UNDER THE STANDARD FORM OF CONTRACT IN RESPECT OF THE WORK.
4. WRITTEN DIMENSIONS ONLY ARE TO BE USED FROM THIS DRAWING. IF IN ANY DOUBT ASK FOR CLARIFICATION.

Notes.

Revisions.			Revisions.		
Date	Suffix	Description	Date	Suffix	Description

NYP ARCHITECTURAL SERVICES LIMITED 88C, Innovation Way, Barnsley, S75 1JL. Tel: 01226 200893. E-mail: scott@nypas.co.uk / stephen@nypas.co.uk					
Project.	RICHARD LESTER TRANSPORT FAN ROAD, STAVELEY CHESTERFIELD, S43-3PT			Client.	RICHARD LESTER TRANSPORT
Drawing Title.	BUILDING REGULATIONS DRAWING OVERALL SITE PLAN			Date.	FEB 2024
Ref.	104-58	Dwg. No.	B03	Scale.	AS INDICATED
Rev.					

SHEET SIZE: A1