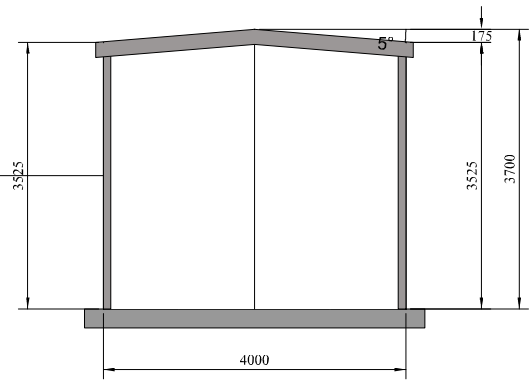
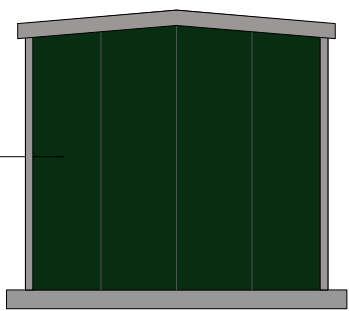


<p>GENERAL NOTES:</p> <p>1. ALL CLADDING TO BE CE MARKED AND HOT-DIP GALVANISED TO BS EN 10346:2009.</p> <p>2. ALL STEEL (INCLUDING PURLINS) TO BE CE MARKED AND TO EXECUTION CLASS 2 AS PER EN 1090 - 1:2009 AND HOT-DIP GALVANISED TO BS EN 10346:2009 Fe E390G-Z275.</p>	<p>3. DESIGN LOADS TO BS 6399-1:1997 AND BS 6399-3:1997. DEAD LOADS: SW CONSIDERED INTERNALLY WITHIN PROGRAMME</p> <p>-CEILINGS AND SERVICES = 0.049 kN/m²</p> <p>-RAFTER CLADDINGS AND PURLINS = 0.141 kN/m²</p> <p>-COLUMN CLADDINGS AND RAILS = 0.122 kN/m²</p> <p>-SNOW LOAD = 0.699303885 kN/m²</p> <p>-LIVE LOAD = 0.6 kN/m²</p>	<p>4. WIND LOAD ACCORDING TO BS 6399-2:1997 WITH THE FOLLOWING PARAMETERS:</p> <p>BASIC WIND SPEED = 22 m/s</p> <p>SITE ALTITUDE = 166.20259 m</p> <p>SITE ALTITUDE FACTOR = 1.16620259</p> <p>SEASONAL FACTOR = 1.0 DIRECTION FACTOR = 1.0</p> <p>SITE DISTANCE FROM SEA = 10-100 km</p> <p>5. ALL STEEL TO HAVE YIELD STRENGTH Py = 450 MPa.</p>
--	---	--

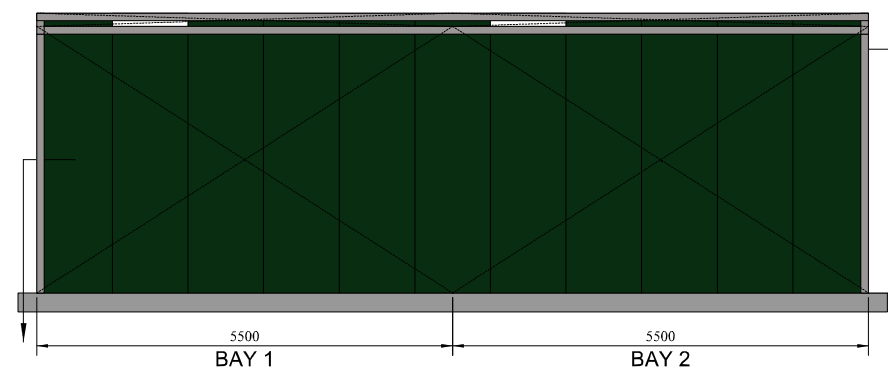


Wall Cladding
AS24 1000 Wall 0.5
(Colour: Juniper Green)

FRONT ELEVATION (EXTERNAL)



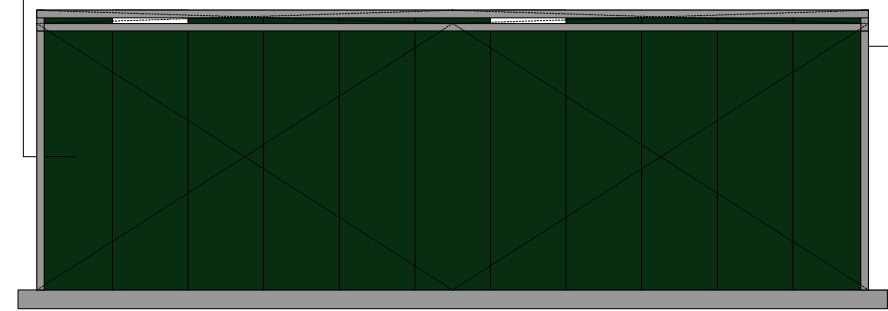
BACK ELEVATION



Wall Cladding
AS24 1000 Wall 0.5
(Colour: Juniper Green)

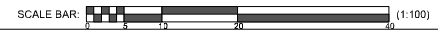
LEFT ELEVATION VIEWED FROM INSIDE

Roof Cladding
AS30 1000 Box Roof 0.7
(Colour: Juniper Green)



BAY 1 BAY 2

RIGHT ELEVATION



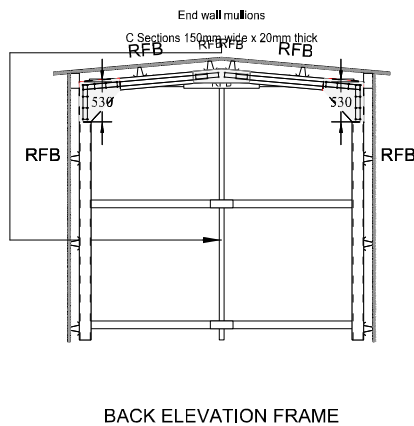
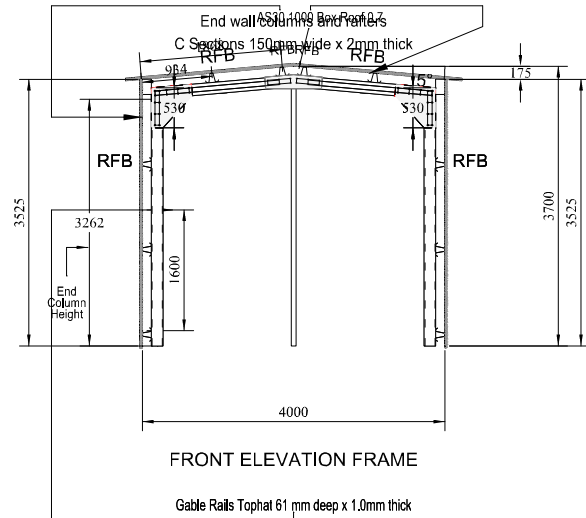
DESIGN SUPPLIED BY: MURRAY STEEL BUILDINGS
 ADDRESS: MURRAY HOUSE 13 ABBEY PARK PLACE DUNFERMLINE FIFE
 EMAIL: LOUISE@MURRAYSTEELBUILDINGS.COM
 PHONE: 01383 668820

CLIENT: MATT SILVESTRE
 ADDRESS: 0, RG29 1SD
 EMAIL: INFO@THEWOODLANDPIGCO.CO.UK
 PHONE: 0 - 07883 445234

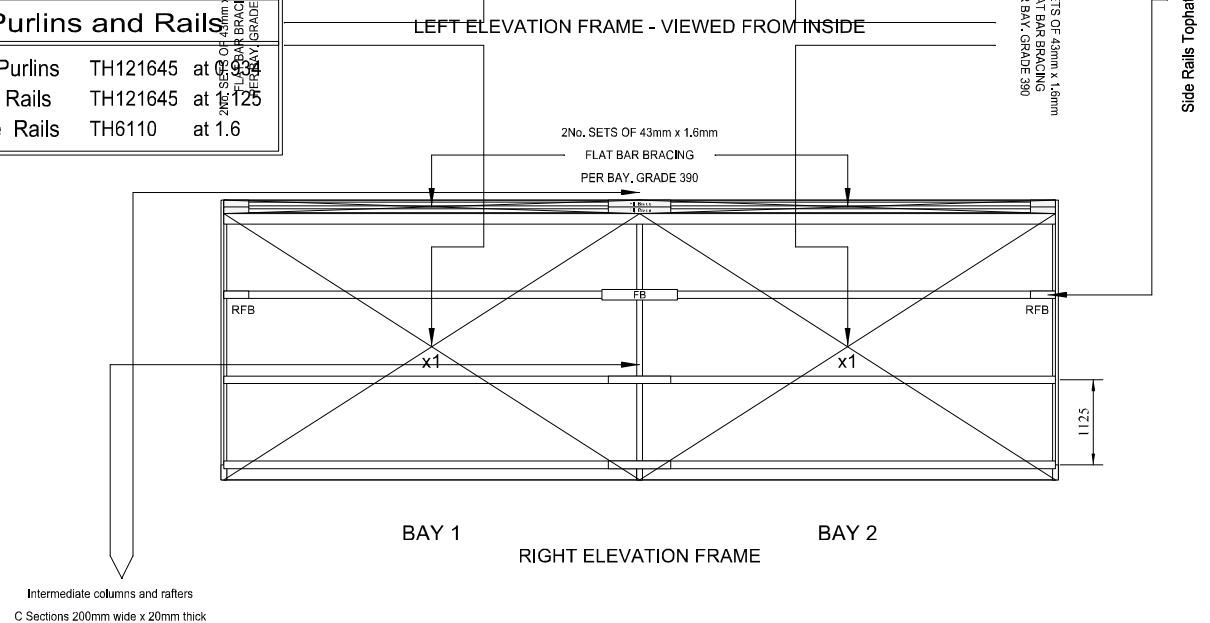
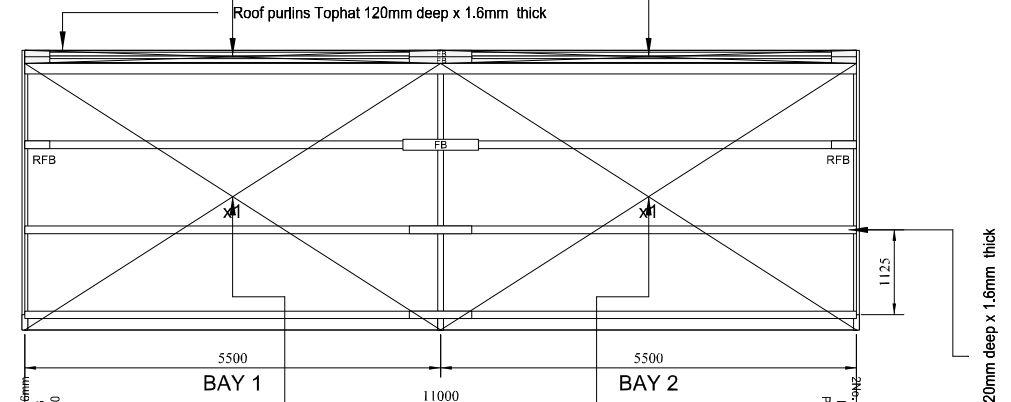
DRAWING TITLE: ELEVATION ALL
 DRAWING NUMBER: SMSB-0222
 SHEET NUMBER: 01
 DRAWING REVISION NUMBER: 00

SCALE: 1:100

<p>GENERAL NOTES:</p> <p>1. ALL CLADDING TO BE CE MARKED AND HOT-DIP GALVANISED TO BS EN 10346:2009.</p> <p>2. ALL STEEL (INCLUDING PURLINS) TO BE CE MARKED AND TO EXECUTION CLASS 2 AS PER EN 1090 - 1:2009 AND HOT-DIP GALVANISED TO BS EN 10346:2009 Fe E390G-Z275.</p>	<p>3. DESIGN LOADS TO BS 6399-1:1997 AND BS 6399-3:1997. DEAD LOADS: SW CONSIDERED INTERNALLY WITHIN PROGRAMME</p> <p>-CEILINGS AND SERVICES = 0.049 kN/m²</p> <p>-RAFTER CLADDINGS AND PURLINS = 0.141 kN/m²</p> <p>-COLUMN CLADDINGS AND RAILS = 0.122 kN/m²</p> <p>-SNOW LOAD = 0.699 kN/m²</p> <p>-LIVE LOAD = 0.6 kN/m²</p>	<p>4. WIND LOAD ACCORDING TO BS 6399-2:1997 WITH THE FOLLOWING PARAMETERS:</p> <p>BASIC WIND SPEED = 22 m/s</p> <p>SITE ALTITUDE = 166.20259 m</p> <p>SITE ALTITUDE FACTOR = 1.16620259</p> <p>SEASONAL FACTOR = 1.0 DIRECTION FACTOR = 1.0</p> <p>SITE DISTANCE FROM SEA = 10-100 km</p> <p>5. ALL STEEL TO HAVE YIELD STRENGTH Py = 450 MPa.</p>
--	---	--



Purlins and Rails	
Roof Purlins	TH121645 at 1125
Side Rails	TH121645 at 1125
Gable Rails	TH6110 at 1.6



SCALE BAR: 0 5 10 20 30 (1:100)

DESIGN SUPPLIED BY: MURRAY STEEL BUILDINGS
 ADDRESS: MURRAY HOUSE 13 ABBEY PARK PLACE DUNFERMLINE FIFE
 EMAIL: LOUISE@MURRAYSTEELBUILDINGS.COM
 PHONE: 01383 668820

CLIENT: MATT SILVESTRE
 ADDRESS: 0, RG29 1SD
 EMAIL: INFO@THEWOODLANDPIGCO.CO.UK
 PHONE: 0 - 07883 445234

DRAWING TITLE: ELEVATION ALL FRAME
 DRAWING NUMBER: SMSB-0222
 SHEET NUMBER: 06
 DRAWING REVISION NUMBER: 00

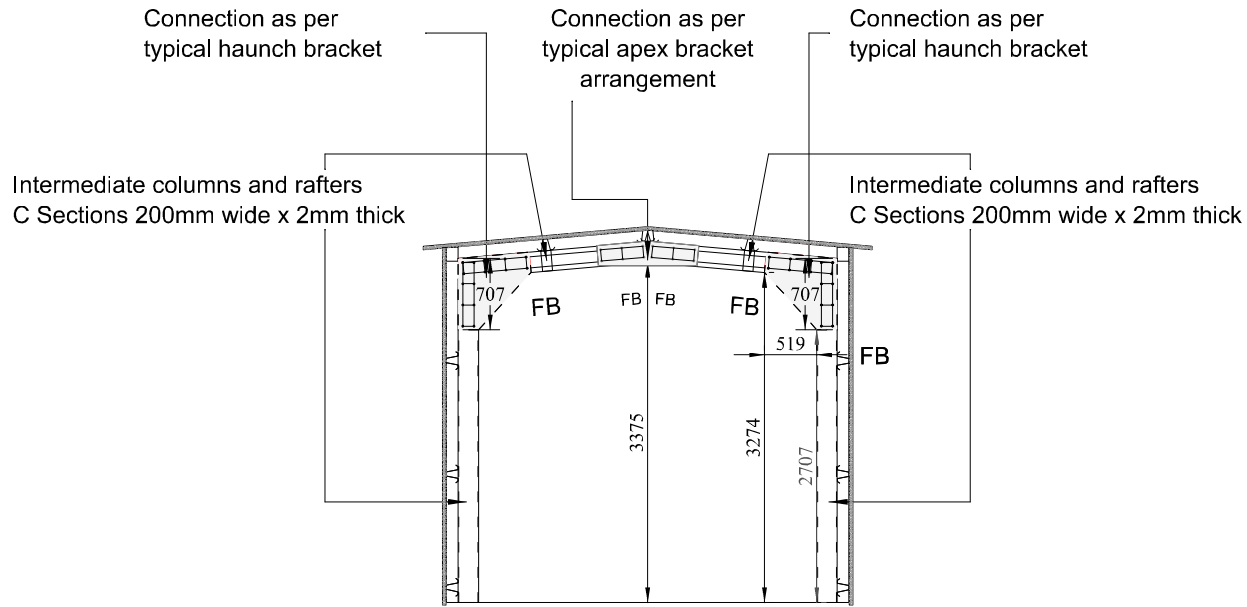
SCALE: 1:100

GENERAL NOTES:

1. ALL CLADDING TO BE CE MARKED AND HOT-DIP GALVANISED TO BS EN 10346:2009.
 2. ALL STEEL (INCLUDING PURLINS) TO BE CE MARKED AND TO EXECUTION CLASS 2 AS PER EN 1090 - 1:2009 AND HOT-DIP GALVANISED TO BS EN 10346:2009 Fe E390G-Z275.

3. DESIGN LOADS TO BS 6399-1:1997 AND BS 6399-3:1997. DEAD LOADS: SW CONSIDERED INTERNALLY WITHIN PROGRAMME
 -CEILINGS AND SERVICES = 0.049 kN/m²
 -RAFTER CLADDINGS AND PURLINS = 0.141 kN/m²
 -COLUMN CLADDINGS AND RAILS = 0.122 kN/m²
 -SNOW LOAD = 0.699303885 kN/m²
 -LIVE LOAD = 0.6 kN/m²

4. WIND LOAD ACCORDING TO BS 6399-2:1997 WITH THE FOLLOWING PARAMETERS:
 BASIC WIND SPEED = 22 m/s
 SITE ALTITUDE = 166.20259 m
 SITE ALTITUDE FACTOR = 1.16620259
 SEASONAL FACTOR = 1.0 DIRECTION FACTOR = 1.0
 SITE DISTANCE FROM SEA = 10-100 km
 5. ALL STEEL TO HAVE YIELD STRENGTH $P_y = 450$ MPa.



DESIGN SUPPLIED BY: MURRAY STEEL BUILDINGS
 ADDRESS: MURRAY HOUSE 13 ABBEY PARK PLACE DUNFERMLINE FIFE
 EMAIL: LOUISE@MURRAYSTEELBUILDINGS.COM
 PHONE: 01383 668820

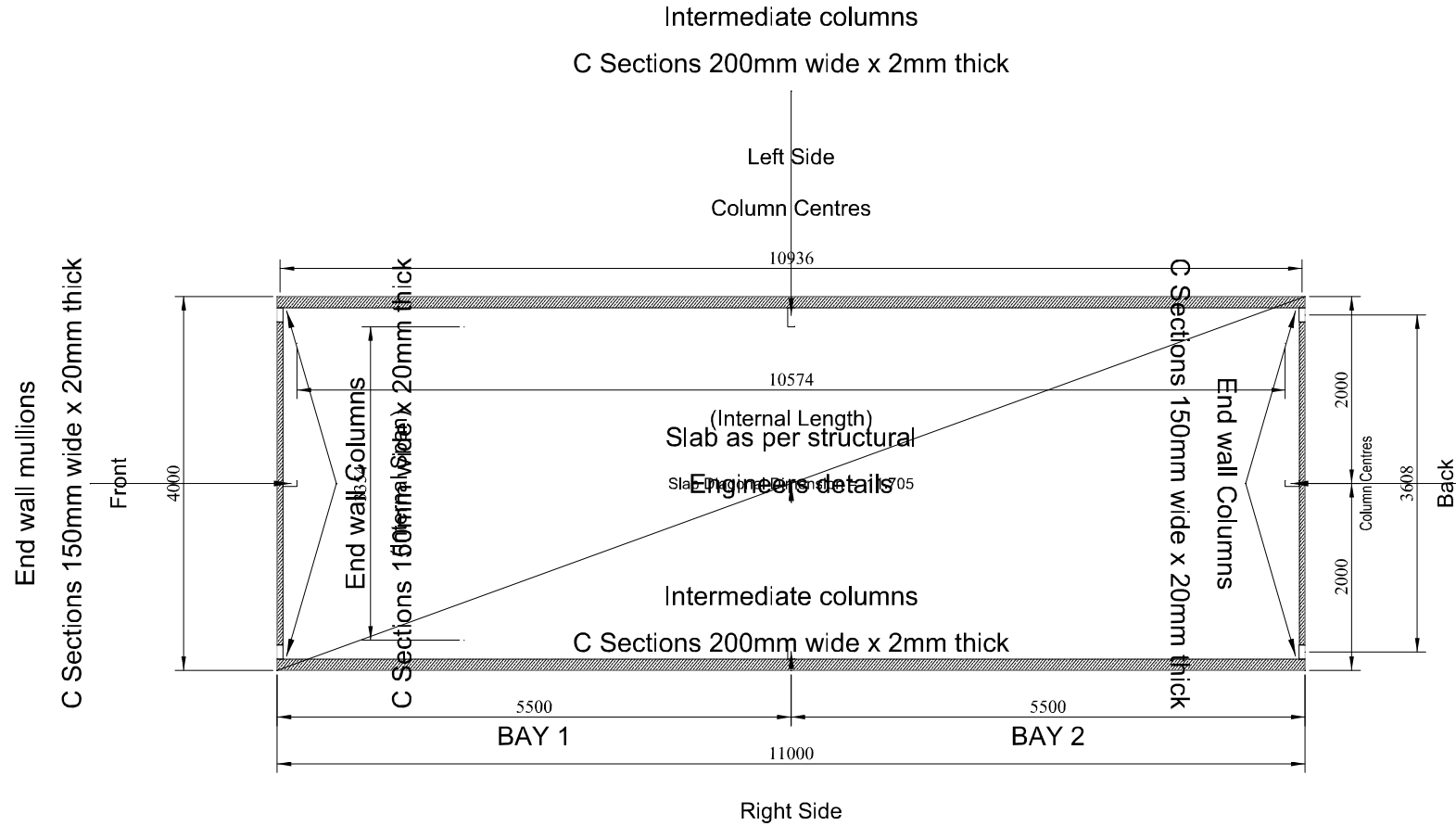
CLIENT: MATT SILVESTRE
 ADDRESS: 0, RG29 1SD
 EMAIL: INFO@THEWOODLANDPIGCO.CO.UK
 PHONE: 0 - 07883 445234

DRAWING TITLE: CROSS SECTION
 DRAWING NUMBER: SMSB-0222
 SHEET NUMBER: 11
 DRAWING REVISION NUMBER: 00

SCALE: 1:75

GENERAL NOTES

1. ALL CLADDING TO BE CE MARKED AND HOT-DIP GALVANISED TO BS EN 10346:2009.
2. ALL STEEL (INCLUDING PURLINS) TO BE CE MARKED AND TO EXECUTION CLASS 2 AS PER EN 1090 - 1:2009 AND HOT-DIP GALVANISED TO BS EN 10346:2009 Fe E390G-Z275.
3. DESIGN LOADS TO BS 6399-1:1997 AND BS 6399-3:1997. DEAD LOADS: SW CONSIDERED INTERNALLY WITHIN PROGRAMME
 -CEILINGS AND SERVICES = 0.049 kN/m²
 -RAFTER CLADDINGS AND PURLINS = 0.141 kN/m²
 -COLUMN CLADDINGS AND RAILS = 0.122 kN/m²
 -SNOW LOAD = 0.699303885 kN/m²
 -LIVE LOAD = 0.6 kN/m²
4. WIND LOAD ACCORDING TO BS 6399-2:1997 WITH THE FOLLOWING PARAMETERS:
 BASIC WIND SPEED = 22 m/s
 SITE ALTITUDE = 166.20259 m
 SITE ALTITUDE FACTOR = 1.16620259
 SEASONAL FACTOR = 1.0
 DIRECTION FACTOR = 1.0
 SITE DISTANCE FROM SEA = 10-100 km
5. ALL STEEL TO HAVE YIELD STRENGTH Py = 450 MPa.



DESIGN SUPPLIED BY: MURRAY STEEL BUILDINGS

ADDRESS: MURRAY HOUSE 13 ABBEY PARK PLACE DUNFERMLINE FIFE

EMAIL: LOUISE@MURRAYSTEELBUILDINGS.COM

PHONE: 01383 668820

CLIENT: MATT SILVESTRE

ADDRESS: 0, RG29 1SD

EMAIL: INFO@THEWOODLANDPIGCO.CO.UK

PHONE: 0 - 07883 445234

DRAWING TITLE: FLOOR PLAN

DRAWING NUMBER: SMSB-0222

SHEET NUMBER: 12

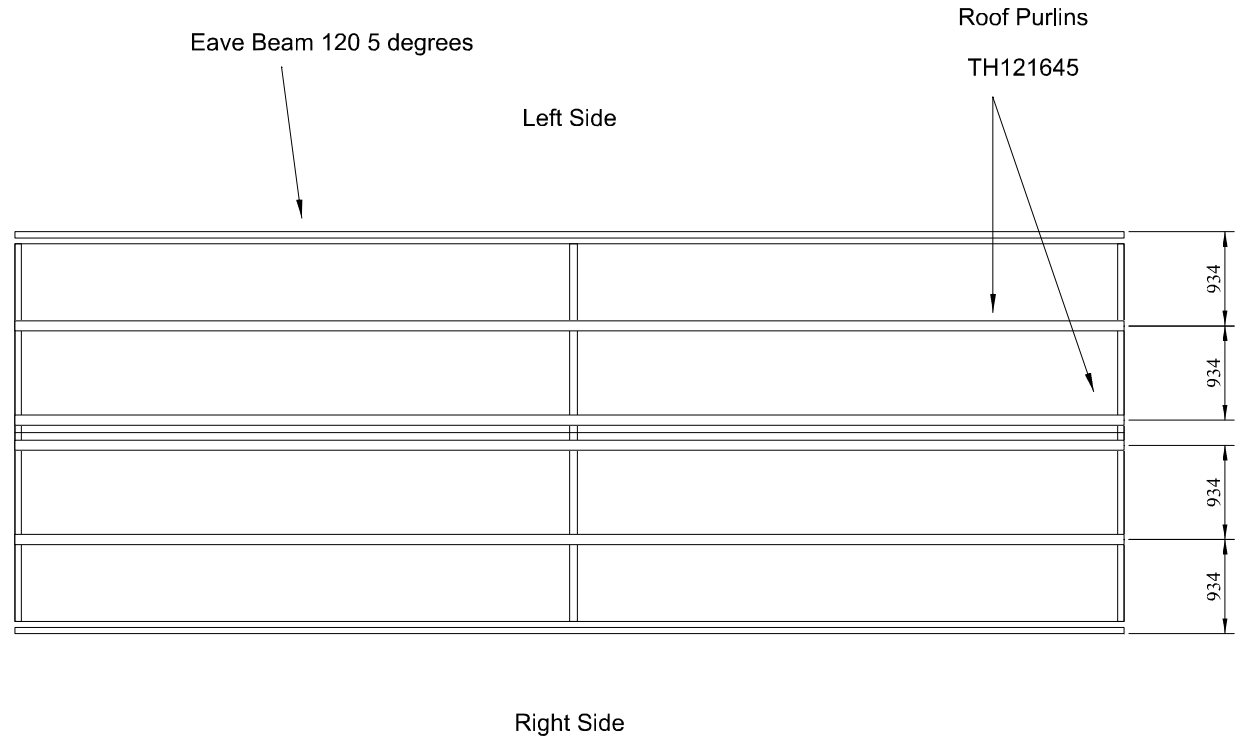
DRAWING REVISION NUMBER: 00

SCALE: 1:75

GENERAL NOTES

1. ALL CLADDING TO BE CE MARKED AND HOT-DIP GALVANISED TO BS EN 10346:2009.
2. ALL STEEL (INCLUDING PURLINS) TO BE CE MARKED AND TO EXECUTION CLASS 2 AS PER EN 1090 - 1:2009 AND HOT-DIP GALVANISED TO BS EN 10346:2009 Fe E390G-Z275.
3. DESIGN LOADS TO BS 6399-1:1997 AND BS 6399-3:1997. DEAD LOADS: SW CONSIDERED INTERNALLY WITHIN PROGRAMME
 -CEILINGS AND SERVICES = 0.049 kN/m²
 -RAFTER CLADDINGS AND PURLINS = 0.141 kN/m²
 -COLUMN CLADDINGS AND RAILS = 0.122 kN/m²
 -SNOW LOAD = 0.699303885 kN/m²
 -LIVE LOAD = 0.6 kN/m²
4. WIND LOAD ACCORDING TO BS 6399-2:1997 WITH THE FOLLOWING PARAMETERS:
 BASIC WIND SPEED = 22 m/s
 SITE ALTITUDE = 166.20259 m
 SITE ALTITUDE FACTOR = 1.16620259
 SEASONAL FACTOR = 1.0
 DIRECTION FACTOR = 1.0
 SITE DISTANCE FROM SEA = 10-100 km
5. ALL STEEL TO HAVE YIELD STRENGTH Py = 450 MPa.

Front



SCALE BAR: 0 5 10 20 40 (1:75)

DESIGN SUPPLIED BY: MURRAY STEEL BUILDINGS
 ADDRESS: MURRAY HOUSE 13 ABBEY PARK PLACE DUNFERMLINE FIFE
 EMAIL: LOUISE@MURRAYSTEELBUILDINGS.COM
 PHONE: 01383 668820

CLIENT: MATT SILVESTRE
 ADDRESS: 0, RG29 1SD
 EMAIL: INFO@THEWOODLANDPIGCO.CO.UK
 PHONE: 0 - 07883 445234

DRAWING TITLE: ROOF PLAN
 DRAWING NUMBER: SMSB-0222
 SHEET NUMBER: 15
 DRAWING REVISION NUMBER: 00

SCALE: 1:75