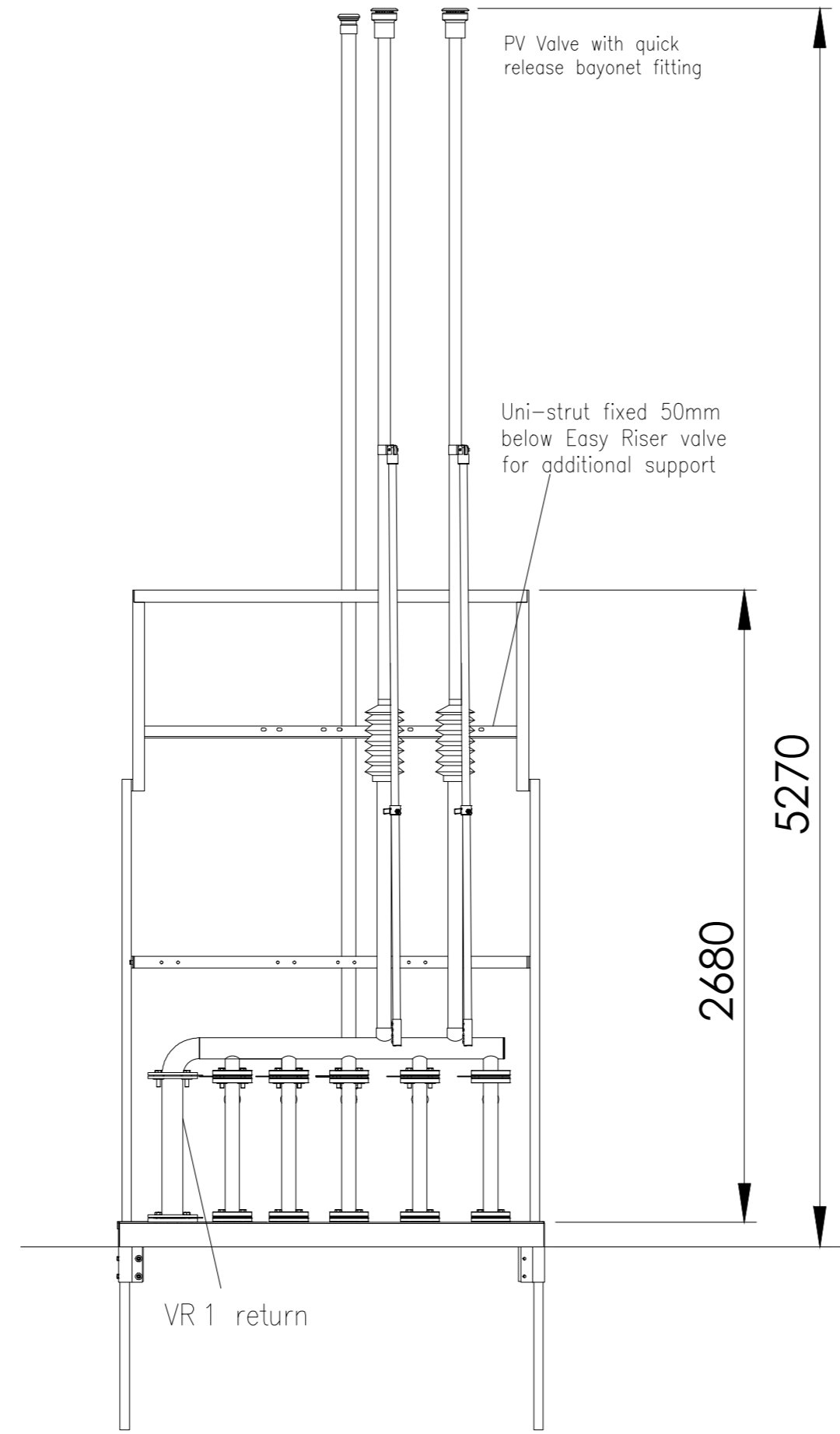
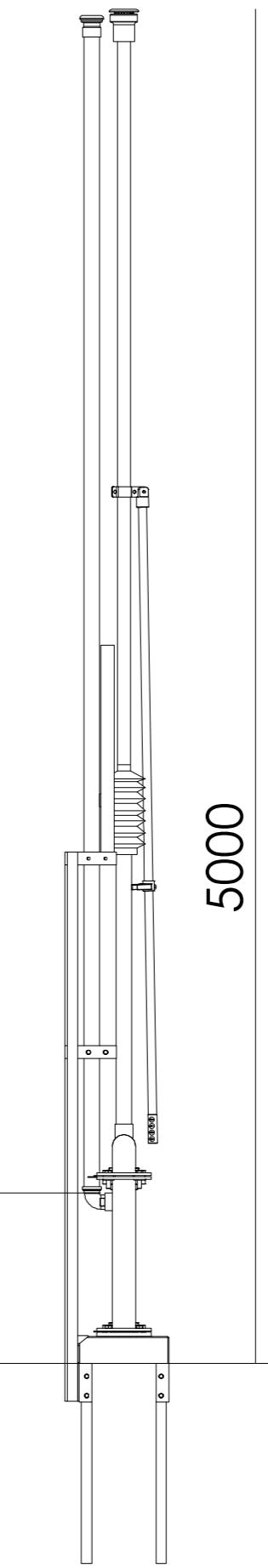


PLAN



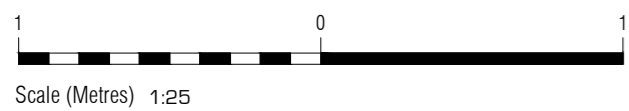
FRONT ELEVATION



SIDE ELEVATION

Diesel exhaust port.
Spectacles flanges
to be in the close
position

Forecourt level



TYPICAL VENT DETAILS 1:25 @ A2



Castlecroft Business Centre Tom Johnston Road
Dundee DD4 8XD
T: 01382 774111 F: 01382 739382
mail@amcaarchitect.co.uk

Job
Service Station Refurbishment
126-128 Restalrig Road
Edinburgh
EH7 6UW

Drawing
Typical Vents Details

Date Scale
MAR 2024 1:25 @ A2

Job No Drwg No Rev
3984 PL 010

CAD Ref: 3984_RESTALRIG_PLANNING.dwg