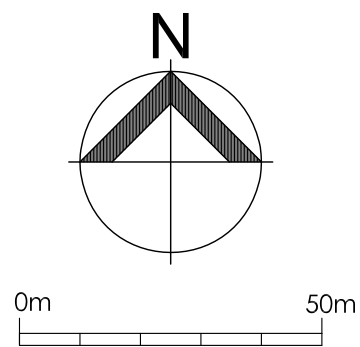


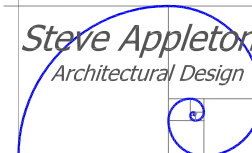
NOTES:

1.1 Do not scale from this drawing

1.2 All dimensions are in mm unless otherwise specified



REV	DESCRIPTION	DATE
-----	-------------	------



63 Eton Close  
Witney, Oxfordshire  
OX28 3GB  
Tel: 01993 700187  
Mobile: 07536 008612  
Email: sa.archdesign@btinternet.com

PROJECT:  
**Mr T. Beaver**  
5 Chester Street  
Oxford

DRAWING:  
**Location Plan**

SCALE: <b>1:1250 @ A3</b>	DRAWN BY: <b>SA</b>	DATE: <b>Feb 24</b>
------------------------------	------------------------	------------------------

DRAWING No: <b>287/24.05</b>	REV: <b>-</b>
---------------------------------	------------------