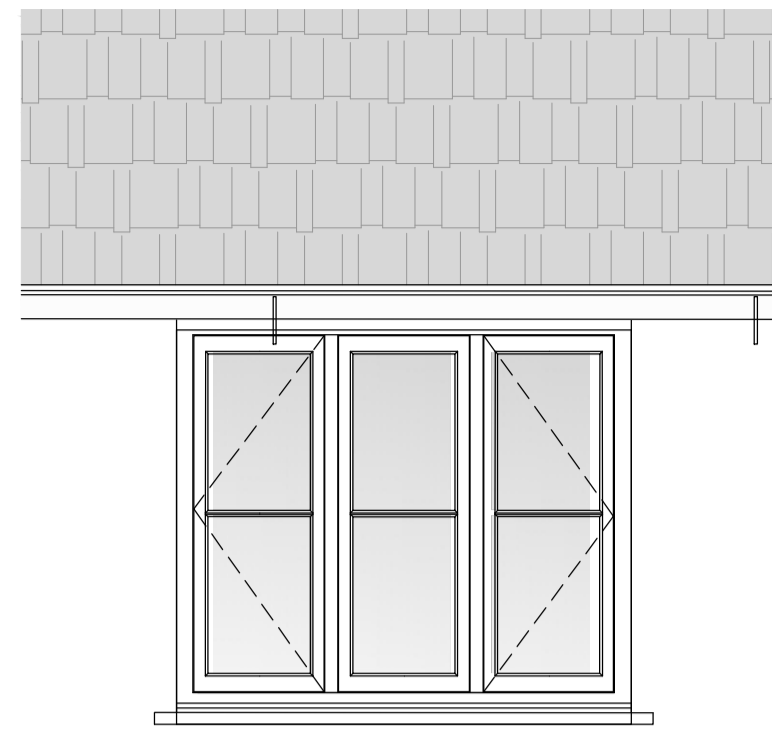
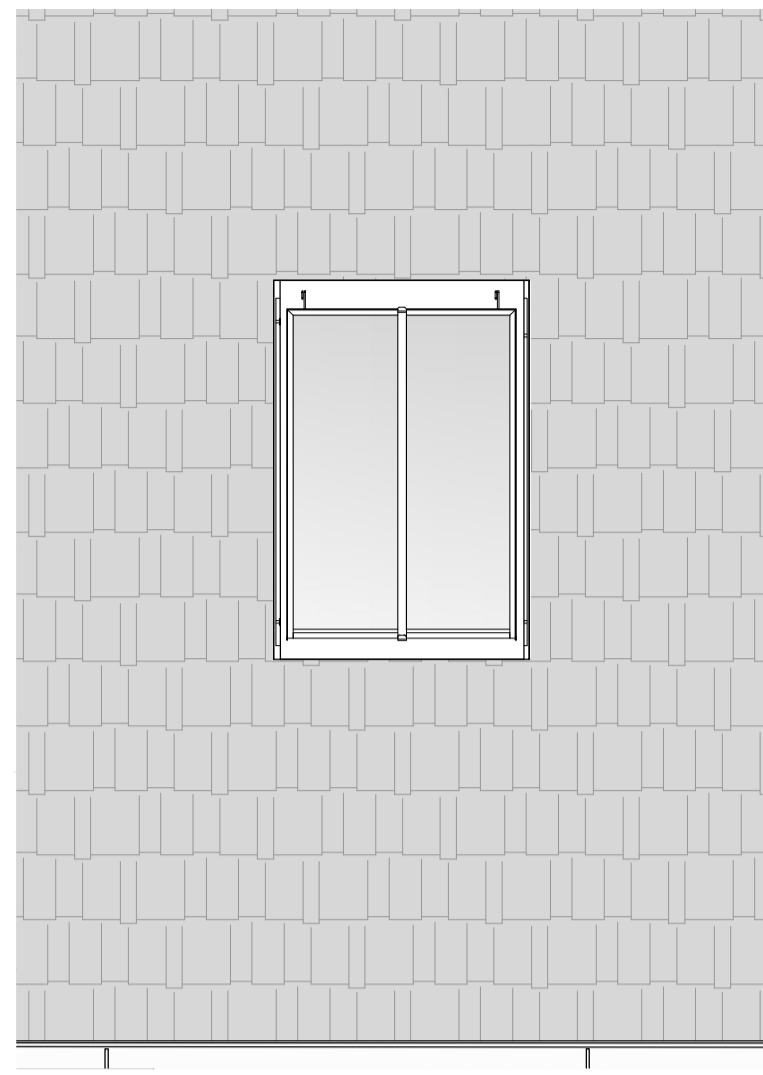


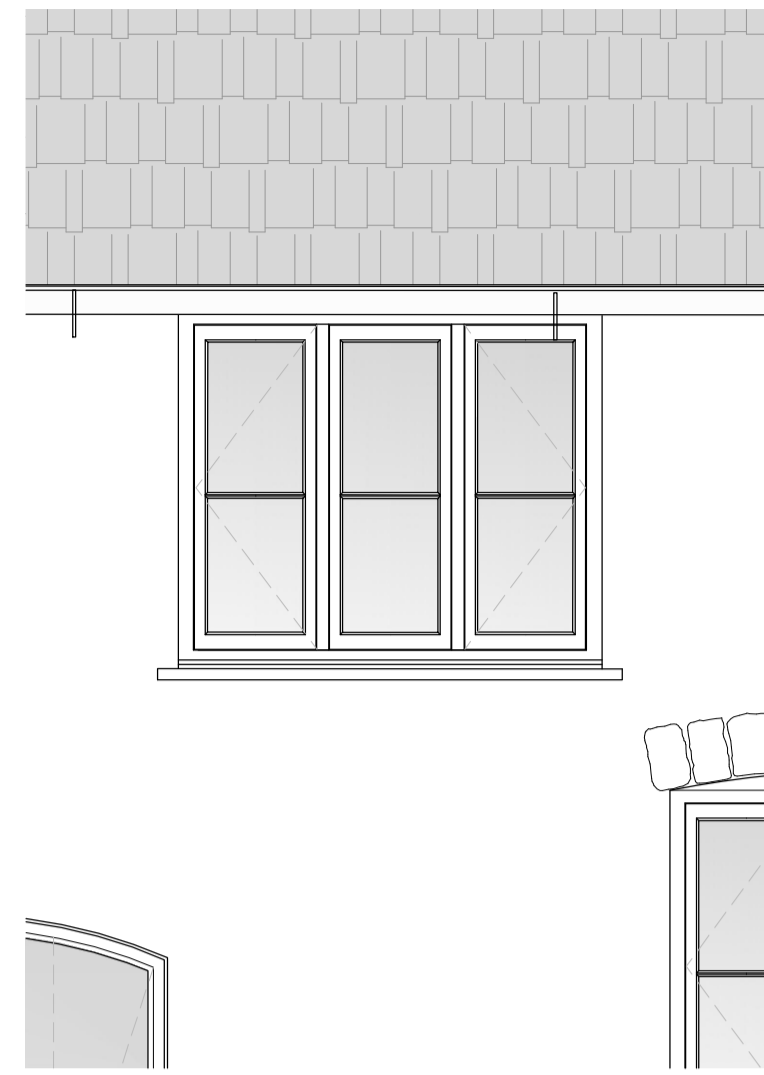
02 **F06.W2**
1:25@A1, 1:50@A3



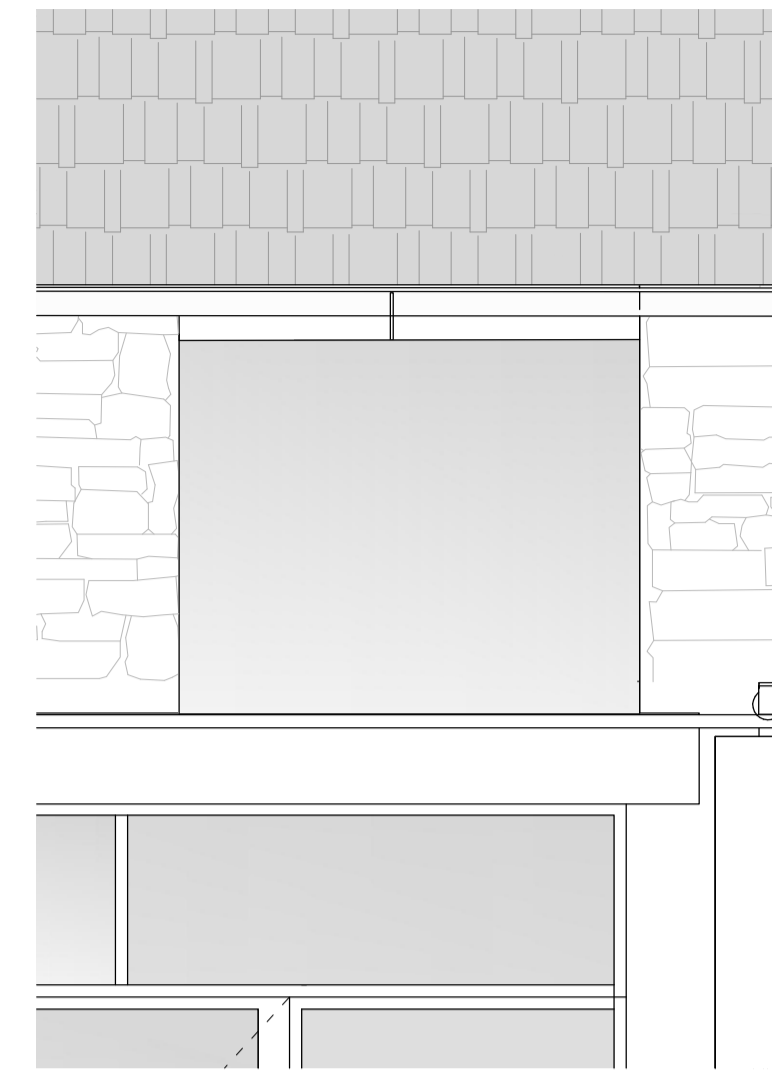
03 **F07.W1**
1:25@A1, 1:50@A3



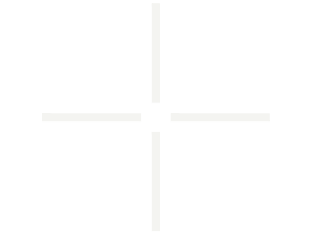
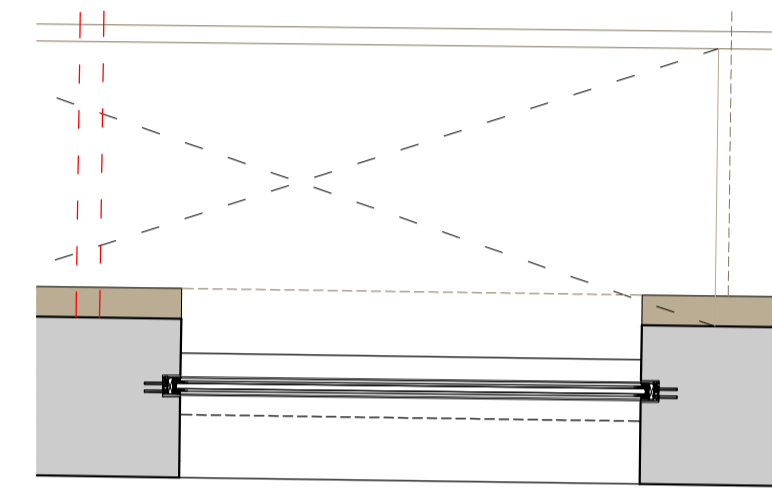
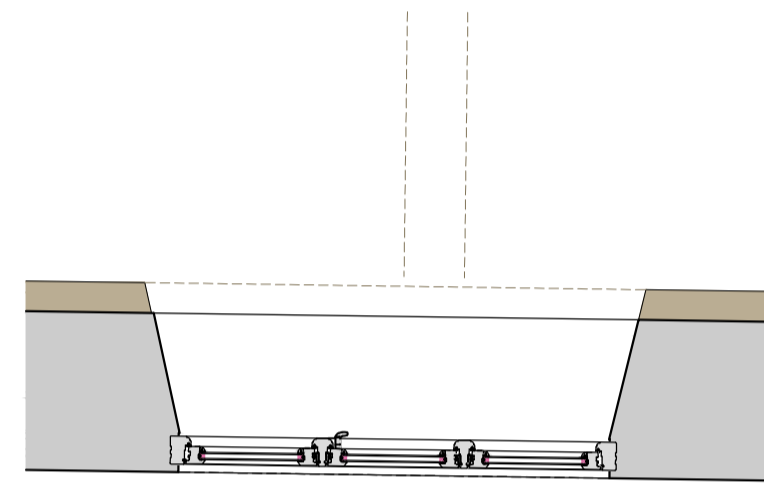
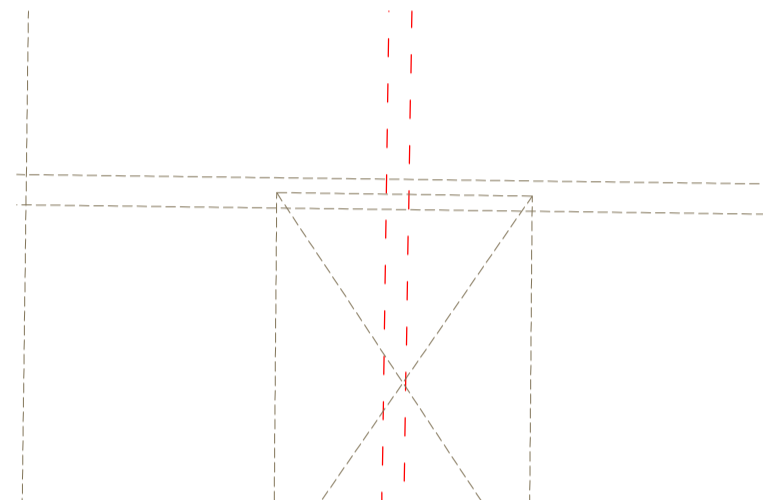
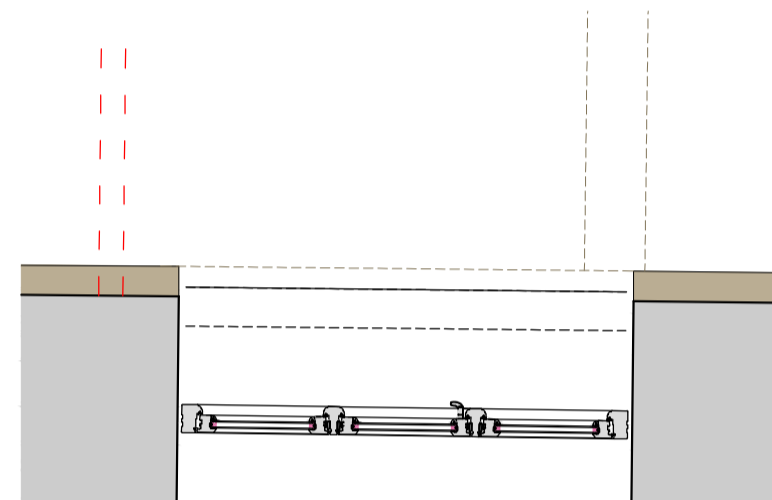
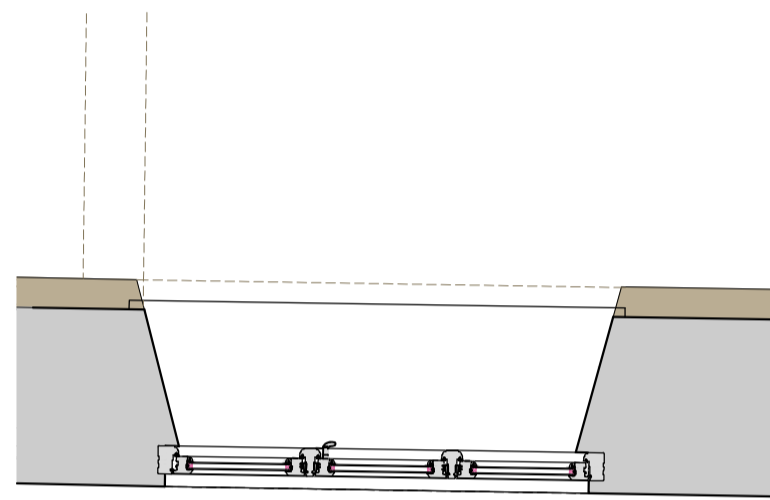
04 **F07.W2/W3/W5/W6**
1:25@A1, 1:50@A3



05 **F07.W4**
1:25@A1, 1:50@A3



06 **F07.W7**
1:25@A1, 1:50@A3



This drawing is to be used for planning purposes only.
Not for construction.

This drawing is the property of Richard Parr Associates.
Copyright is reserved by them and the drawing is issued
on the condition that it is not copied, reproduced,
retained or disclosed to any unauthorised person, either
wholly or in part without written consent.

© Copyright Richard Parr Associates

Checked by
.....

Drawn by
.....

Date
.....

Description
.....

Rev
.....

Job No
315

Project
West Bradley House

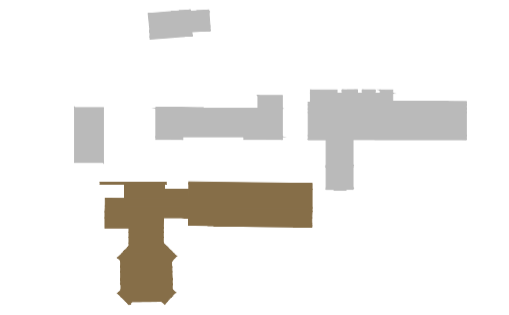
Title
Proposed First Floor Window Schedule
2

Drg No 315-MH-00-323

Scale 1:25@A1, 1:50@A3

Date of First Issue March 2024

Status Planning



**RICHARD PARR
ASSOCIATES**

studio@richardparr.com
+44 (0)1453 860200
richardparr.com
@richardparrassociates

+
COUNTRY
Eaister Park
Nympsfield, Stonehouse
Gloucestershire GL10 3UL

TOWN
The People's Hall
Studio 5-2 Olaf Street
London W11 4BE