

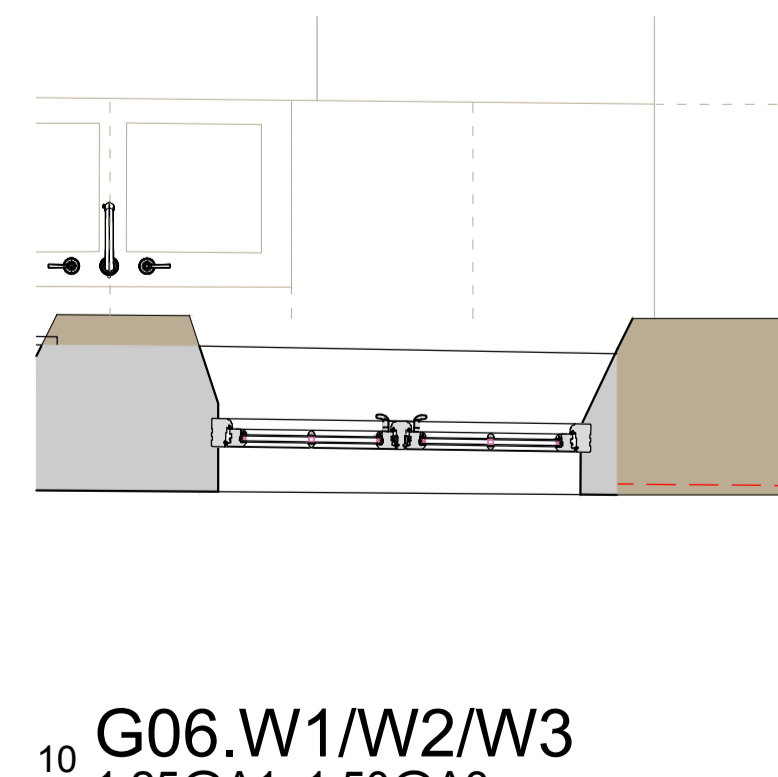
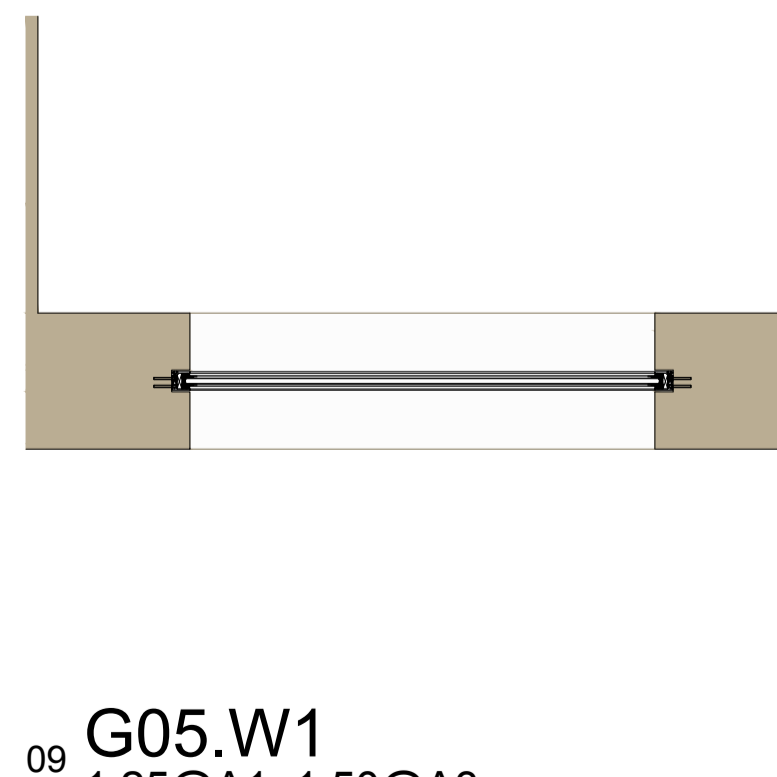
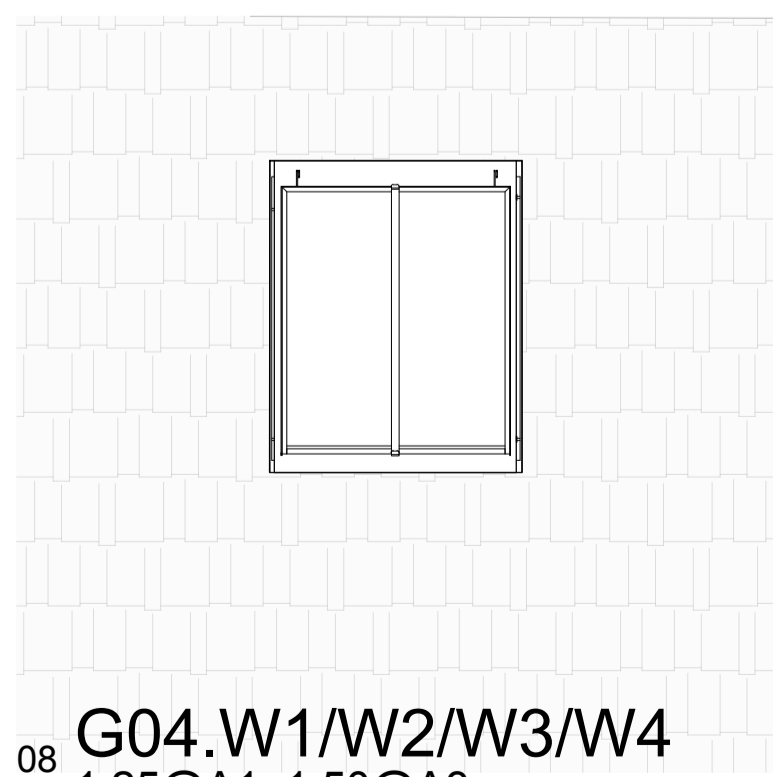
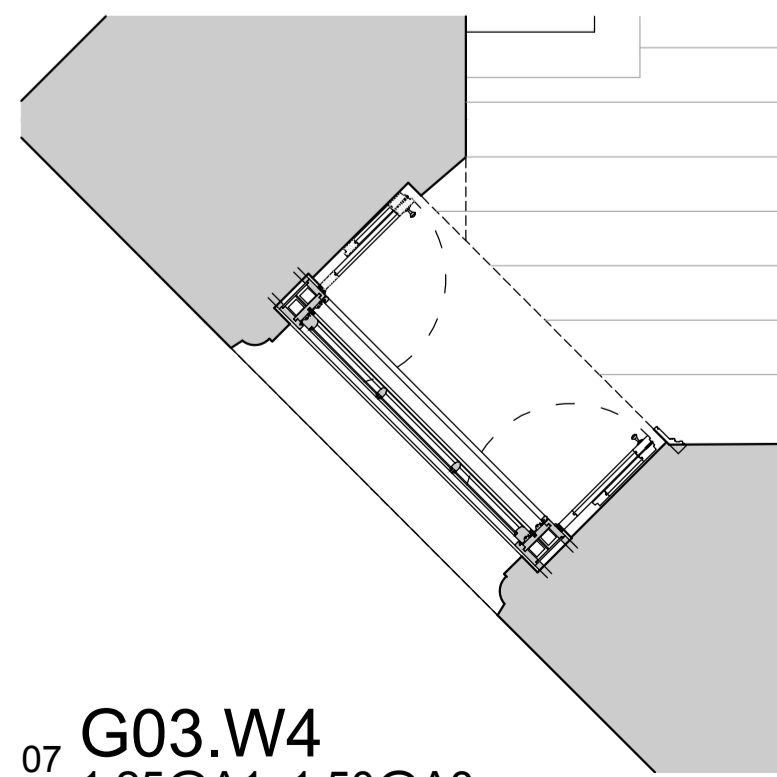
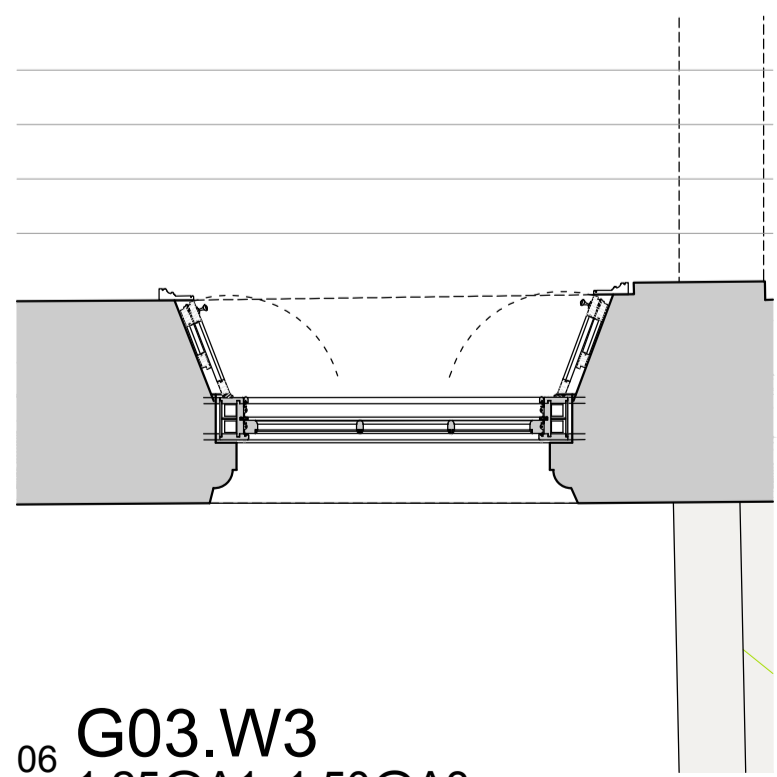
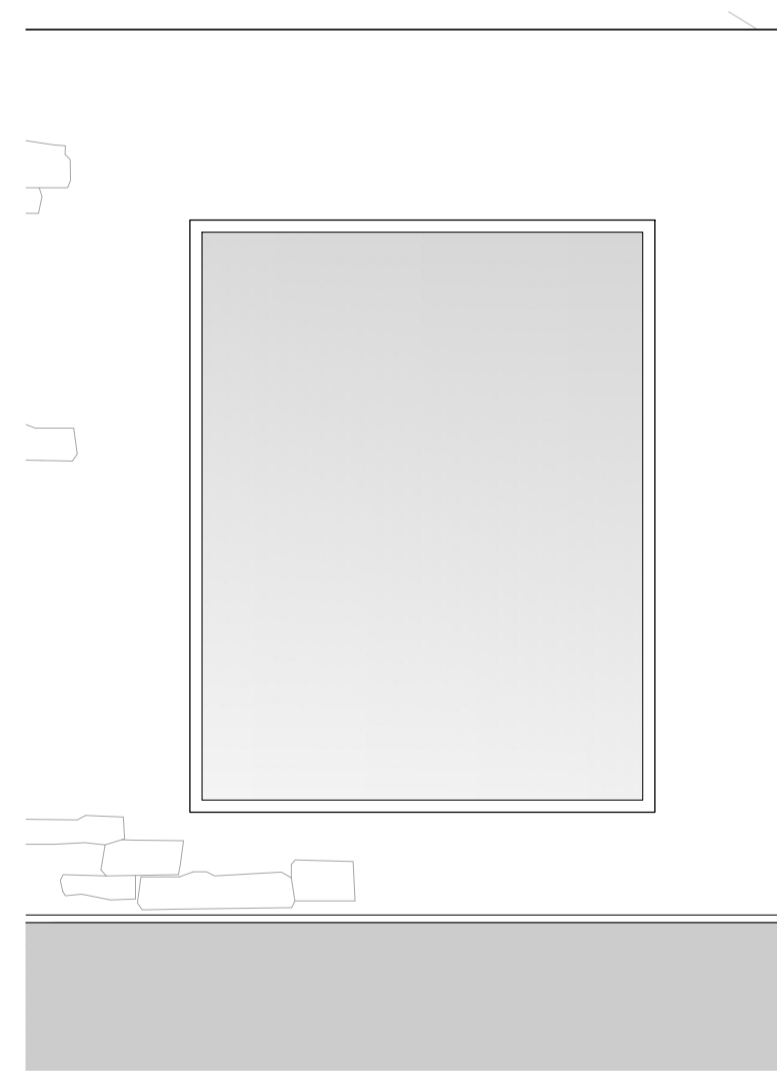
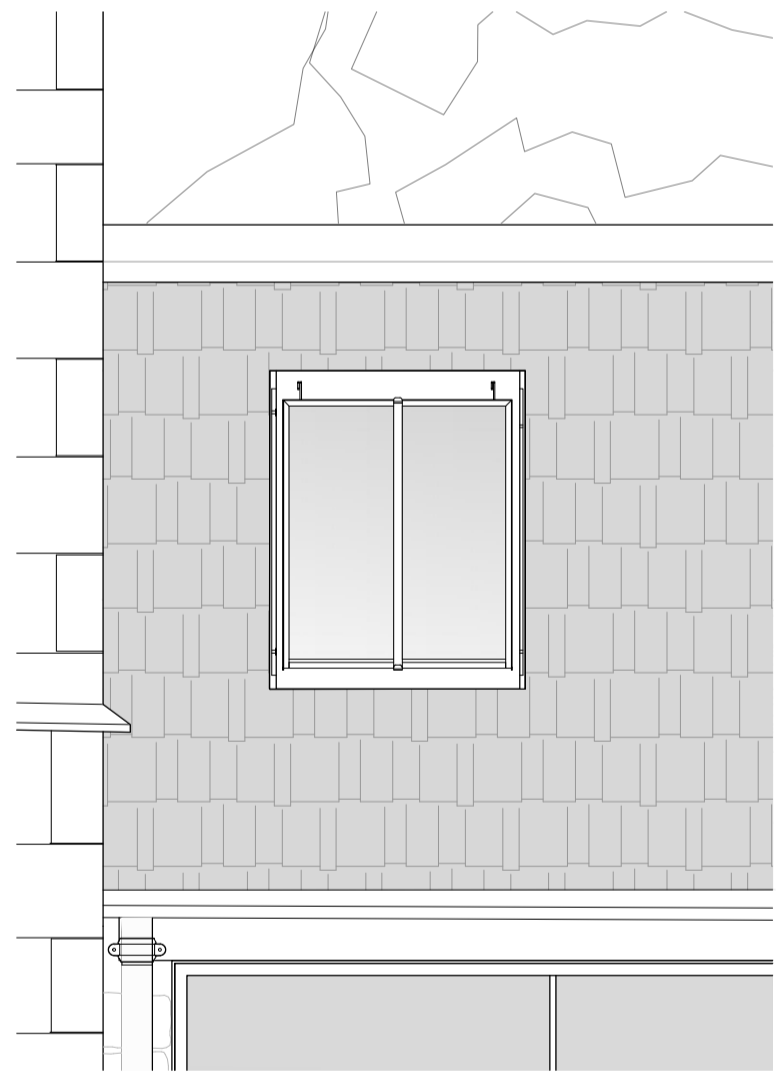
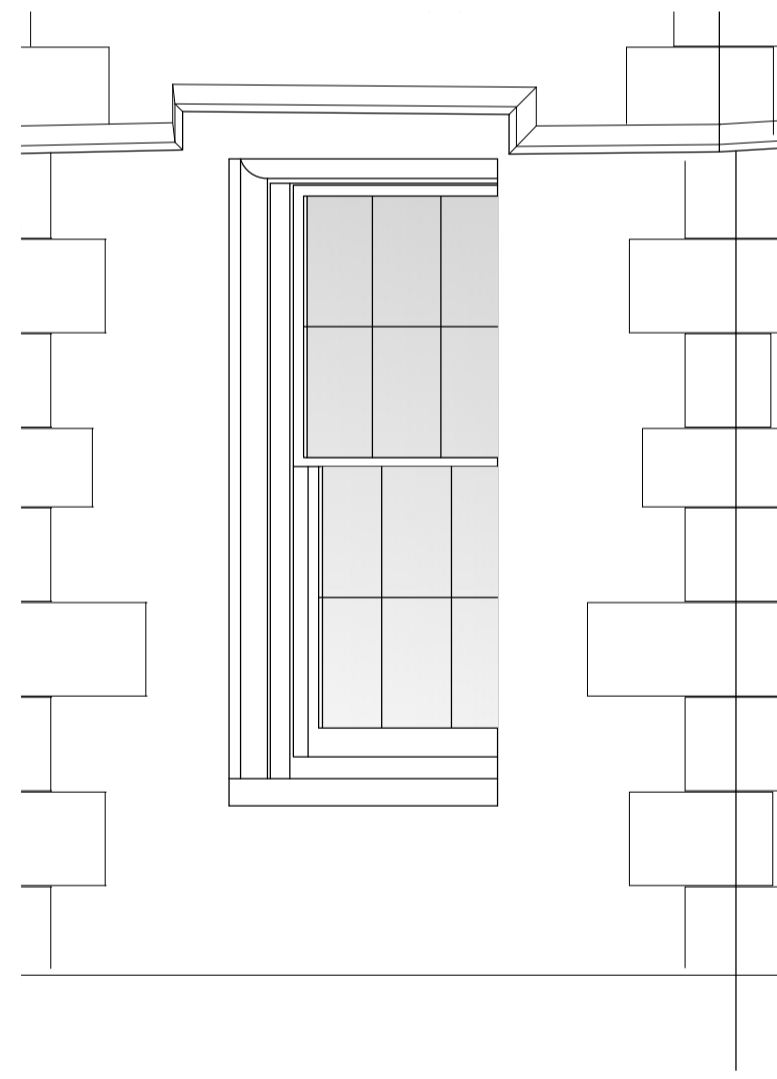
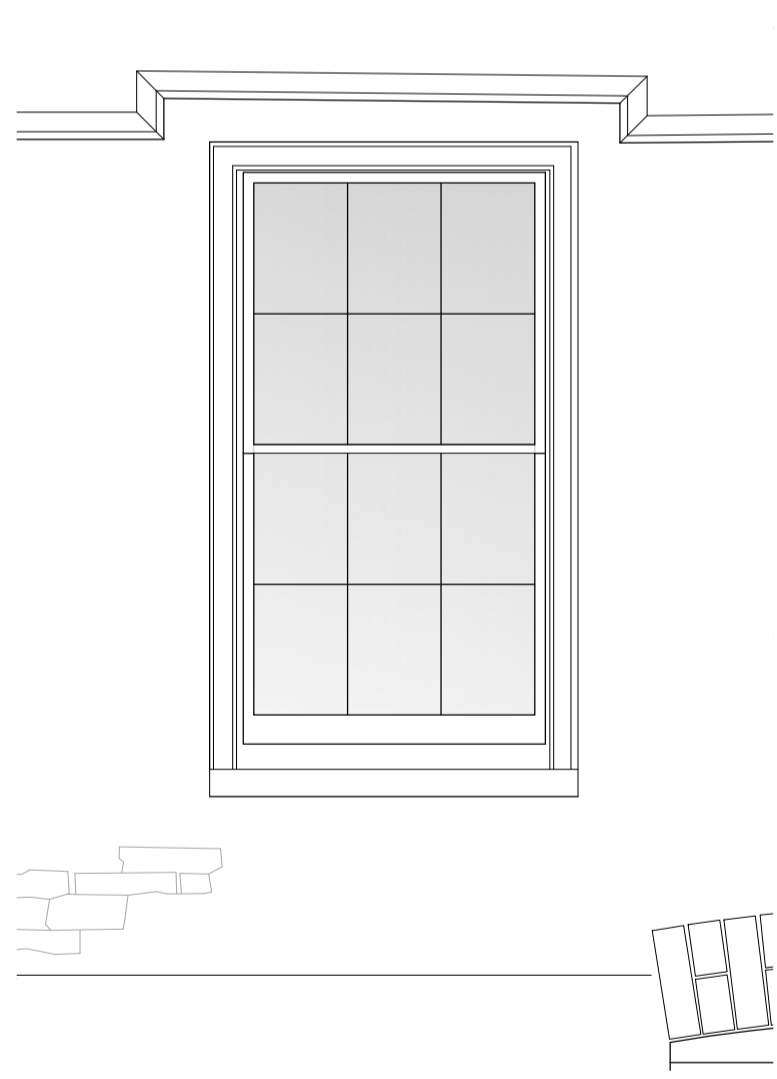
01 G01.W1
1:25@A1, 1:50@A3

02 G02.W1
1:25@A1, 1:50@A3

03 G02.W2
1:25@A1, 1:50@A3

04 G03.W1
1:25@A1, 1:50@A3

05 G03.W2
1:25@A1, 1:50@A3



06 G03.W3
1:25@A1, 1:50@A3

07 G03.W4
1:25@A1, 1:50@A3

08 G04.W1/W2/W3/W4
1:25@A1, 1:50@A3

09 G05.W1
1:25@A1, 1:50@A3

10 G06.W1/W2/W3
1:25@A1, 1:50@A3



This drawing is to be used for planning purposes only.
Not for construction.

This drawing is the property of Richard Parr Associates.
Copyright is reserved by them and the drawing is issued
on the condition that it is not copied, reproduced,
retained or disclosed to any unauthorised person, either
wholly or in part without written consent.

© Copyright Richard Parr Associates

Checked by
.....
Drawn by
.....
Date
.....

Description
.....
Rev
.....

Job No
315
Project
West Bradley House
Title
Proposed Ground Floor Window
Schedule 1
Drg No 315-MH-00-320
Scale 1:25@A1, 1:50@A3
Date of First Issue March 2024
Status Planning



**RICHARD PARR
ASSOCIATES**

studio@richardparr.com
+44 (0)1453 860200
richardparr.com
@richardparrassociates

+ COUNTRY
Eaſter Park
Nympsfield, Stonehouse
Glouceſhire GL10 3UL

TOWN
The People's Hall
Studio 5-2 Olaf Street
London W11 4BE