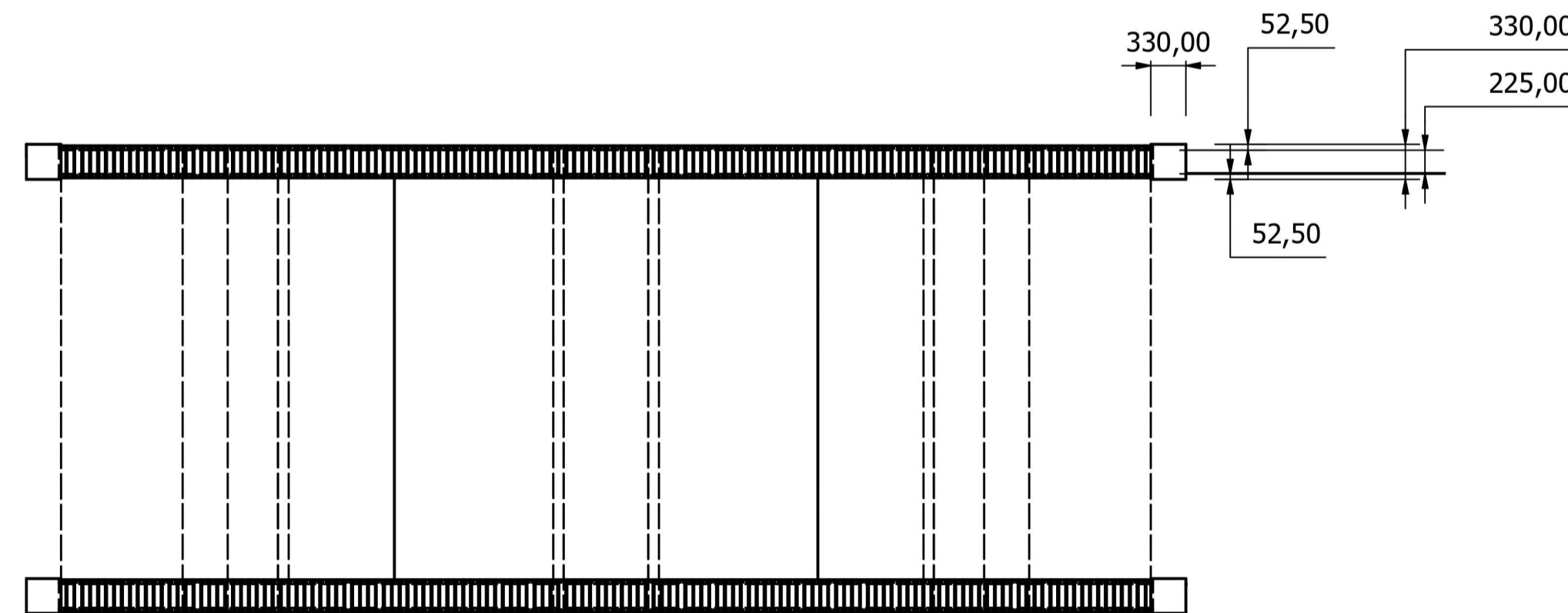
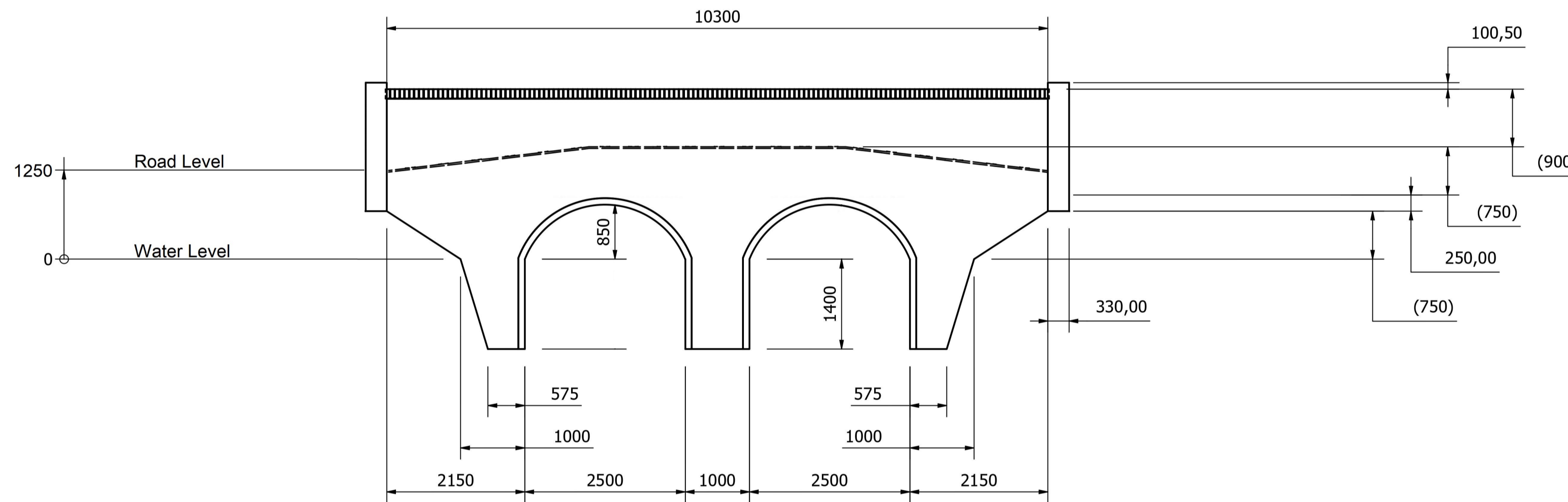
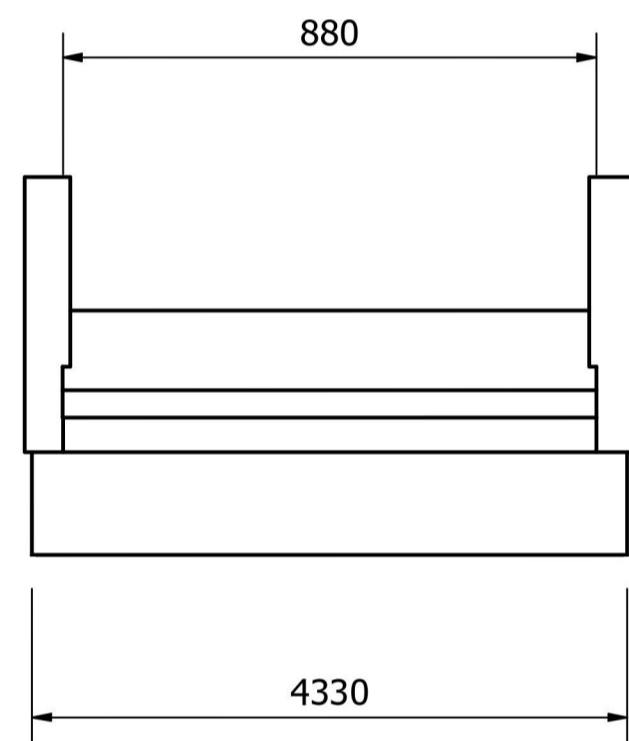
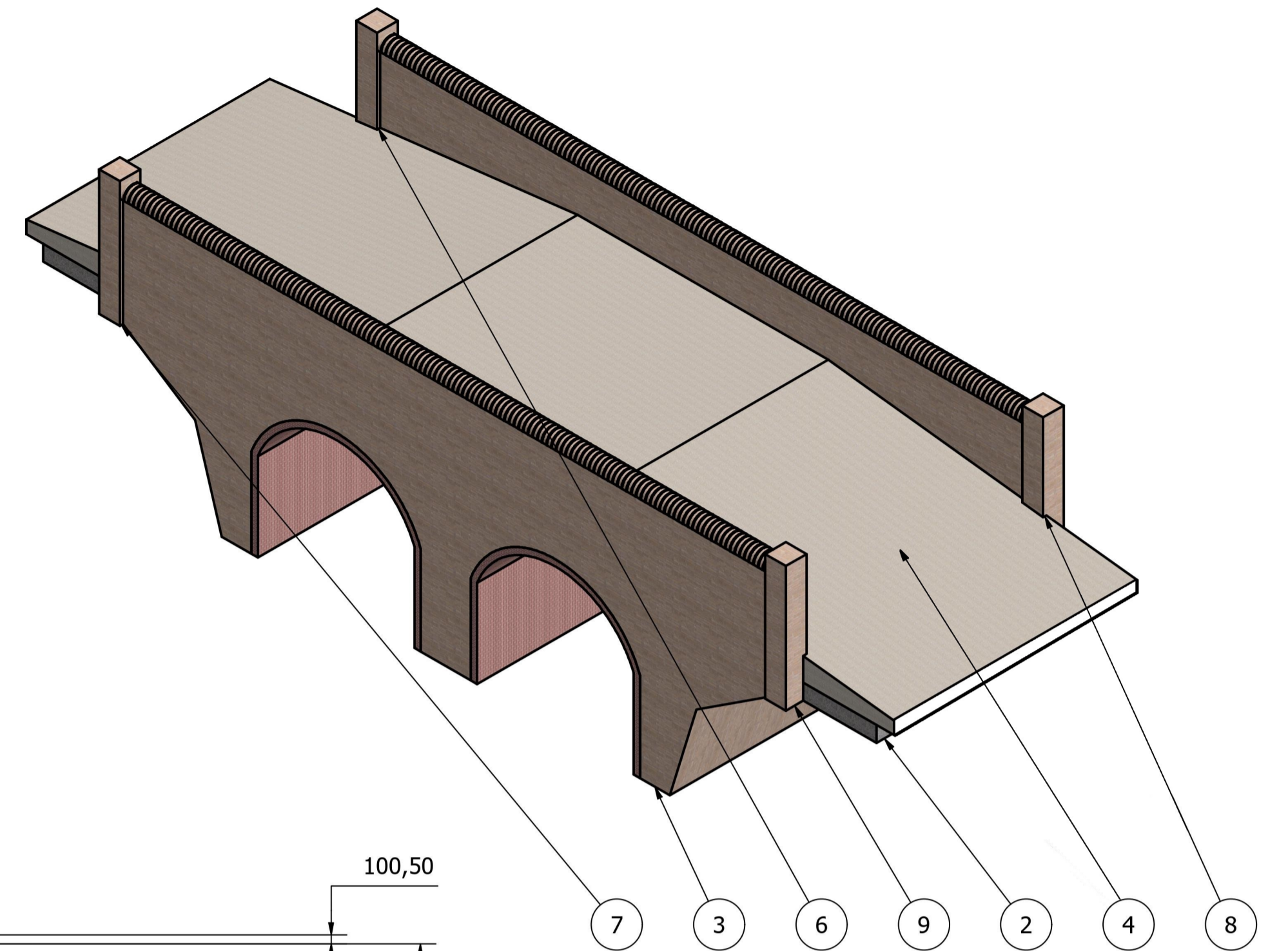


PARTS LIST		
ITEM	QTY	DESCRIPTION
1	2	Bridge section - to engineer's specification
2	4	Concrete Footing - to engineer's specification
3	1	Brick Bridge
4	1	Bridge Surface
6	1	Brick pier
7	1	Brick pier
8	1	Brick pier
9	1	Brick pier



Title <b>Bridge Construct</b>	

Greenwood Farm, Mickfield  
 Drawing 260424/1  
 Bridge Construction  
 Scale 1:120 @ A3

Designed / Annotated By <b>L.Febvre</b>
Part Number <b>Bridge Construct</b>
Material

Creation Date <b>05/03/2024</b>	Revision <b>1</b>	Sheet <b>1 / 1</b>
R&D Approved	Approval Date	
Quality Approved	Approval Date	
Manufacture Approved	Approval Date	