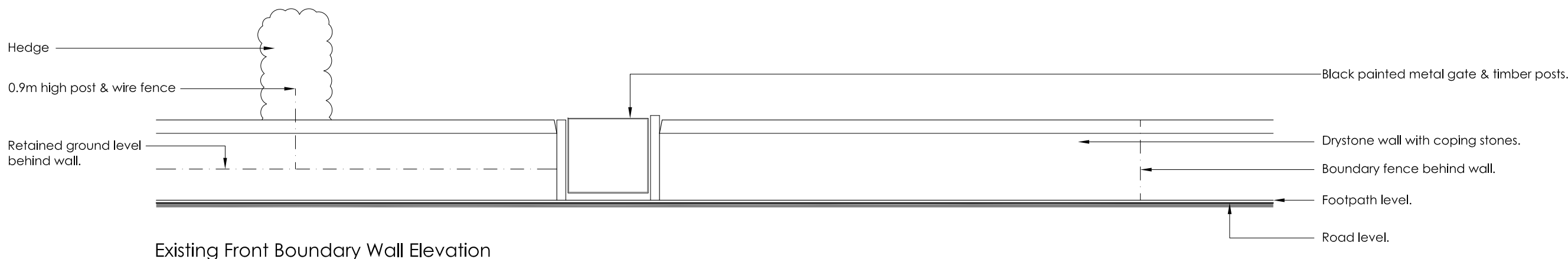


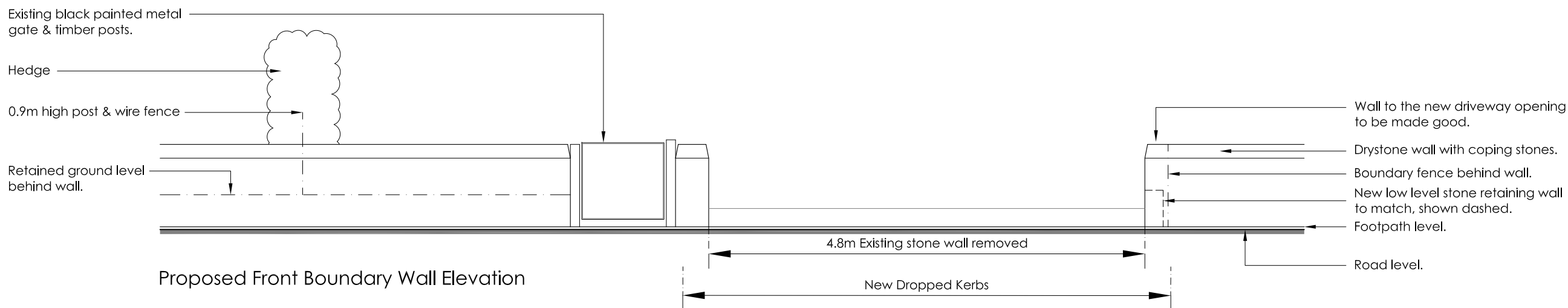
NOTES:

1.1 Do not scale from this drawing

1.2 All dimensions are in mm unless otherwise specified



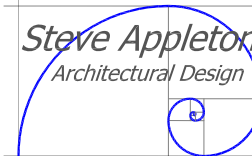
Existing Front Boundary Wall Elevation



Proposed Front Boundary Wall Elevation



REV	DESCRIPTION	DATE
-	-	-



63 Eton Close
 Witney, Oxfordshire
 OX28 3GB
 Tel: 01993 700187
 Mobile: 07536 008612
 Email: sa.archdesign@btinternet.com

PROJECT:
 Mr & Mrs Davison
 2 Witney Lane
 Leafield
 Oxfordshire

DRAWING:
 Survey & Proposed
 Front Garden Wall Elevations

SCALE: 1:50 @ A3 DRAWN BY: SA DATE: April 24

DRAWING No: 288/24.07 REV: -