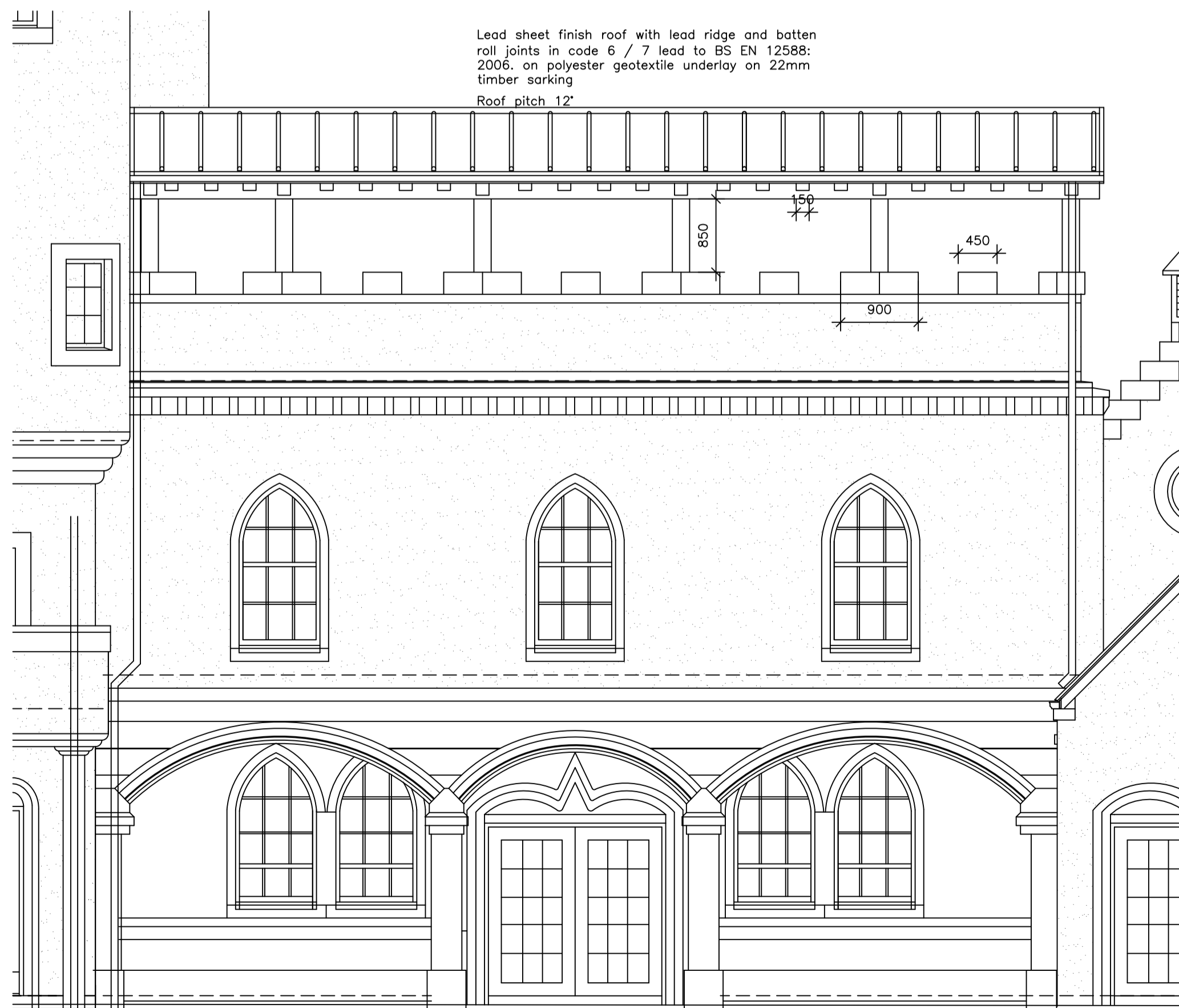
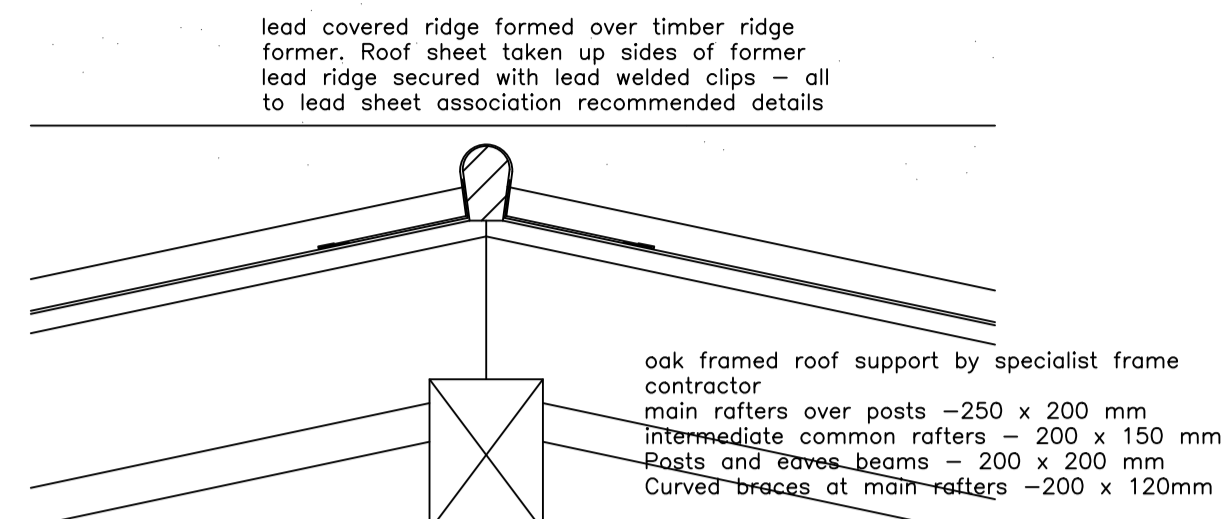


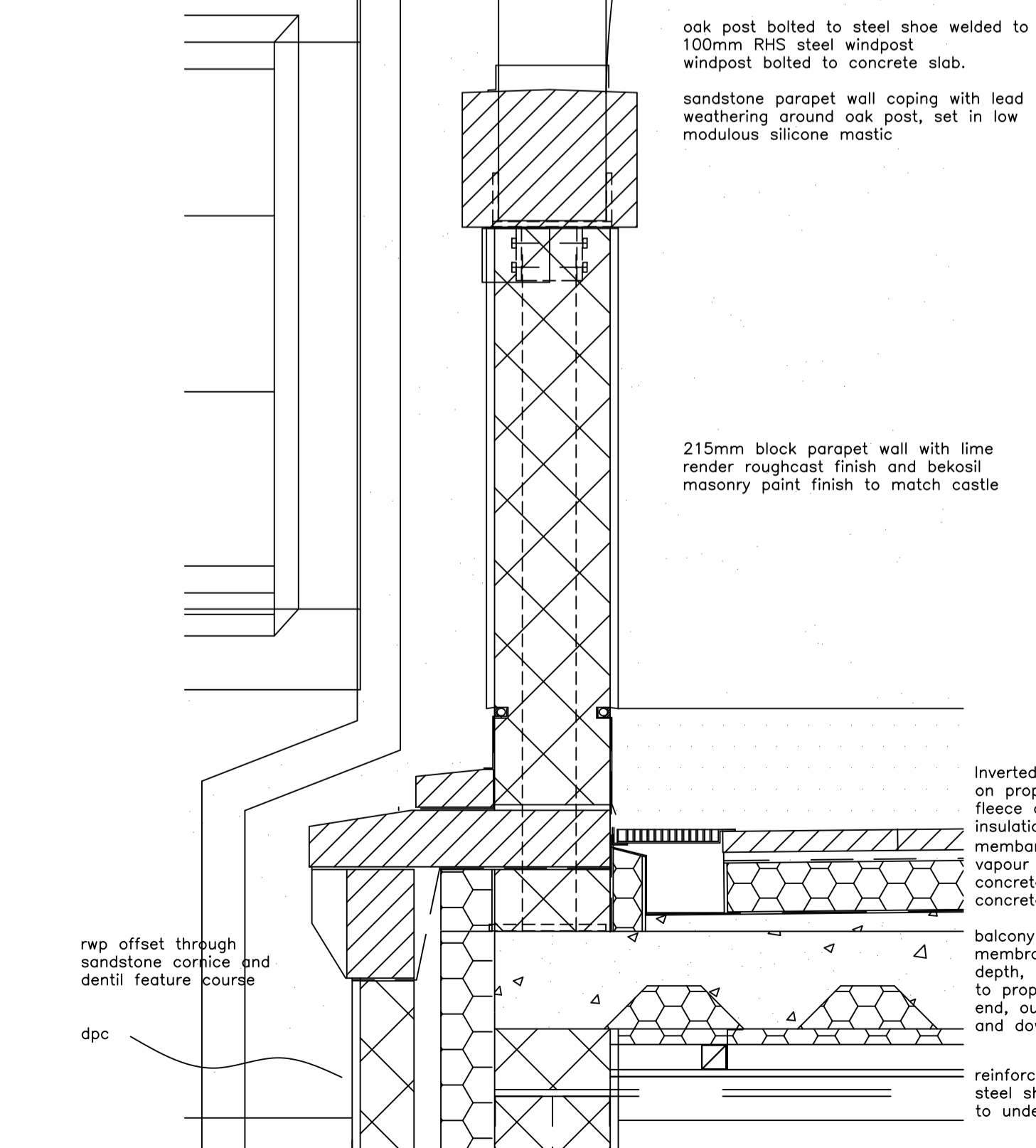
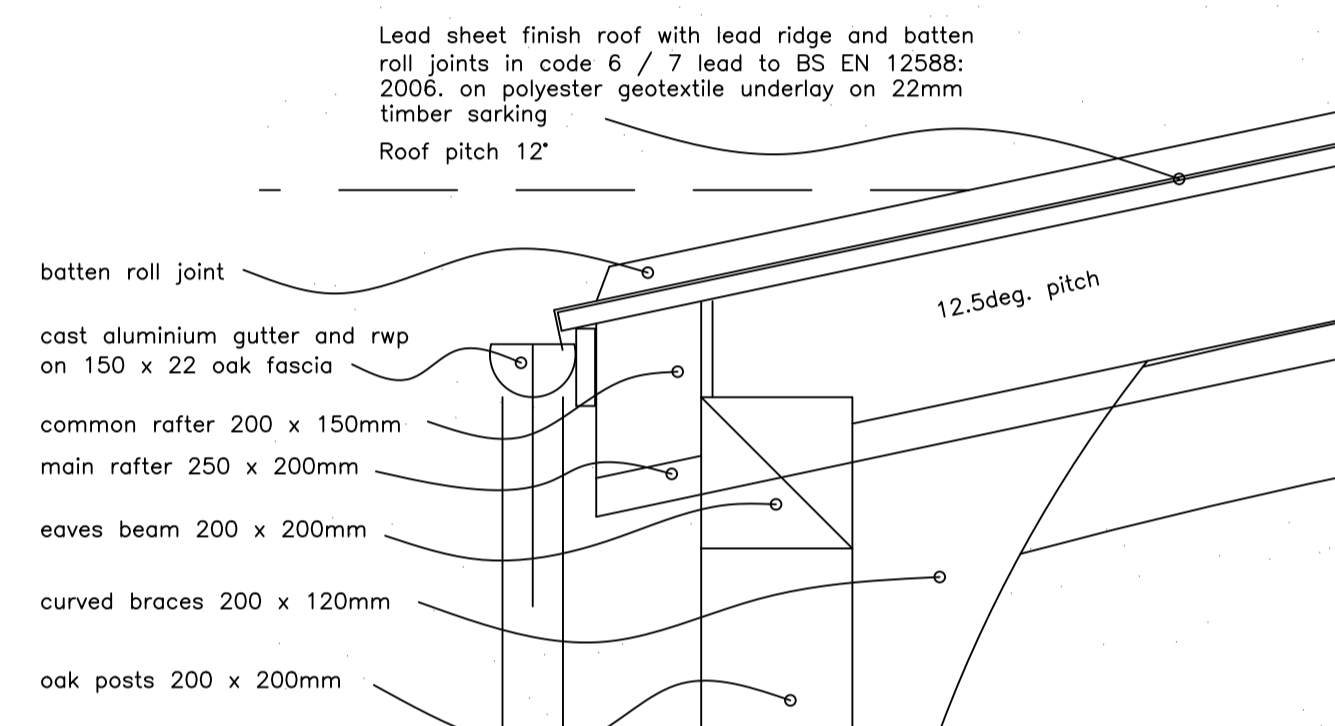
Cross Section 1:50



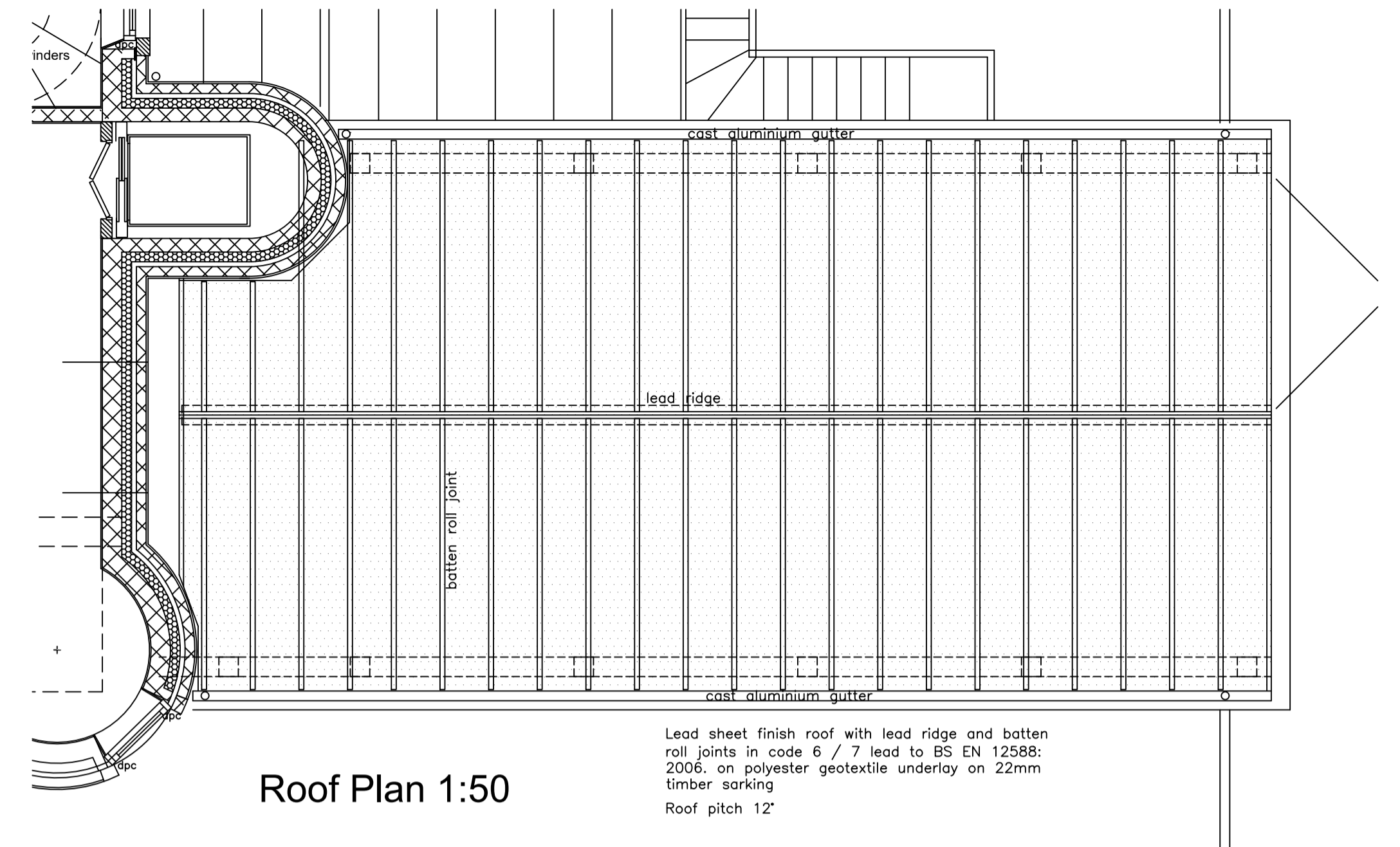
South Elevation 1:50



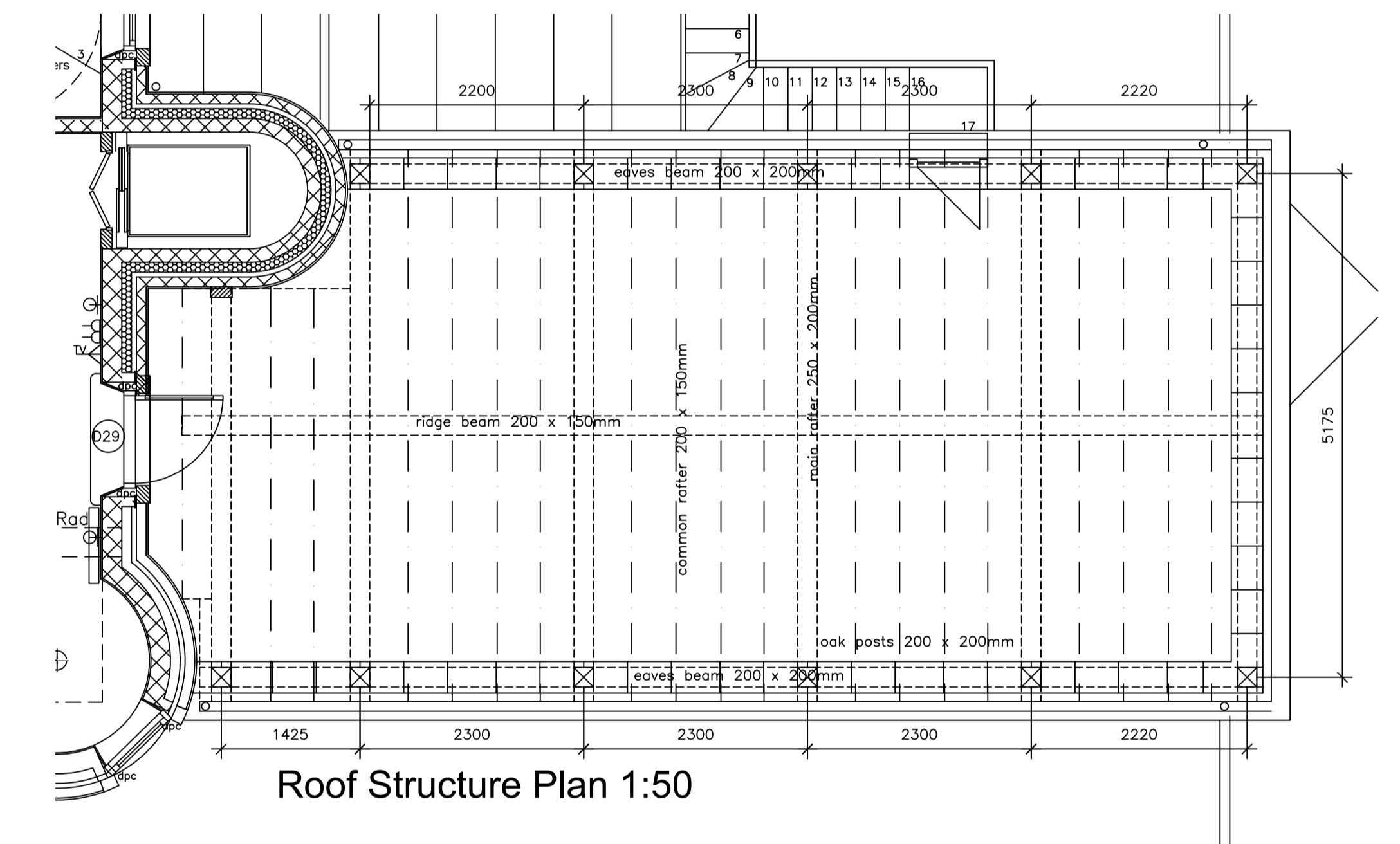
Detail at ridge (B) 1:10



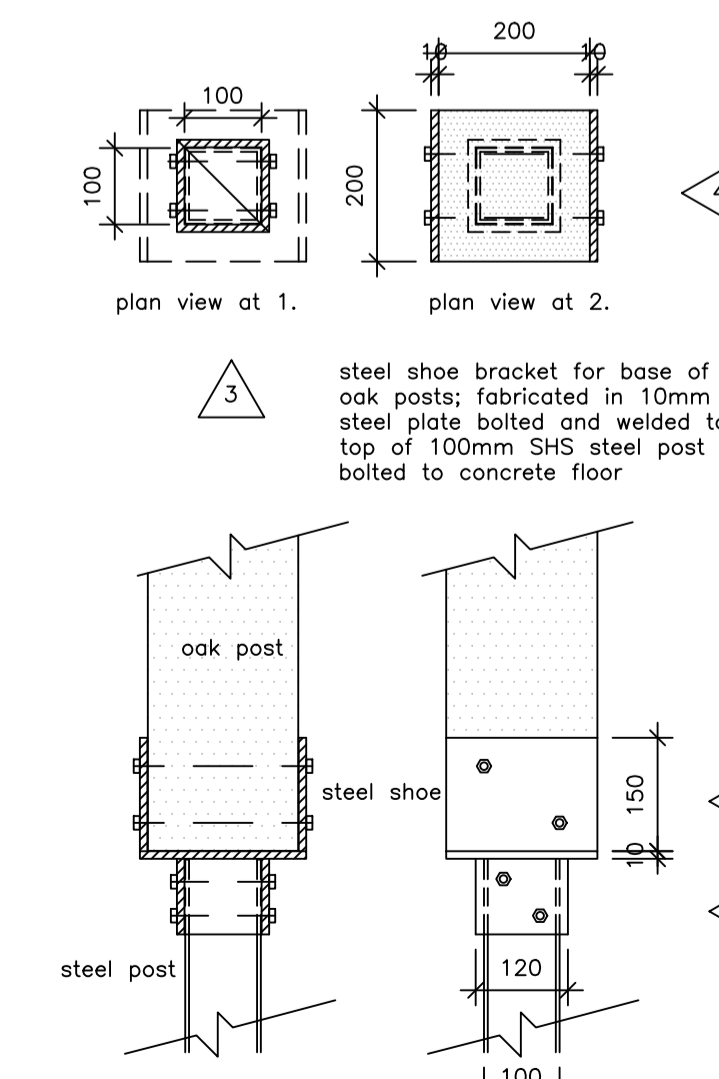
Detail section (A) 1:10



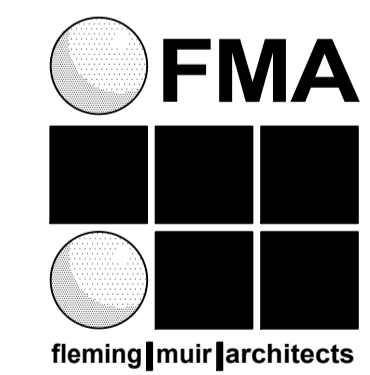
Roof Plan 1:50



Roof Structure Plan 1:50



Steel shoe detail 1:10



FMA
 flming|muir|architects
 20 St Quivox Road, Prestwick KA9 1LJ
 Tel. 01292 678899 E-mail: info@flmingmuirarchitects.co.uk
 Fax: 01292 678811 Web: www.flmingmuirarchitects.co.uk

Plotted
 05-11-07

Job EXTENSION & ALTERATION TO
 AIKET CASTLE

Client UNITY PARTNERSHIP LLP
 MR A. GORDON

Title ROOF OVER GALLERY ROOF TERRACE
 AS EXISTING

scale 1:50, 1:10 @A1 drg.no rev
 date 2017 14-21-15-PL-B