

- Notes:
- For Mechanical Notes & Legends refer to drawing drgs:
 - 6432-M-Z-M-000-50-900
 - 6432-M-Z-M-000-50-901
 - For Energy Centre layout, refer to drg:
 - 6432-M-A-01-100-56-100
 - For District Heating Plantroom Layout - ASHP - Block A Roof refer to drg:
 - 6432-M-A-16-100-56-100
 - For District Heating Riser Schematics refer to drgs:
 - 6432-M-A-M-700-56-700
 - 6432-M-A-M-700-56-701
 - 6432-M-BC-M-700-56-702
 - 6432-M-DE-M-700-56-703
 - 6432-M-FG-M-700-56-704
 - For District Heating Plant & Equipment refer to schedule:
 - 6432-M-A-ZZ-600-07-130

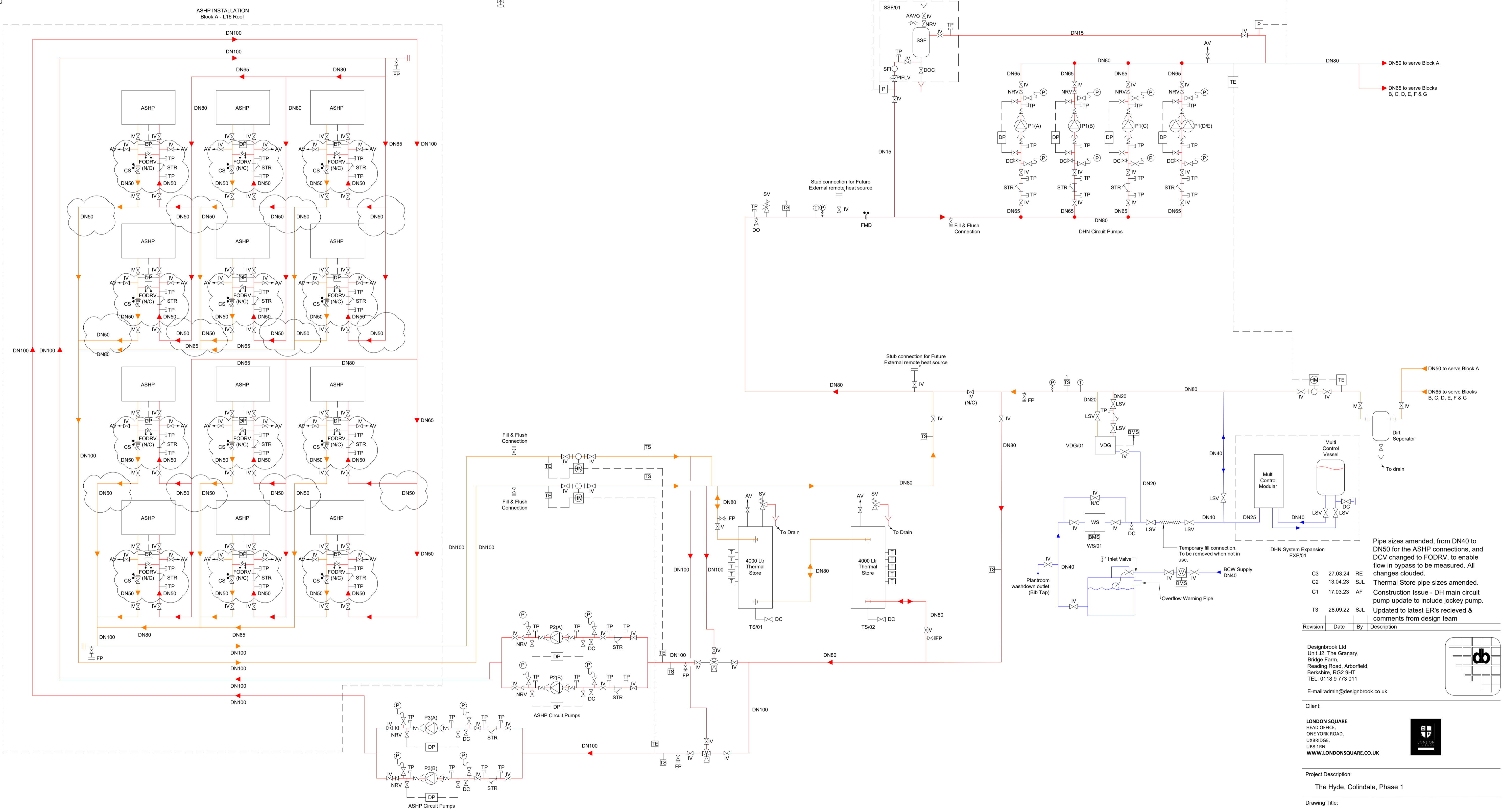
- Legend
- AAV = Automatic Air Vent
 - AV = Air Vent
 - DO = Drain off Point
 - DP = Differential Pressure Sensor
 - FMD = Flow Measurement Device
 - FODRV = Fixed orifice double regulating valve
 - IV = Isolation Valve
 - LSV = Lock Shield Valve
 - NRV = Non-return Valve
 - PICV = Pressure Independent Control Valve
 - PRV = Pressure Reduction Valve
 - RPZ = Reduced Pressure Zone Valve
 - STR = Strainer
 - SV = Safety Valve
 - VDG = Vacuum Degasser & Pressurisation Unit
 - FP = Flushing Point
 - PIFLV = Pressure Independent flow limiting valve
 - WS = Water Softener

- BMS = Link to Central Control System
- HM = Heat Meter
- W = Water Meter
- P = Pressure Gauge

- P = BMS Pressure Sensor
- T = Temperature Gauge
- T = Temperature Sensor
- TE = Temperature Sensor for Heat Meter
- TS = Temperature Sensor (BMS)
- TT+ = Temperature Sensor - High Limit
- TT- = Temperature Sensor - Low Limit
- Thermal Link / Heat Sensor
- Control Valve
- Pressure Independent Control Valve

Notes:-
 This drawing is the property of Designbrook Ltd and as such may not be copied or communicated to a third party without written authorisation.
 This drawing conveys design intent and is provided to assist the contractor in the development of their working drawings.
THE CONTRACTOR SHALL NOT INSTALL TO THIS DRAWING.
 Please do not scale from this drawing.

CDM Regulations



Pipe sizes amended, from DN40 to DN50 for the ASHP connections, and DCV changed to FODRV, to enable flow in bypass to be measured. All changes clouded.
 Thermal Store pipe sizes amended.
 Construction Issue - DH main circuit pump update to include jockey pump.
 Updated to latest ER's received & comments from design team

Revision	Date	By	Description
C3	27.03.24	RE	
C2	13.04.23	SJL	
C1	17.03.23	AF	
T3	28.09.22	SJL	

Designbrook Ltd
 Unit J2, The Granary,
 Bridge Farm,
 Reading Road, Arborfield,
 Berkshire, RG2 9HT
 TEL: 0118 9 773 011
 E-mail: admin@designbrook.co.uk

Client:
LONDON SQUARE
 HEAD OFFICE,
 ONE YORK ROAD,
 UXBRIDGE,
 UB8 1RN
 WWW.LONDONSQUARE.CO.UK

Project Description:
 The Hyde, Colindale, Phase 1

Drawing Title:
 District Heating Plantroom Schematic

Status:
 Construction Issue

Drawn/Checked by: SJL/AF	Approved by: AF		
Job Number: 6432	Original Sheet Size: A1	Scale: NTS	Sheet 1 Of: 1
Drawing number: 6432-M-Z-M-900-56-700			Rev: C3

1 District Heating Plantroom Schematic
 Scale: NTS