

Notes:

For district heating pipeline material refer to mechanical service notes & legends drg: 6432-M-ZZ-ZZ-100-50-900.

For Combined service Information refer to following drawings:

- LV/HV: PowerOn E12782-DWG-010
- Water: PowerOn - E12782/DWG/020
- BT: Open Reach L/SG/101
- District Heating: 6432-Z-ZZ-00-56-150
- External Lighting: 6432-Z-A-GF-100-63-200
- External Car Charging: 6432-Z-A-GF-100-60-500
- Service Ducting:
- 6432-Z-A-GF-100-20-100
- 6432-Z-B/C-GF-100-20-101
- 6432-Z-D/E-GF-100-20-102
- 6432-Z-F/G-GF-100-20-103
- 6432-Z-H-GF-100-20-104
- Below Ground Drainage - GTA - 11513_1601
- Hyper Optic - 3278195042-010-001

Bending radius ducting shall be in accordance with utility providers details but as a minimum shall be in accordance with below table.

DUCT RADIUS TO BE IN ACCORDANCE WITH THE FOLLOWING TABLE		
DUCT SIZE	BCW	OTHERS
900	15D-25D	12D
1000	15D-25D	12D
1250	15D-25D	12D
1500	15D-25D	12D
2000	15D-25D	12D

D = DIAMETER OF DUCT

Installation diagram pre-insulated isolation valve

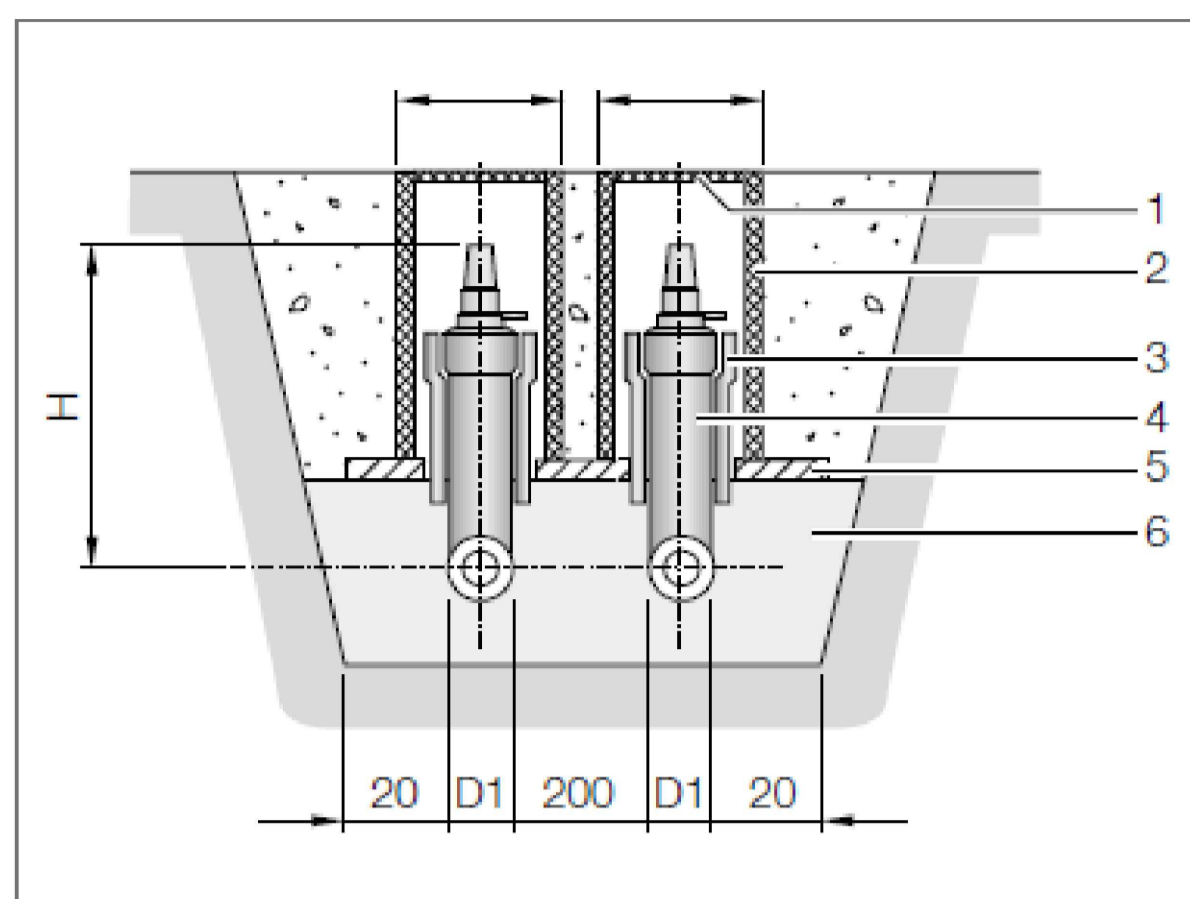


Fig. 4-27 Installation diagram pre-insulated isolation valve (dimensions in cm)

- 1 Cast lid, can be driven over (construction site)
- 2 Concrete pipe (construction site)
- 3 Expansion bellow (construction site)
- 4 Pre-insulated isolation valve
- 5 Supporting plate (construction site)
- 6 Sand filler, grain size 0 – 8 mm

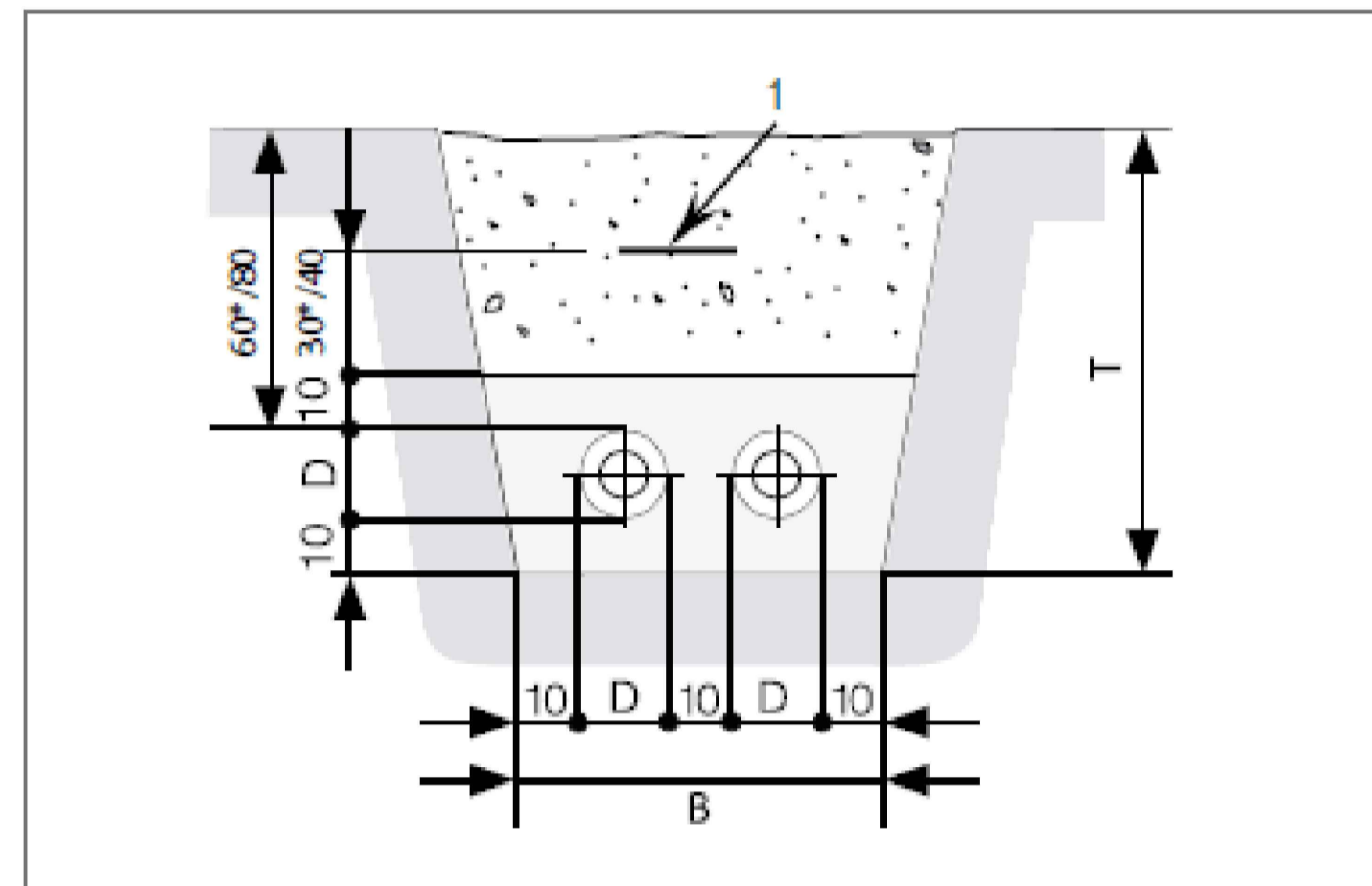
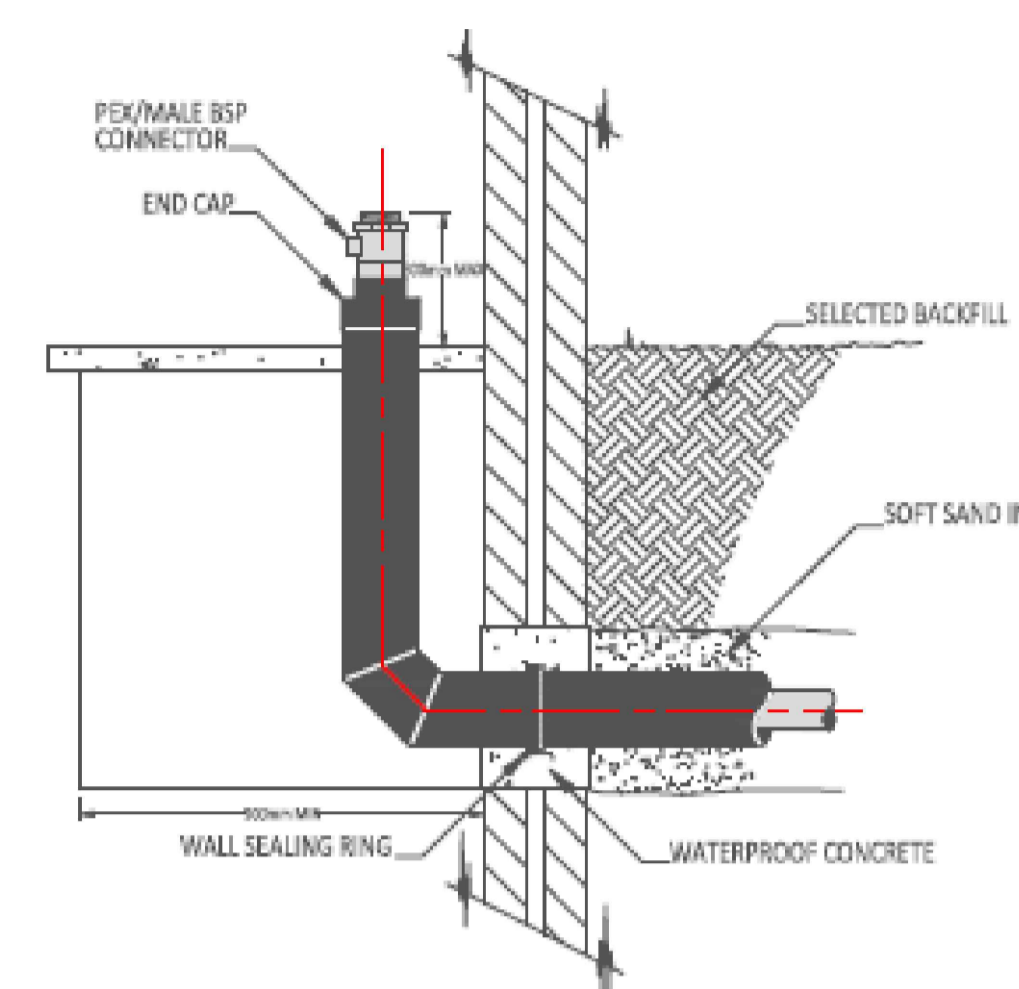


Fig. 7-15 Trench width 2 pipes (UNO or DUO)

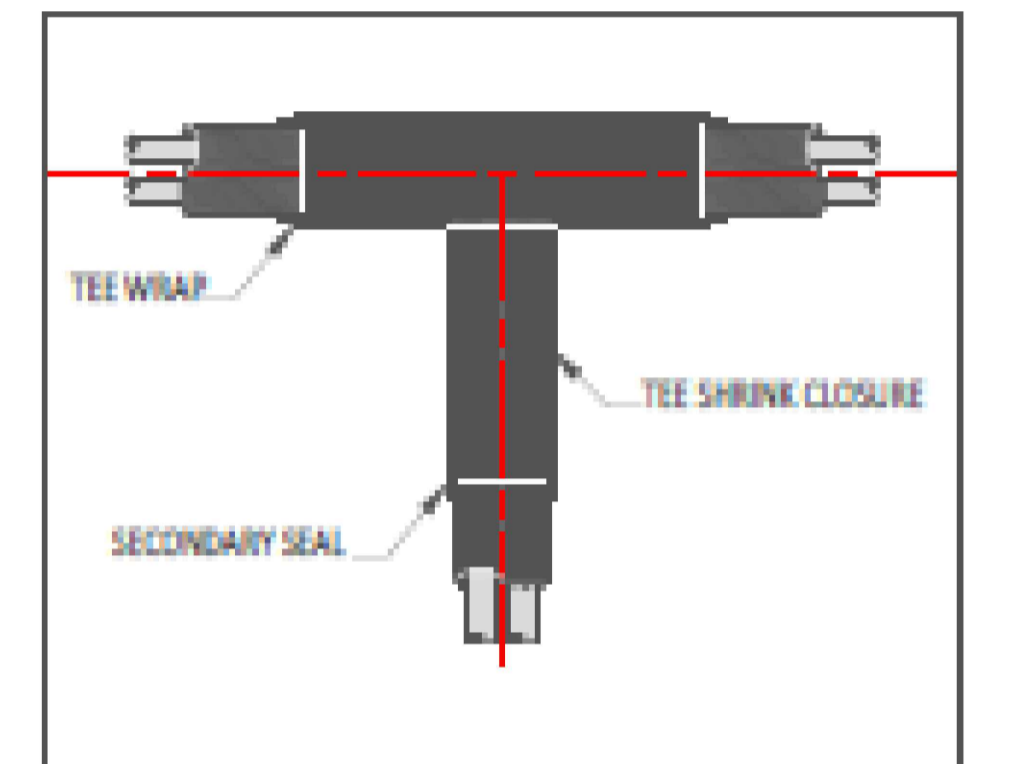
- 1 Identification tape
- B Trench base width
- D Pipe diameter
- T Trench depth
- * No traffic load



Site Plan



DETAIL No.1 : INTERNAL VERTICAL TERMINATION



D/H flow and return pipework from below, rises into service cupboard and offsets into the riser. Detail No 1

DHN flow and return pipework drops to below ground and serves blocks B/C, D/E & F/G. Detail No 1

DHN flow and return pipework from below, rises into service cupboard and offsets into the riser. Detail No 1

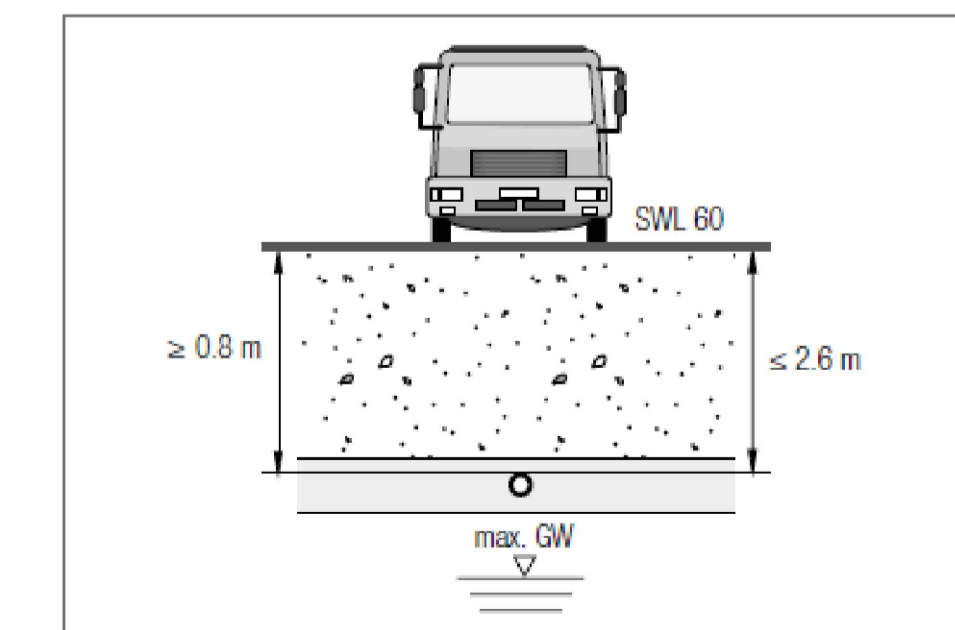


Fig. 7-3 Trench depth in moving loads

Notes:-
This drawing is the property of Designbrook Ltd and as such may not be copied or communicated to a third party without written authorisation.
This drawing conveys design intent and is provided to assist the contractor in the development of their working drawings.
THE CONTRACTOR SHALL NOT INSTALL TO THIS DRAWING.
Please do not scale from this drawing.

CDM Regulations

Revision	Date	By	Description
T3	06.12.22	SH	Updated inline with latest coordination route drawings & Below ground pipeline sizes added
T2	05.07.22	AE	Updated routes to following coordination with other services
T1	15.06.22	RE	T1 Issue

Designbrook Ltd
Unit J2, The Granary,
Bridge Farm,
Reading Road, Arborfield,
Berkshire, RG2 9HT
TEL: 0118 9 773 011
E-mail: admin@designbrook.co.uk

Client:
LONDON SQUARE
HEAD OFFICE,
ONE YORK ROAD,
UXBRIDGE,
UB8 1RN
WWW.LONDONSQUARE.CO.UK

Project Description:
The Hyde, Colindale, Phase 1

Drawing Title:
Site Wide District Heating Service Routes

Status: Tender Issue		Drawn by/Checked by: RE/AE	Approved by: AE
Job Number: 6432	Original Sheet Size: A1	Scale: 1:250	Sheet: Of: 2
Drawing number: 6432-Z-ZZ-00-100-96-120			Rev: T3