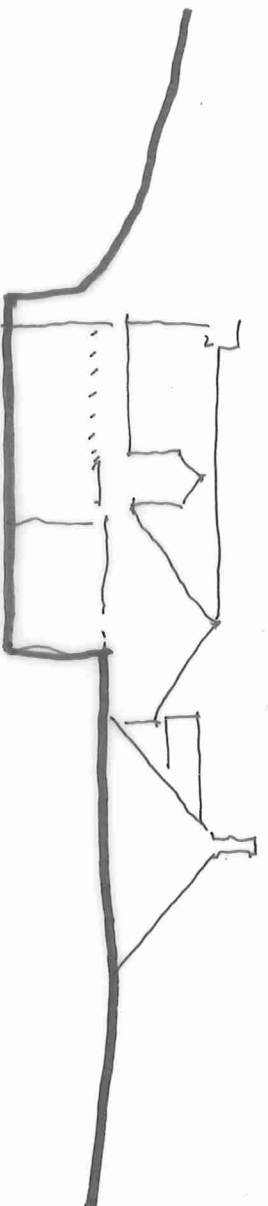
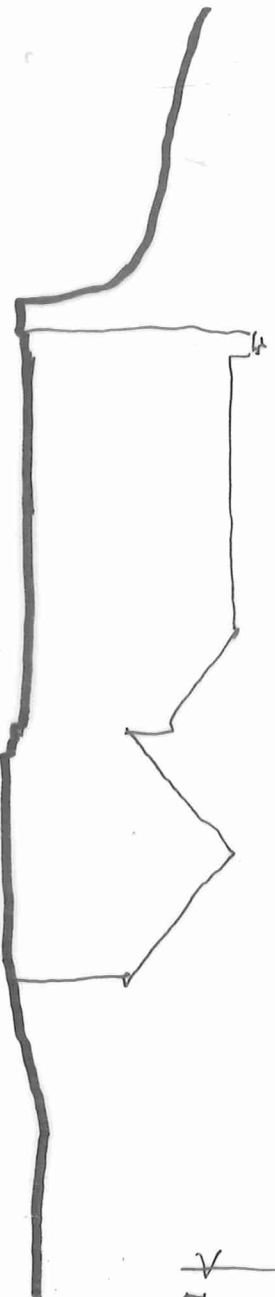
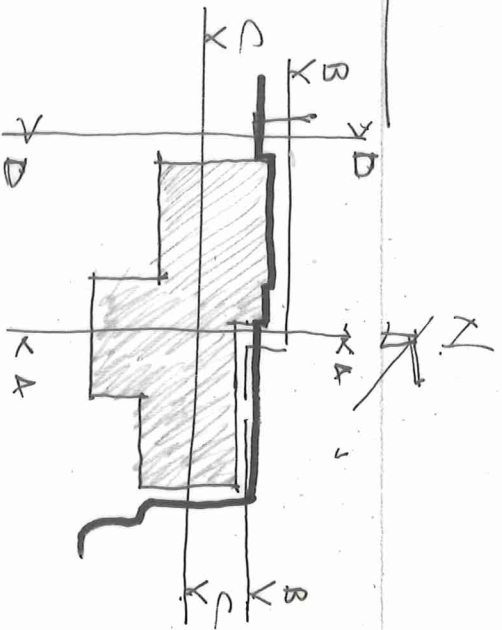


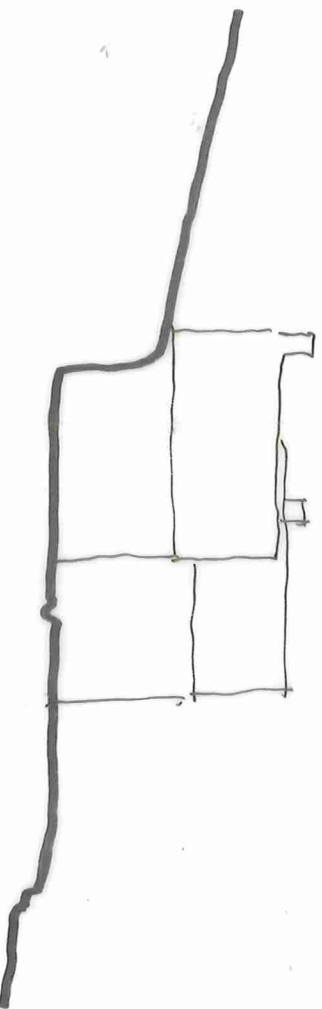
SECTION KA THRO' SITE



SECTION BB THRO' SITE



SECTION CC THRO' SITE



SECTION BD THRO' SITE

WOODSIDE COURT OFFERIDGE WINDY
 EXISTING SITE CROSS SECTIONS
 W/KEY 2024 DRAWING 10
 SCALE 1:200 @ A3