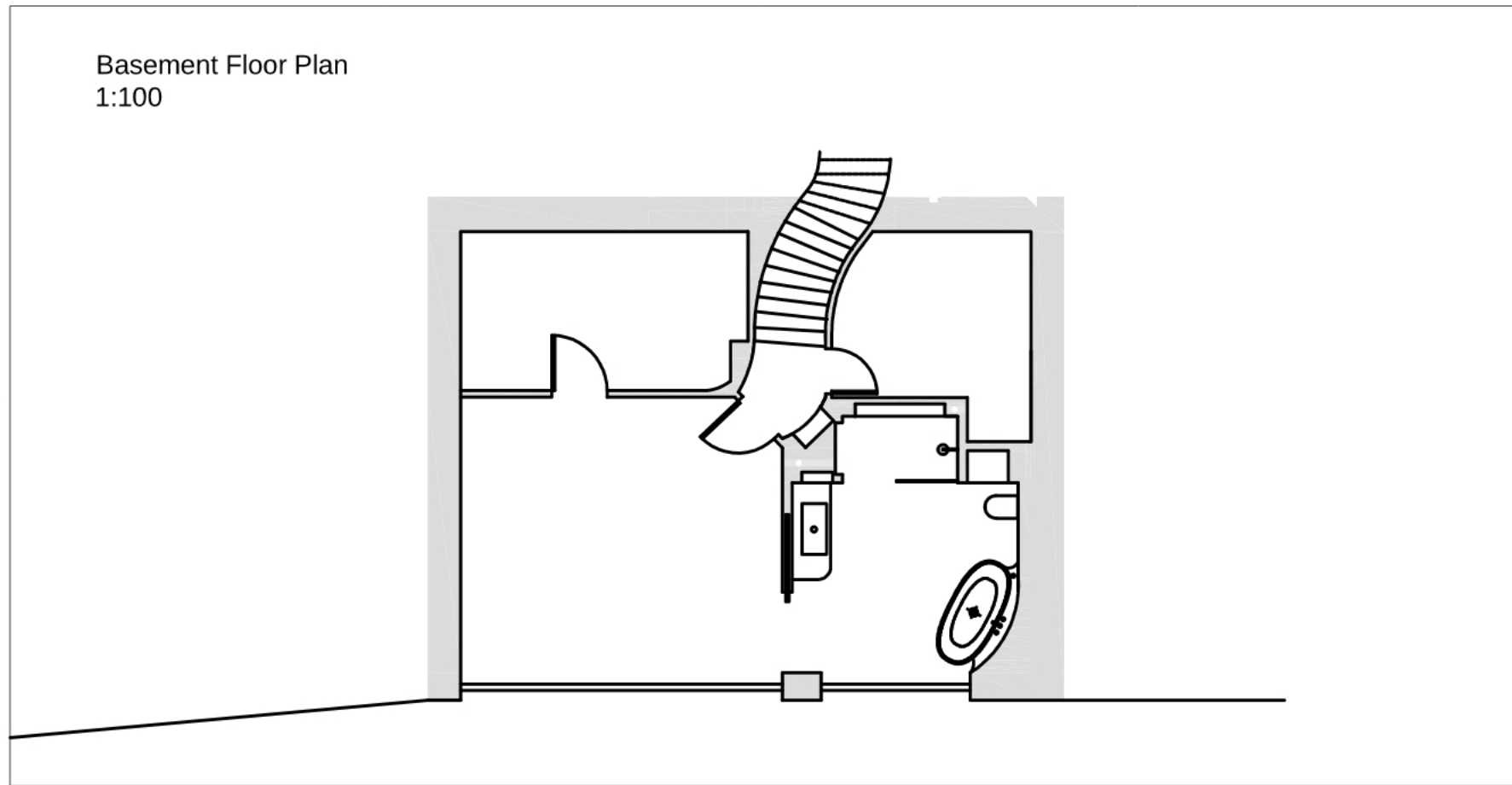


Ground Floor Plan
1:100



Basement Floor Plan
1:100



Revisions

Address
The Thatched House
Cold Ashton

Project

Drawing Title
Existing Ground & Basement
Floor Plans

Scale
1:100 on A3

Date
April 2024

Drawn by _____ Checked by _____

**Contractors must check all dimensions on site
Only figured dimensions are to be worked from
Discrepancies must be reported immediately to
the architect before proceeding
This drawing is copyrighted**

Drawing Number _____ Revision _____

1945-E-01
Filename