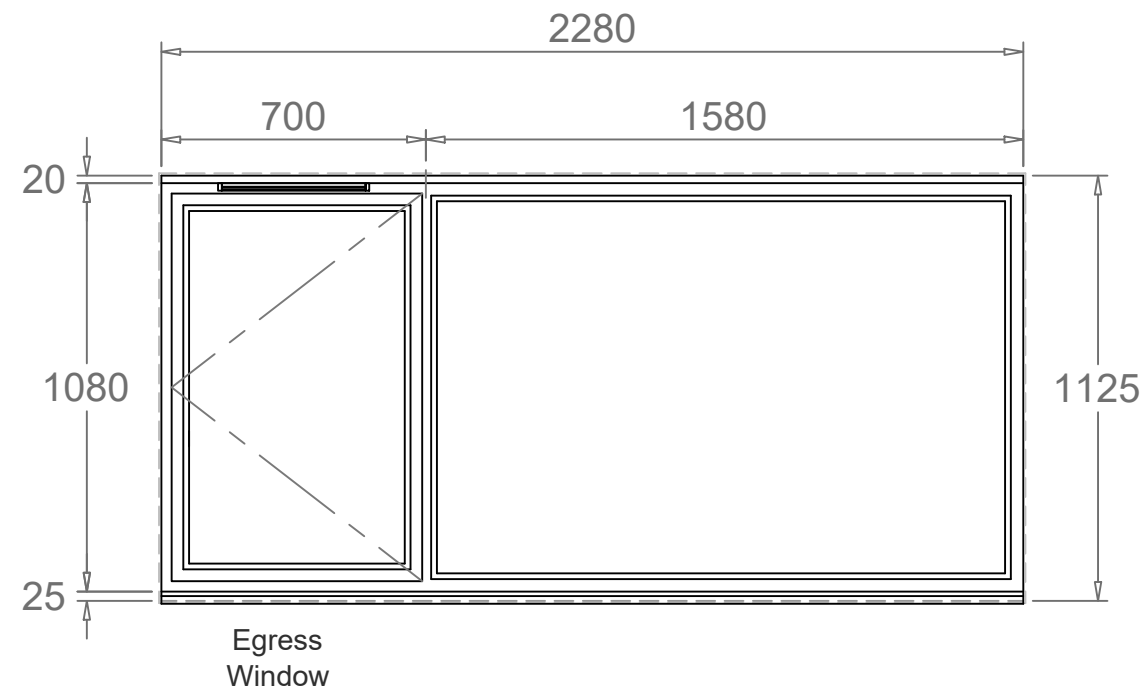
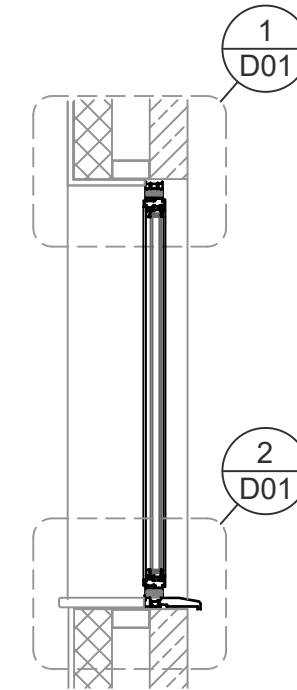


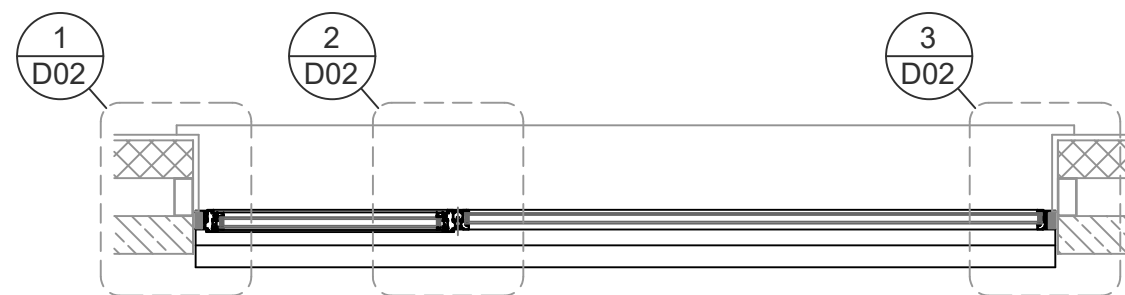
Viewed from outside



Elevation



Vertical section through window



Plan

Alitherm Heritage  
 ETC457 - 150mm sub cill  
 ETD056 - 20mm head extension  
 G1 Superior clear float low-e glazing  
 1 x TTF Slimline 400 trickle vent  
 (providing 4069mm<sup>2</sup> EA)  
 Bright Bronze Handles

**Type A - 1 No Req'd**  
**Bedroom / Fire Escape**

NOTES

For Approval

02 detail number  
 03 drawing number

REVISIONS

CLIENT

Mr Brightey

CONTRACT

Corner House  
 Shapway Lane  
 Stoney Stratton  
 Shepton Mallet  
 BA4 6DZ

DRAWING TITLE

Aluminium window  
 & door schedule

SCALES @ A3	DATE
1:20	April '24

DRAWN BY

pmc

DRAWING NO.	REV.
JXXXX - E01	



Techniglaze Limited  
 Units 1-6 Fourth Avenue  
 Westfield Industrial Estate  
 Midsomer Norton  
 Radstock BA3 4XE

Tel: 01761 417654  
 Fax: 01761 417207