

Lime Cottage, Cassington, Oxfordshire

Listed building consent for the replacement of seven windows and one door

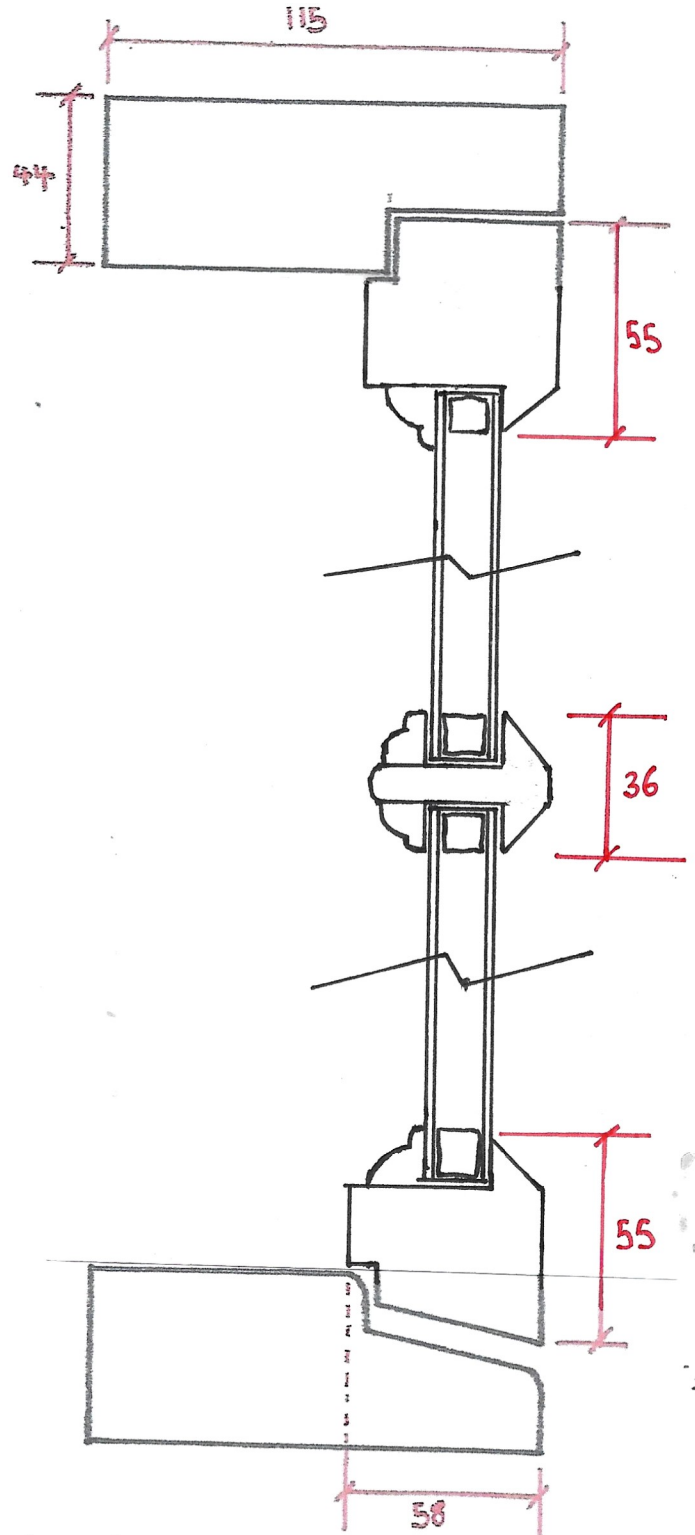
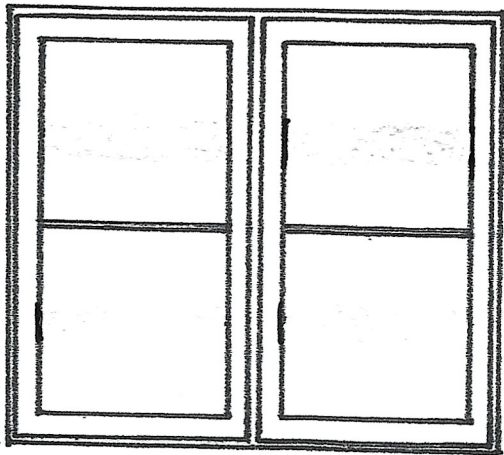
Proposed section and elevation drawings

Section drawings are at a scale of 1:2 on A4

Elevation drawings are at a scale of 1:20 on A4

All measurements shown are in millimetres

Window W1



Proposed structural opening changes:

None

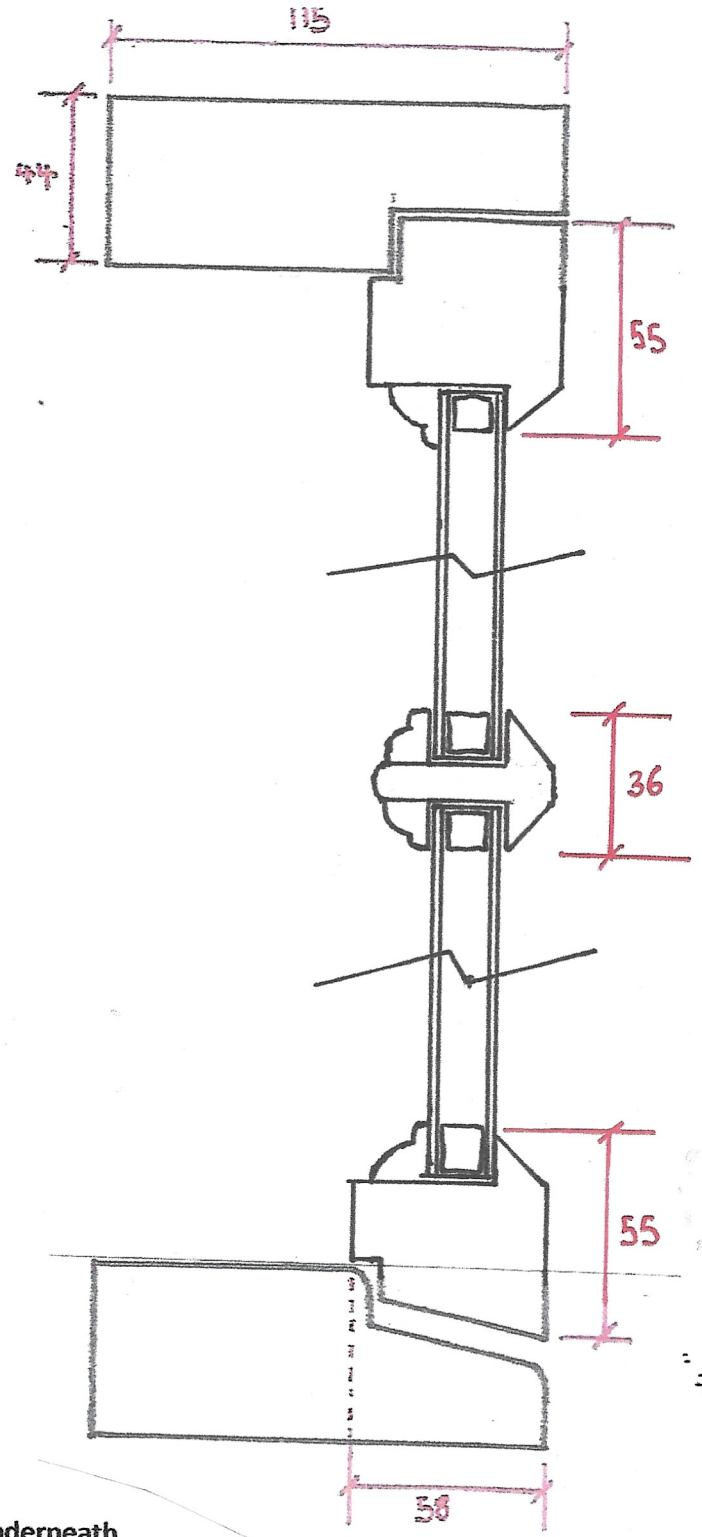
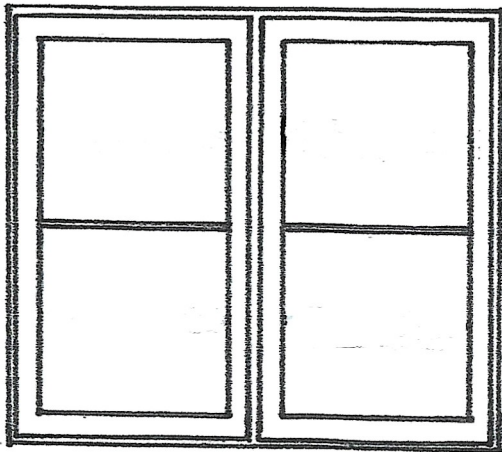
Proposed lintel changes:

Paint to be carefully stripped off to reveal oak beam underneath.

Proposed sill changes:

Portland cement mortar to be carefully removed and replaced with lime mortar.

Window W2



Proposed structural opening changes:

None

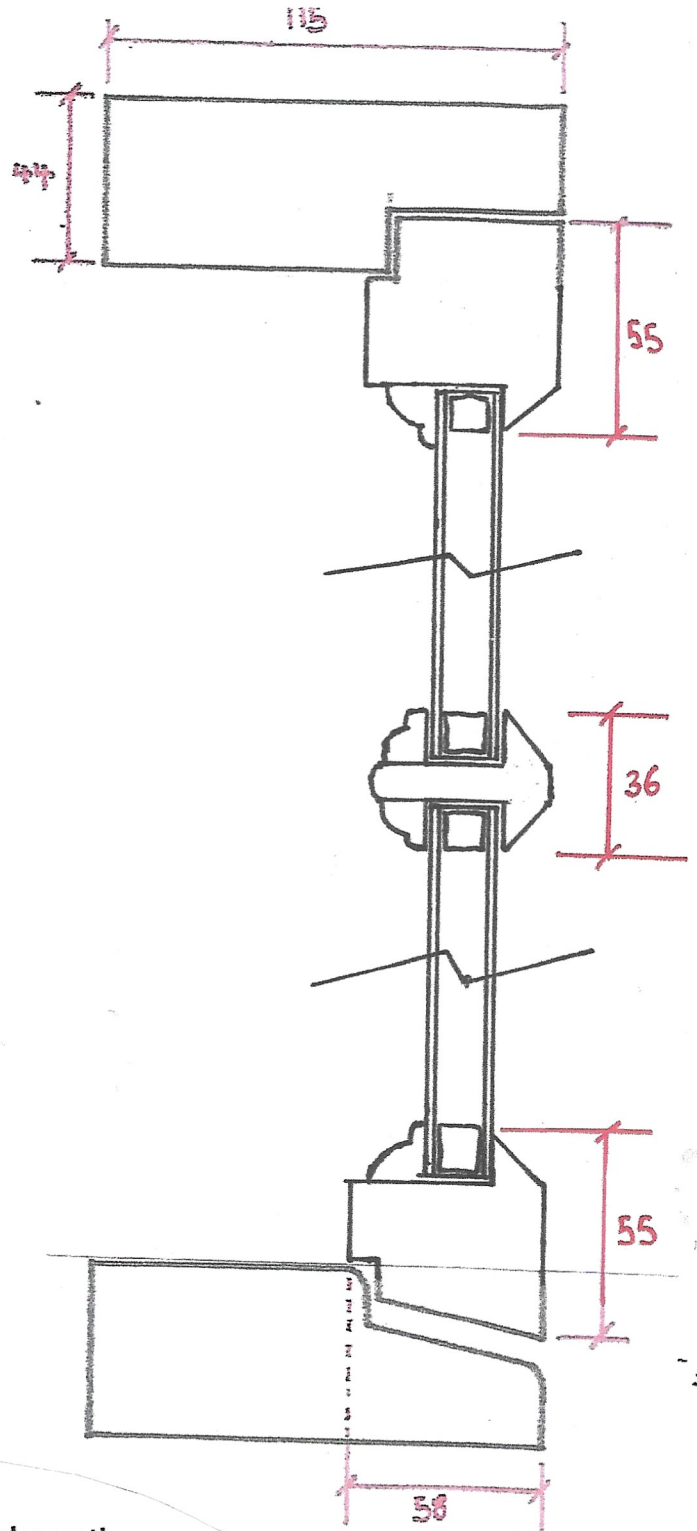
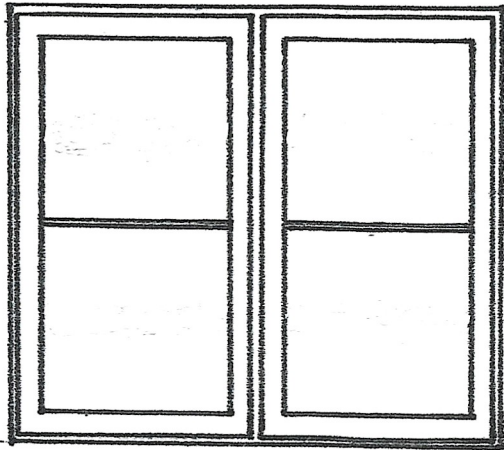
Proposed lintel changes:

Paint to be carefully stripped off to reveal oak beam underneath.

Proposed sill changes:

Portland cement mortar to be carefully removed and replaced with lime mortar.

Window W3



Proposed structural opening changes:

None

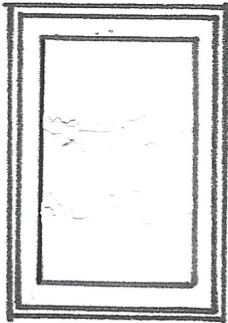
Proposed lintel changes:

Paint to be carefully stripped off to reveal oak beam underneath.

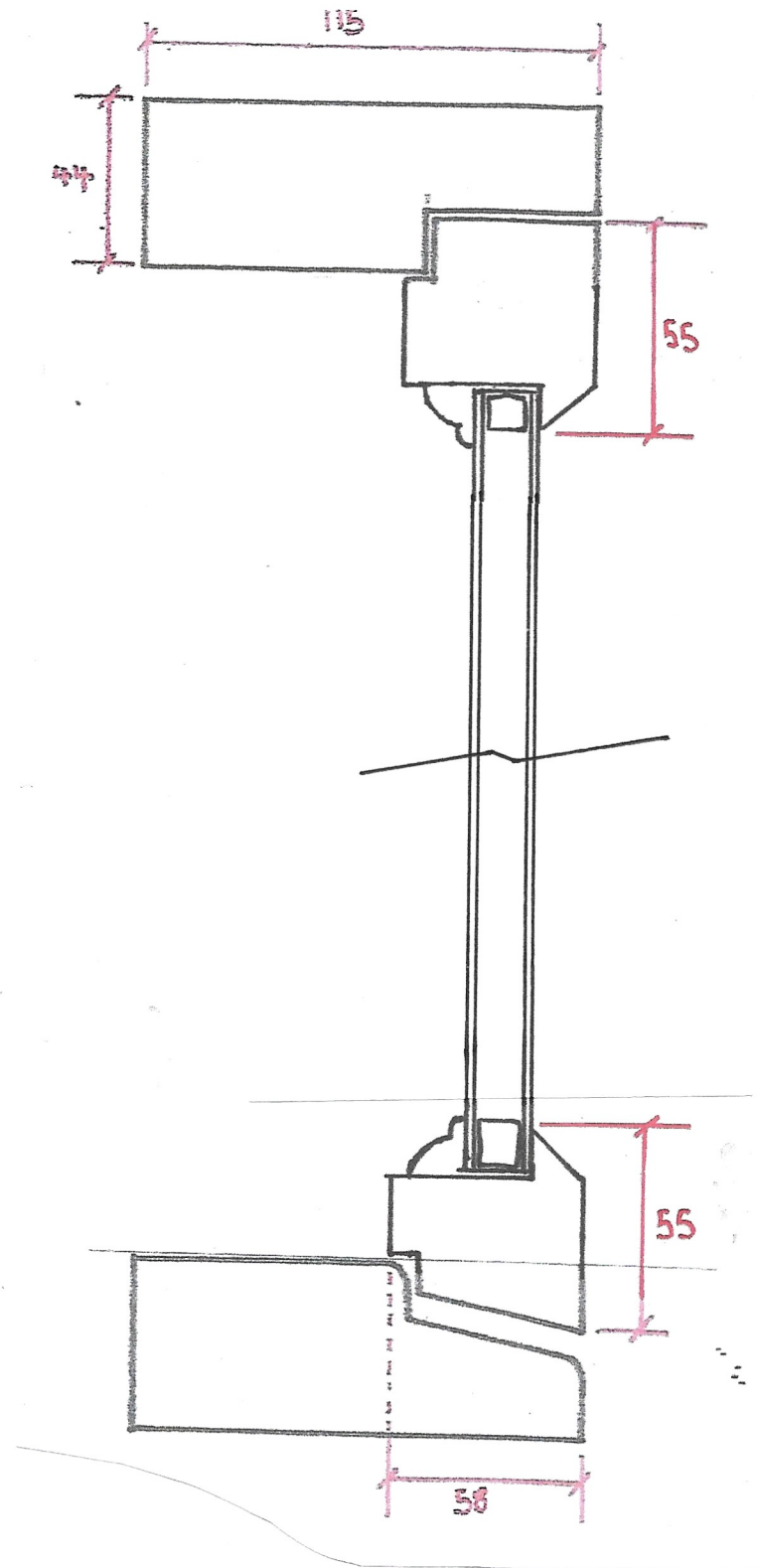
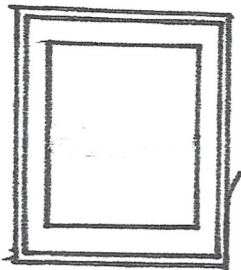
Proposed sill changes:

Portland cement mortar to be carefully removed and replaced with lime mortar.

Window W6



Window W7



Proposed structural opening changes:

None

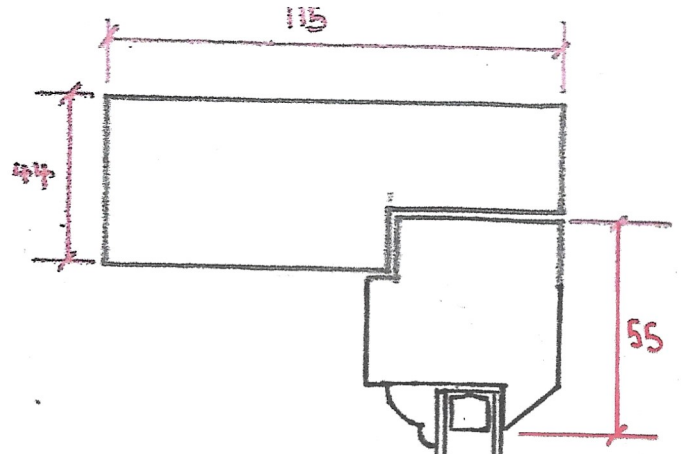
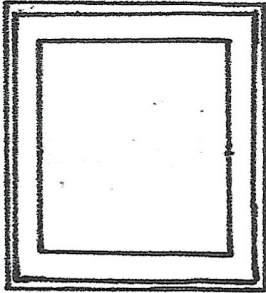
Proposed lintel changes:

None

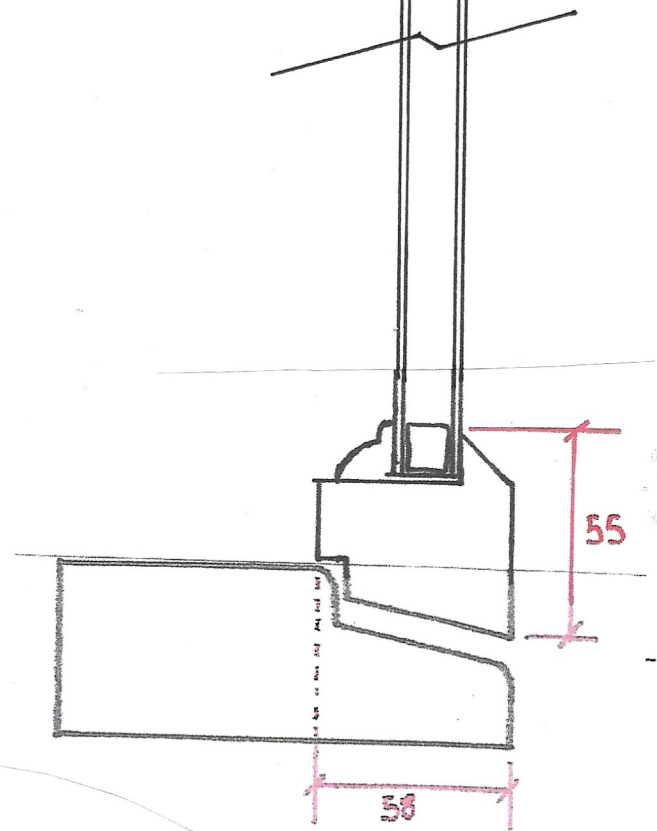
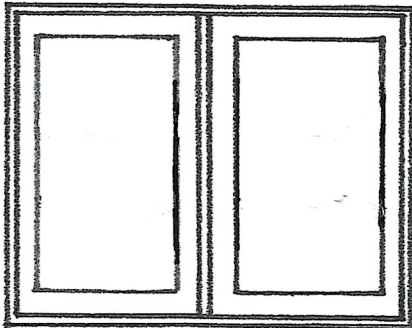
Proposed sill changes:

Portland cement mortar to be carefully removed and replaced with lime mortar.

Window W4



Window W5



Proposed structural opening changes:

None

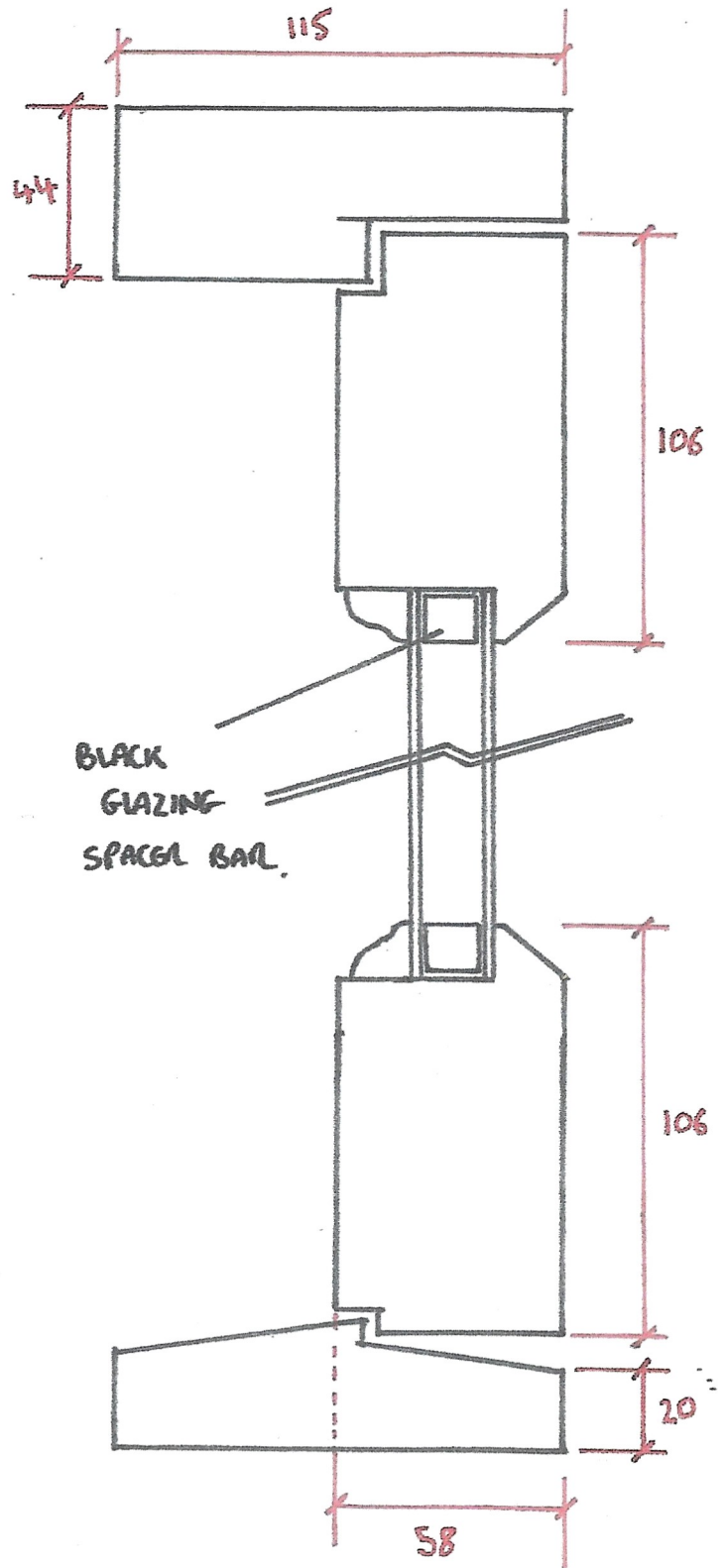
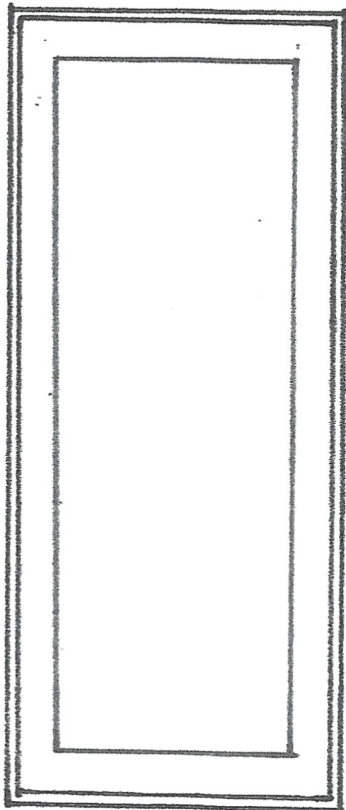
Proposed lintel changes:

None

Proposed sill changes:

Portland cement mortar to be carefully removed and replaced with lime mortar.

Door D1



Proposed structural opening changes:

None

Proposed lintel changes:

None

Proposed sill changes:

New oak timber sill to be installed