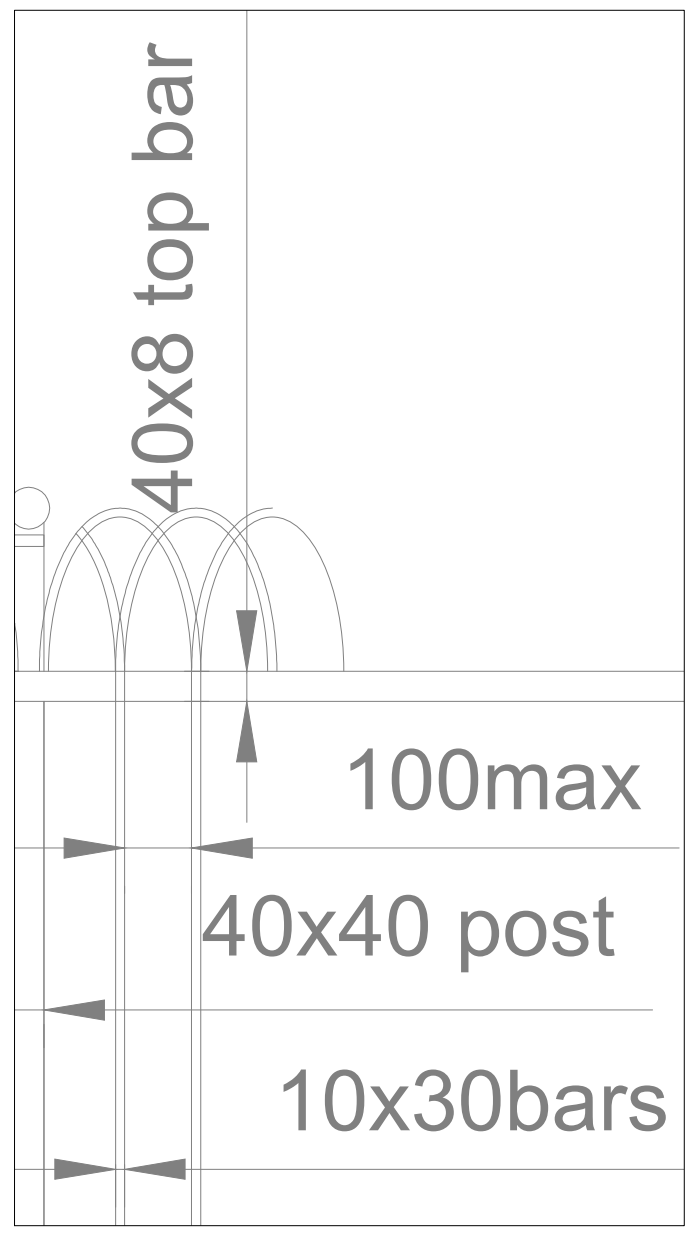
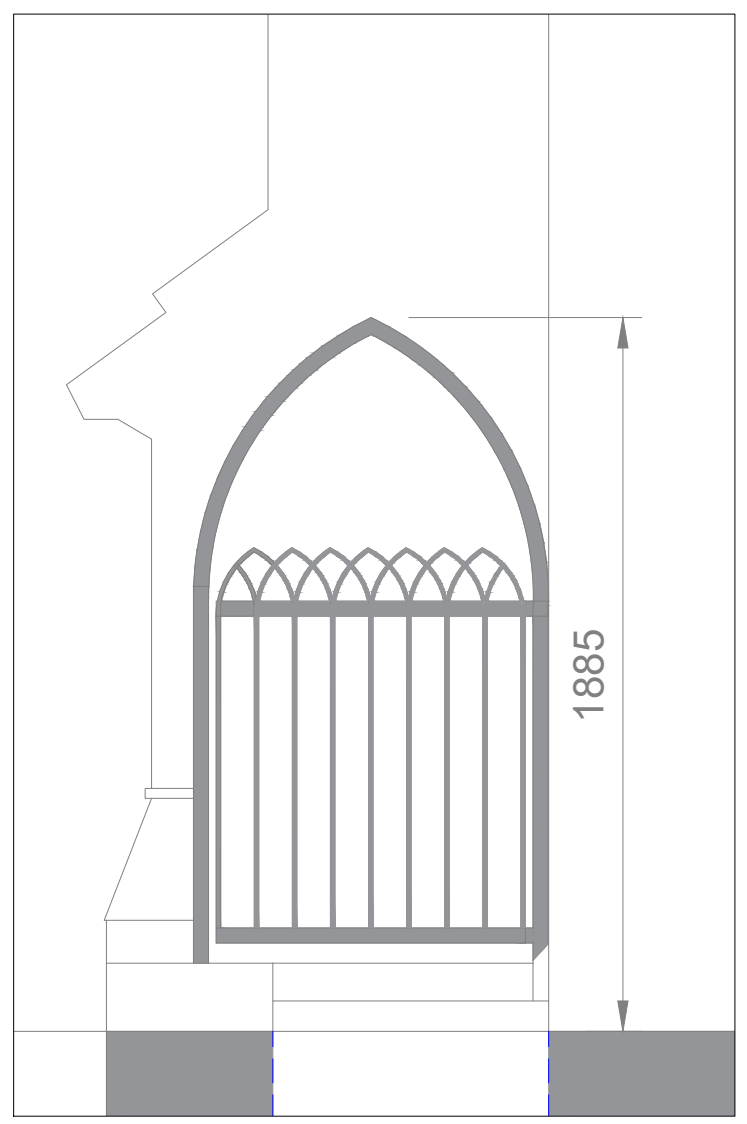
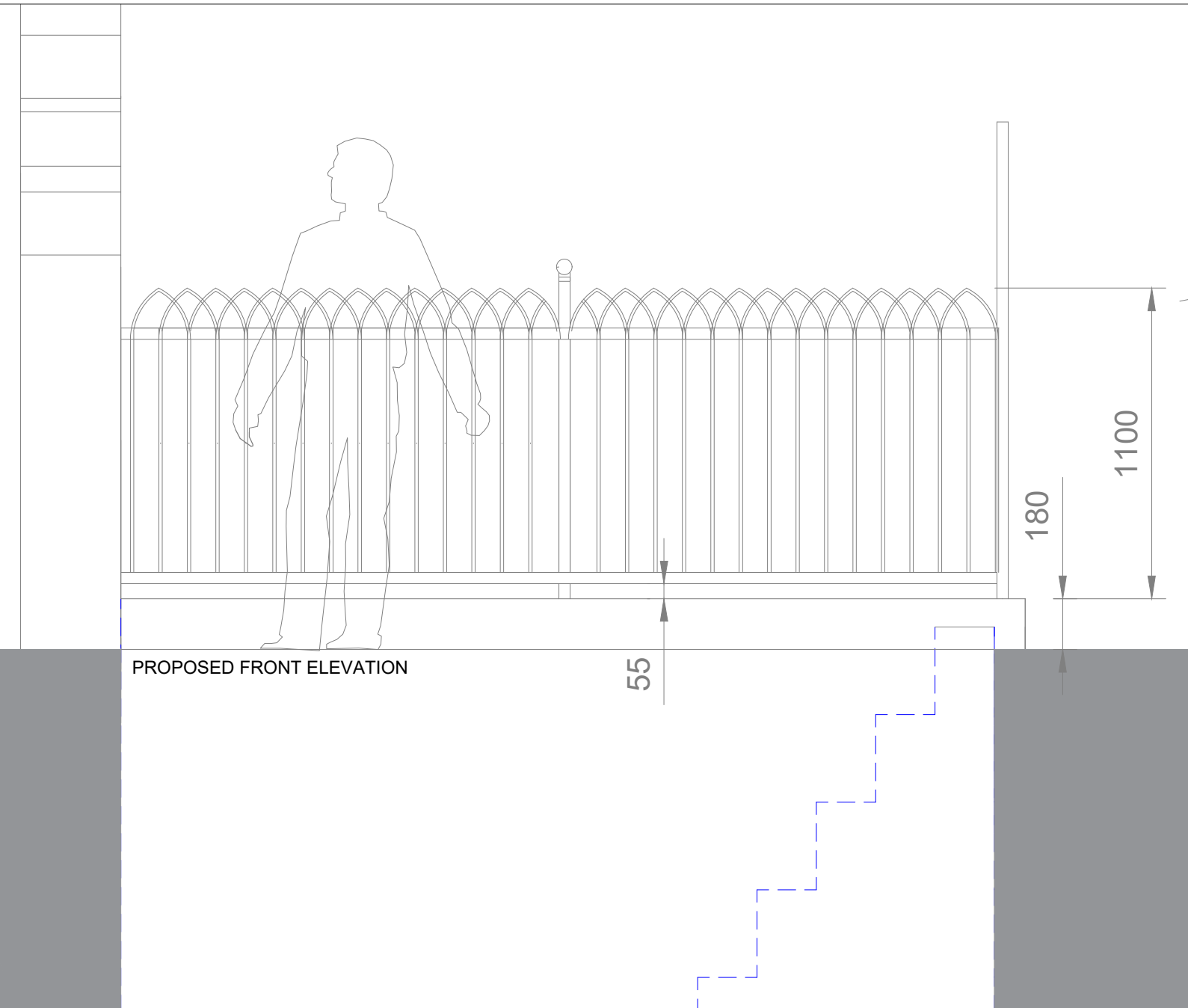


FINISHES
 Metal bars, posts and balustrads - painted
 Black Gloss paint
 Fixings - Resin in existing sandstone



ST MARY'S EPISCOPAL CHURCH
 PROPOSED
 REPLACEMENT OF RAILINGS AT BASEMENT
 STEPS
 REPLACEMENT METAL WINDOWS TO VESTRY
 VESTIBLE
 NEW ACCESS DOOR TO HALL
 DUNBLANE
 PROPOSED RAILINGS

T SQUARE ARCHITECTS	Architecture - Design - Planning		
	Castle View, Steuart Road Bridge of Allan Stirling FK9 4JX Mob: 07596906412 E-mail: claire.gibbons@tsquare-architects.co.uk Web: www.tsquare-architects.co.uk		

scale	1:50 1:20	date	02.03.24	drawn:	CG	status:	P
proj no.	2024-1061	Dwg no.	T-401B	REV			