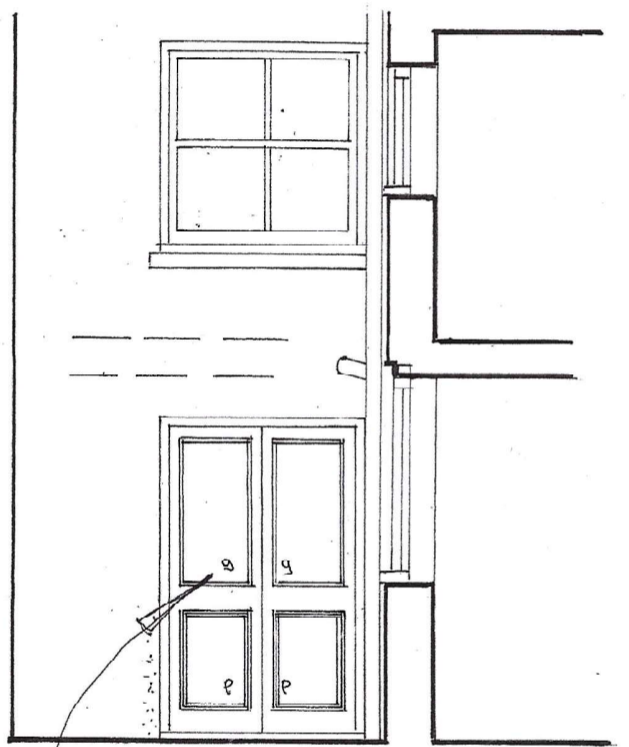


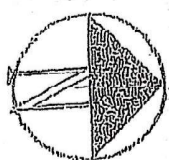
ELEVATION ON A-A



ELEVATION ON B-B

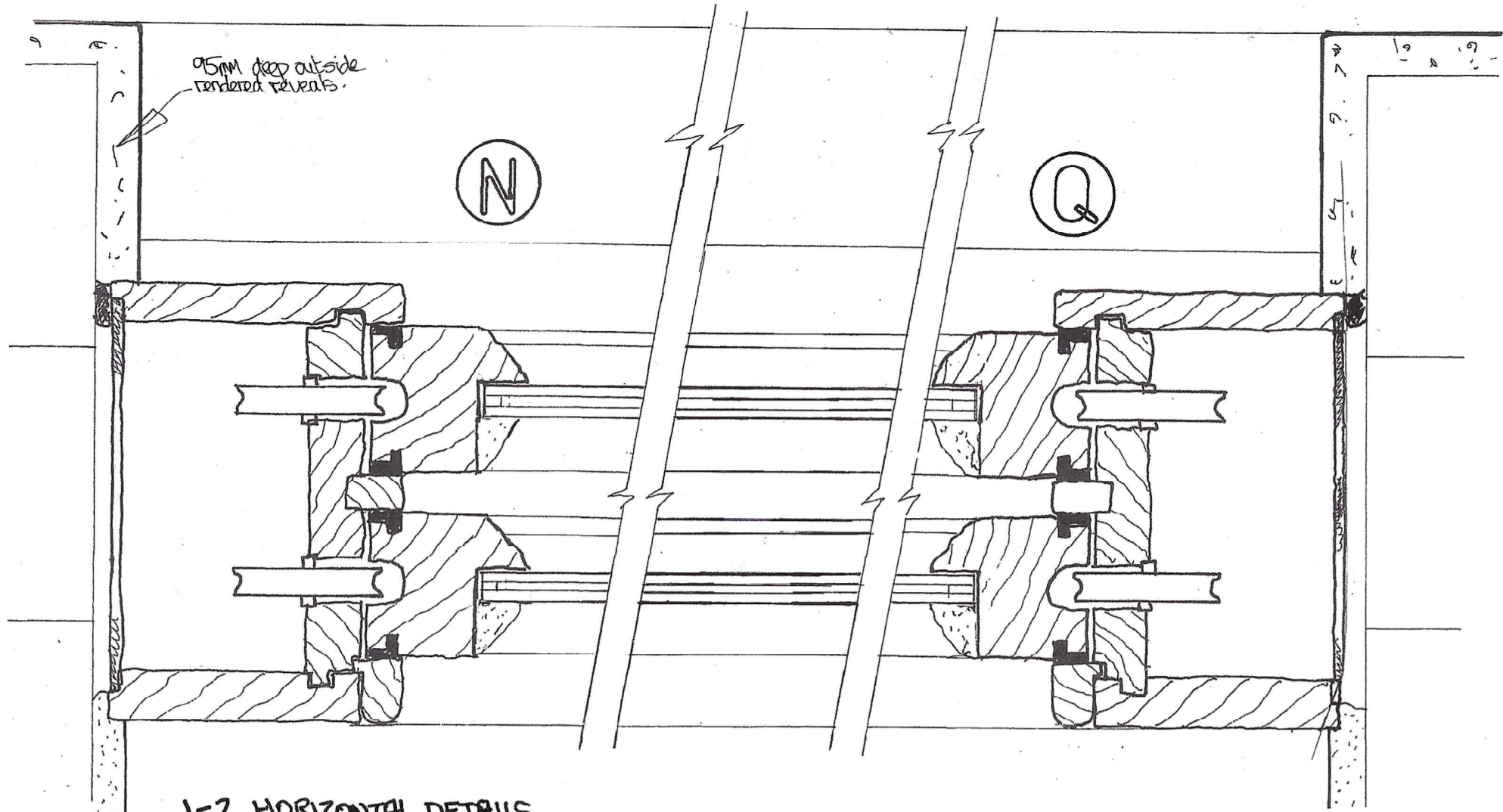
BASEMENT PLAN

(A3 paper size)

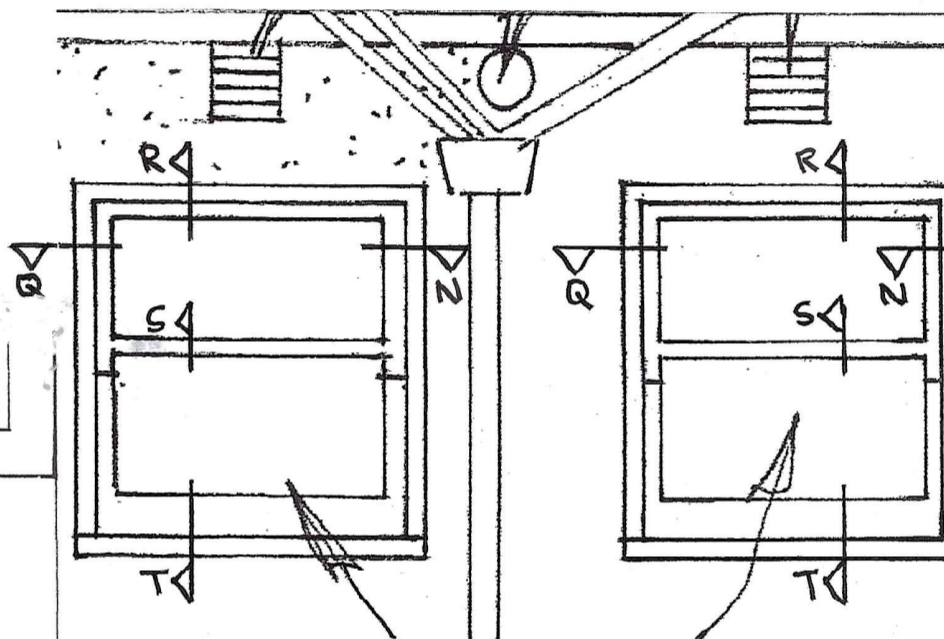


no.	date	by	revision
Project		Title	
9A PORTLAND PLACE BRIGHTON BN2 1DG		BASEMENT FLAT DETAILS AS PROPOSED	
Graham Johnson Designs 184 HOLLINGBURY ROAD BRIGHTON EAST SUSSEX BN1 7JD grahamjohnson134@aol.com		date	scale
		2-24	1-50 @ A3
		drawn	drawing number
		GJ	44395/2

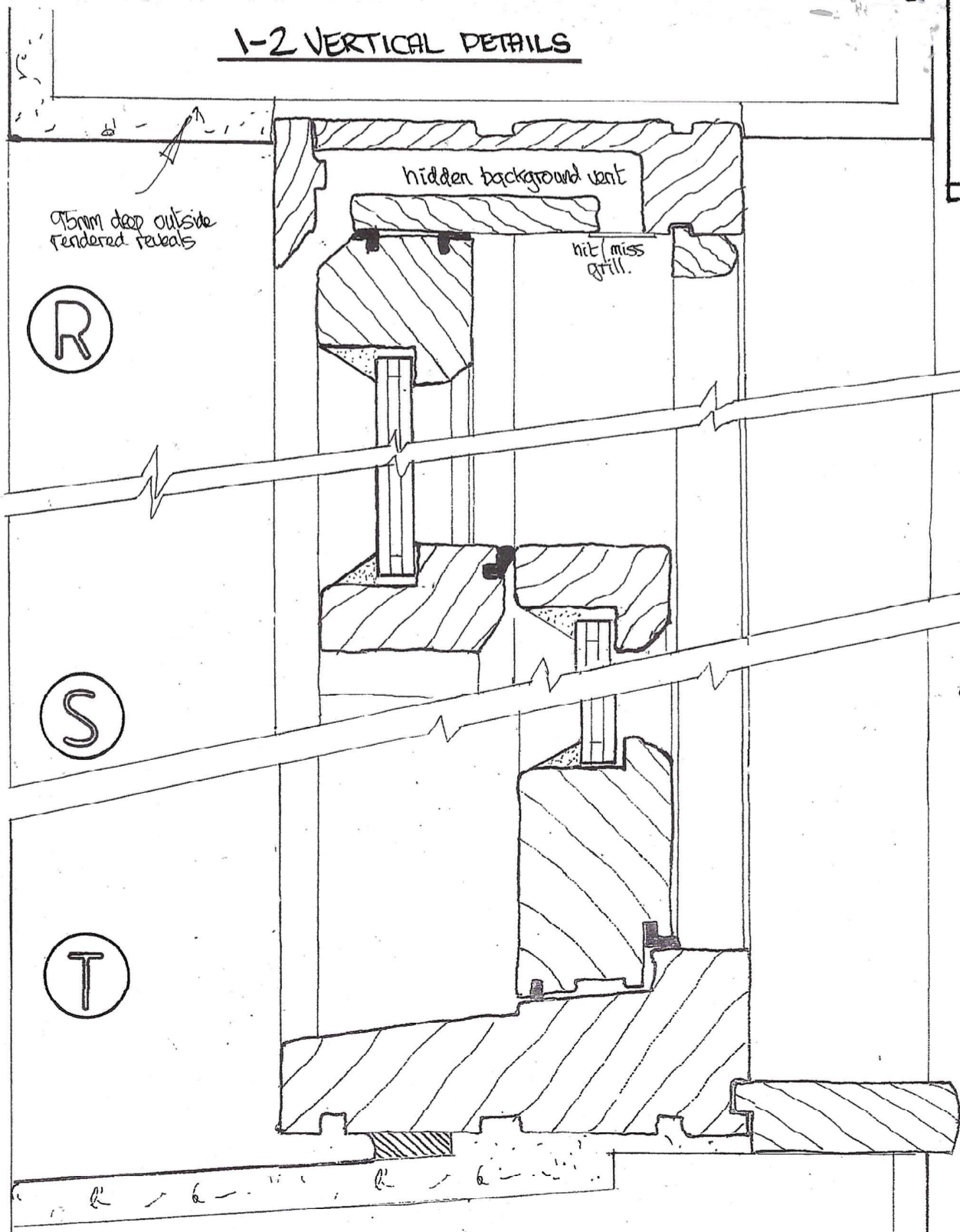
IN QUANTITY USE REFER ALL QUERIES TO ISSUING OFFICE



1-2 HORIZONTAL DETAILS

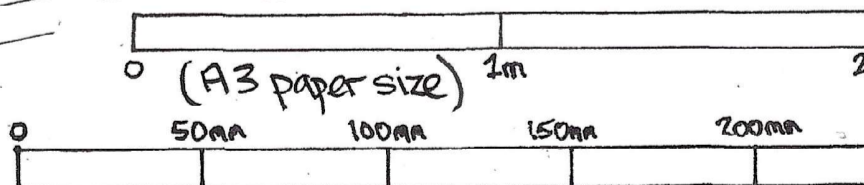


1-20 COURTYARD WINDOW ELEVATIONS

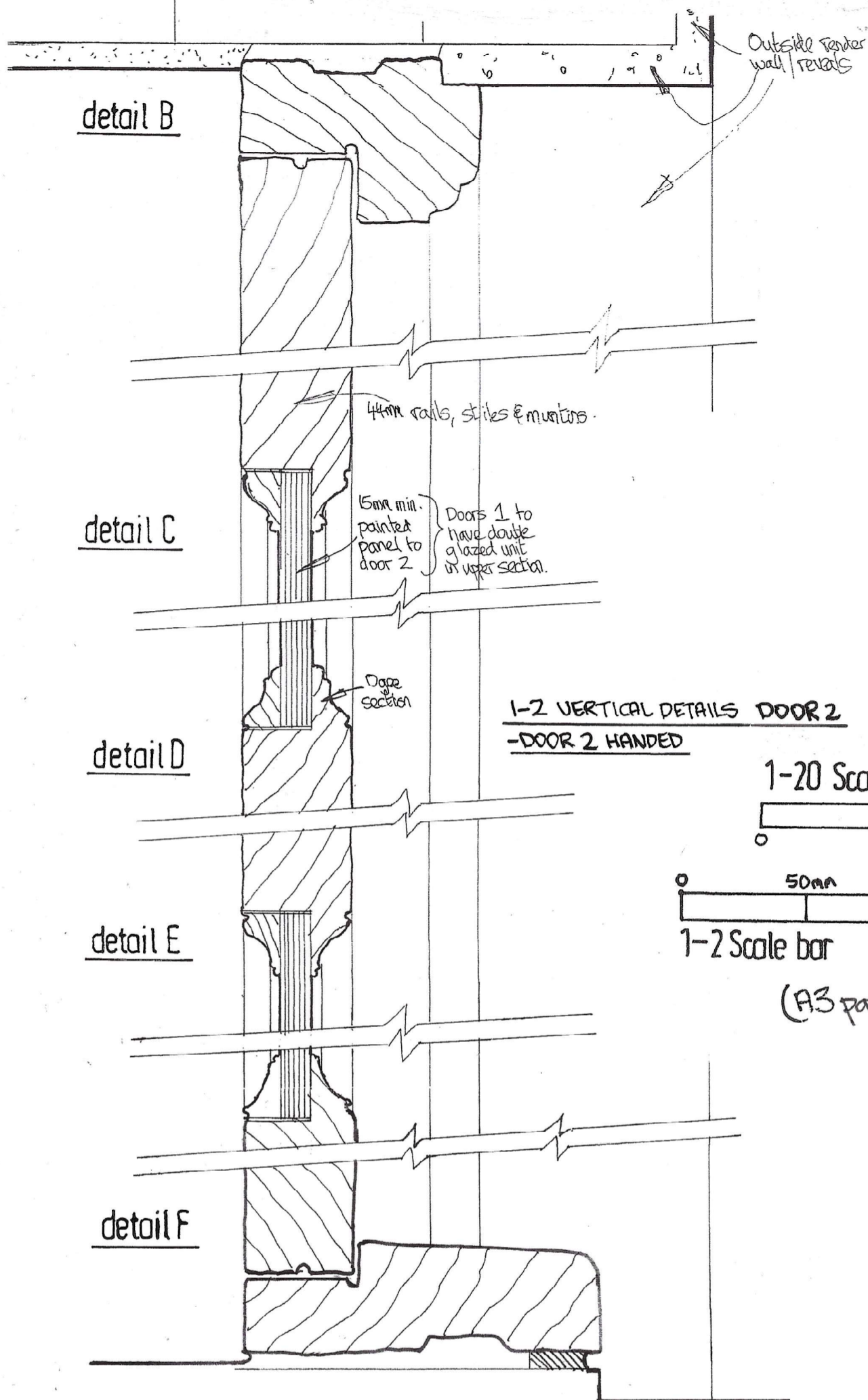


1-2 VERTICAL DETAILS

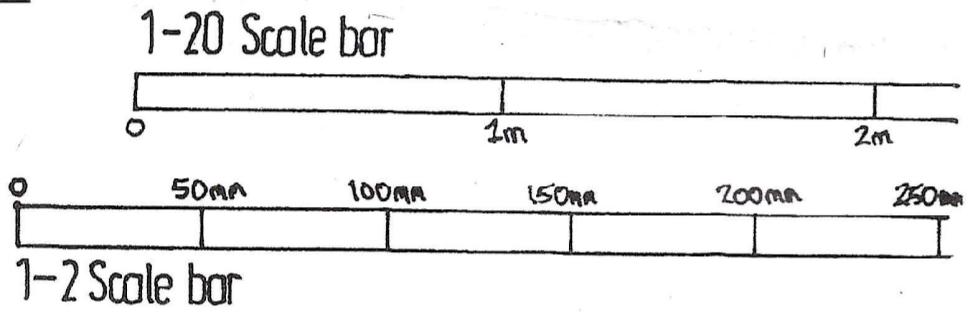
1-20 Scale bar



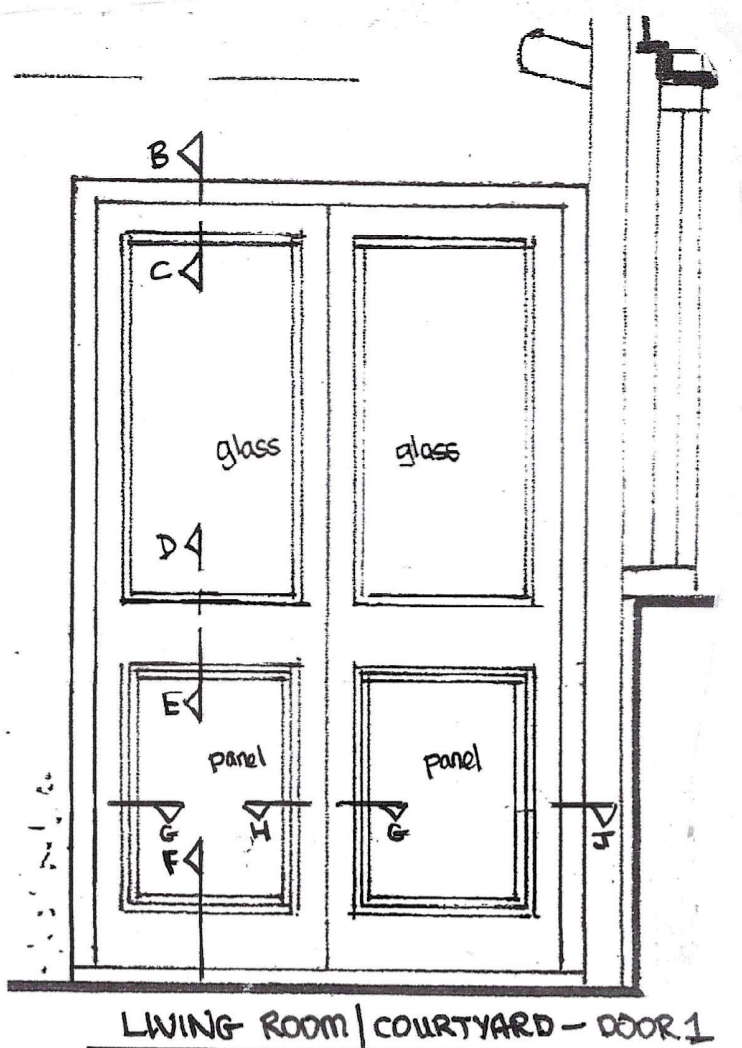
no.	date	by	revision
project		title	
9A PORTLAND PLACE BRIGHTON BN2 1DG		COURTYARD WINDOW DETAILS	
date		scale	
4-24		1-20 @ A3 size	
drawn		drawing number	
G.S.		44395/5	
grahamjohnson134@aol.com			



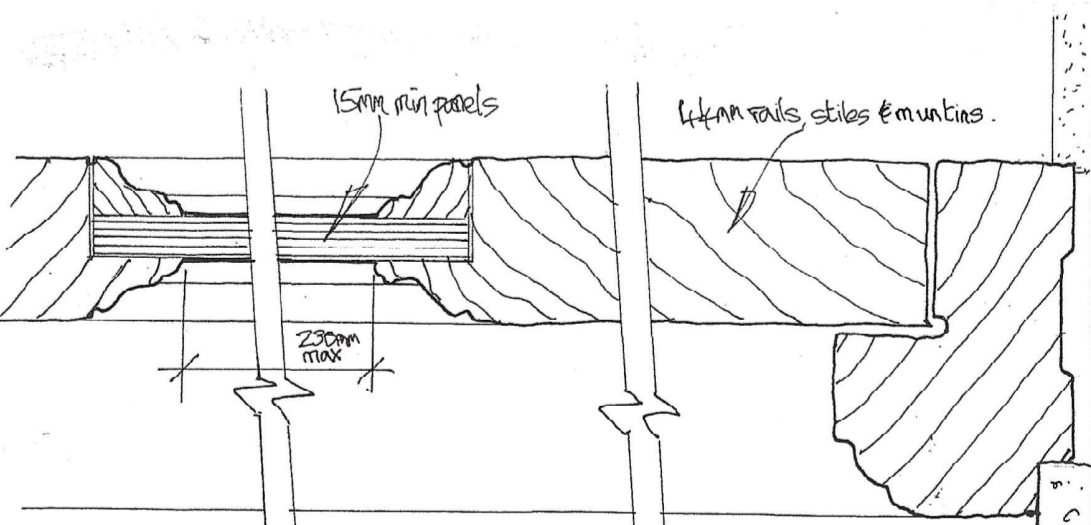
1-2 VERTICAL DETAILS DOOR 2
-DOOR 2 HANDED



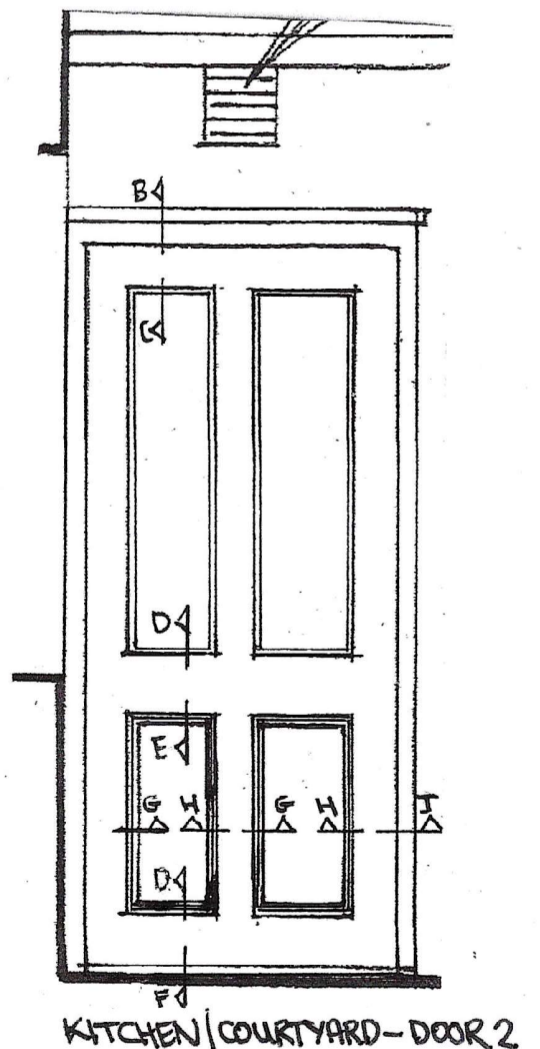
(A3 paper size)



LIVING ROOM | COURTYARD - DOOR 1



1-2 HORIZONTAL DETAILS



KITCHEN | COURTYARD - DOOR 2

no.	date	by	revision
project		title	
9A, BORTLAND PLACE BRIGHTON BN2 1DG		COURTYARD DOOR DETAILS.	
date		scale	
4-24		1-2 & 1-20 @ A3 size	
drawn		drawing number	
G.J.		44395/6	
project GRAHAM JOHNSON DESIGNS 134 HOLLINGBURY ROAD BRIGHTON EAST SUSSEX BN1 7JD grahamjohnson134@aol.com			

Outside render