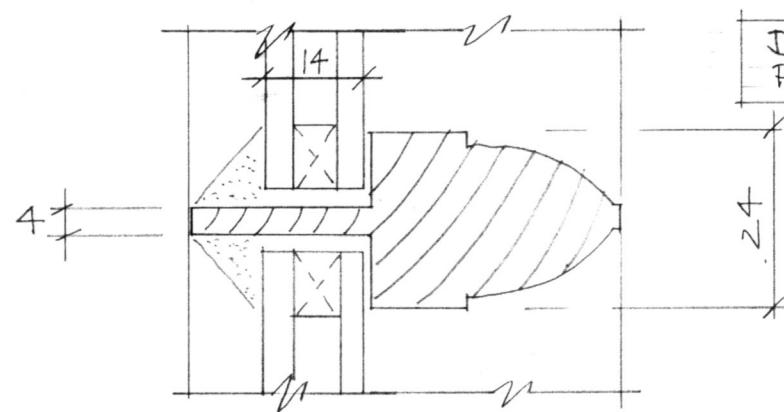
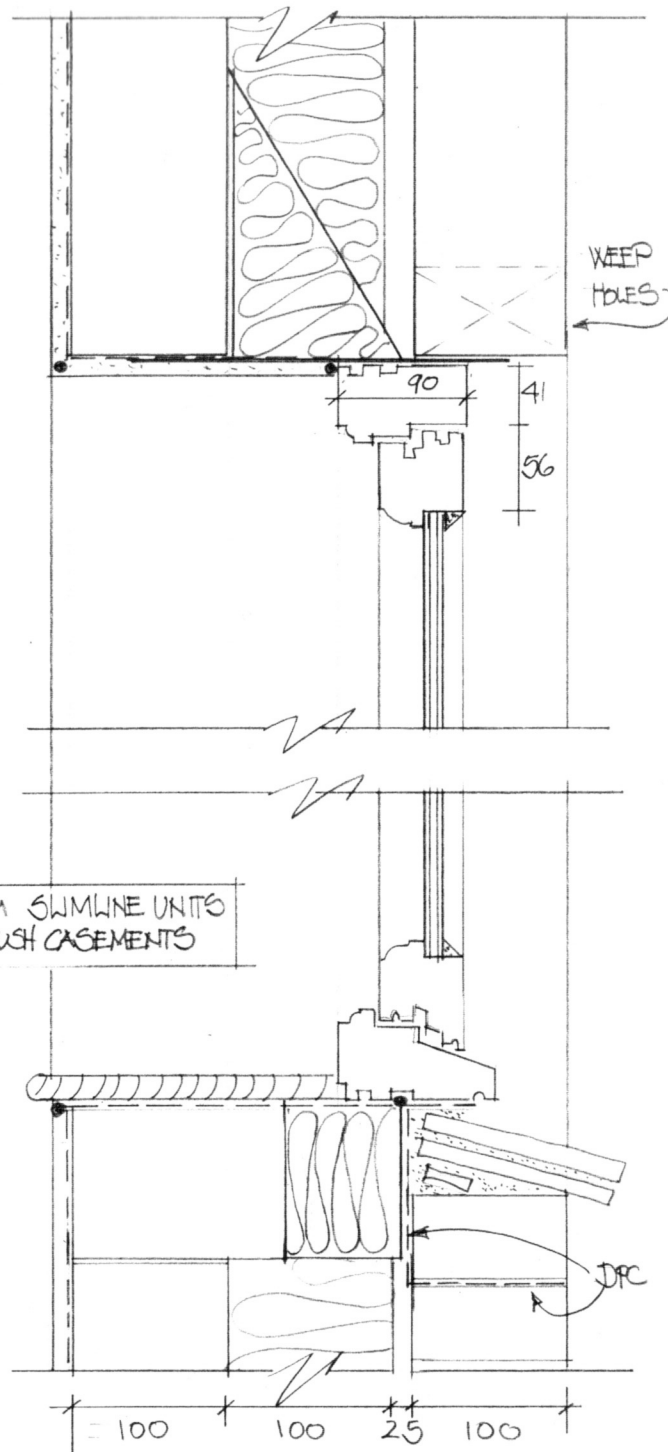


SCALE 1:5 WINDOW JAMB DETAIL Δ

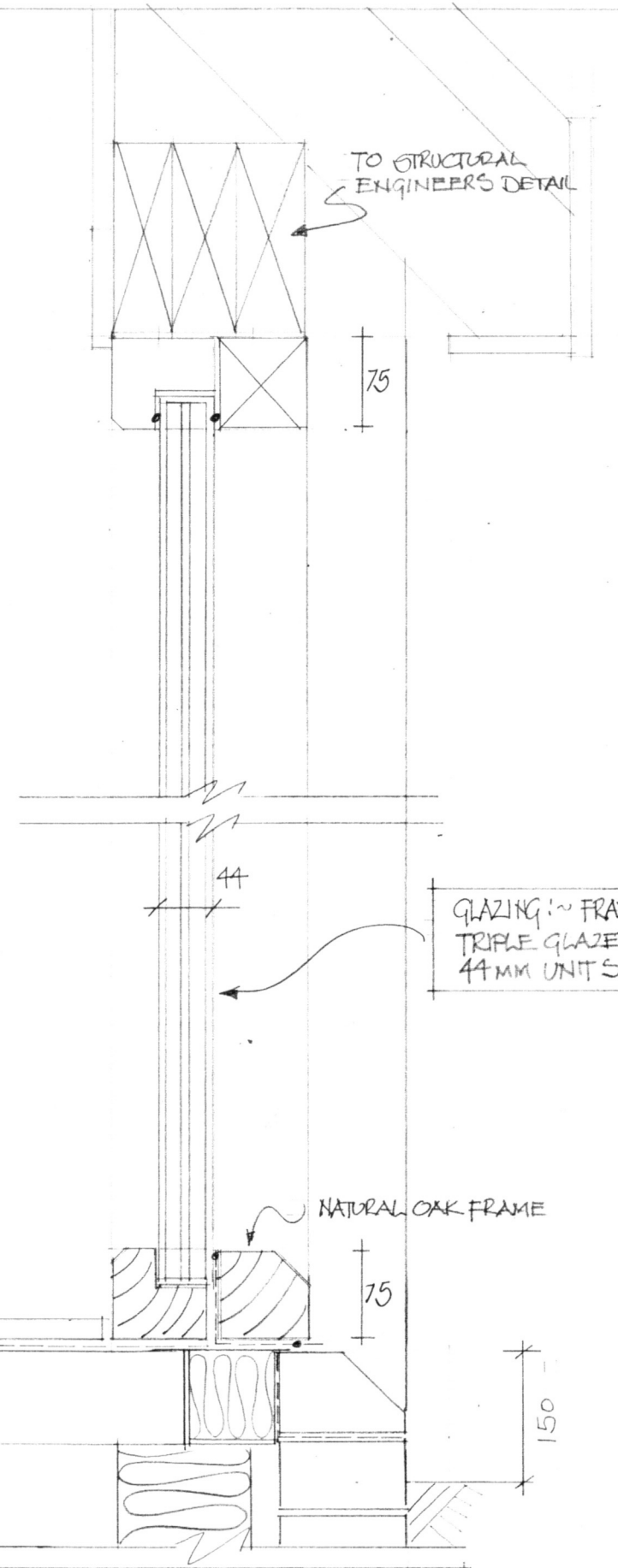
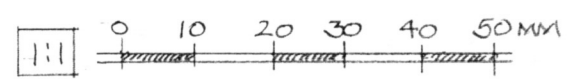


SCALE 1:1 GLAZING BAR & PUTTY DETAIL

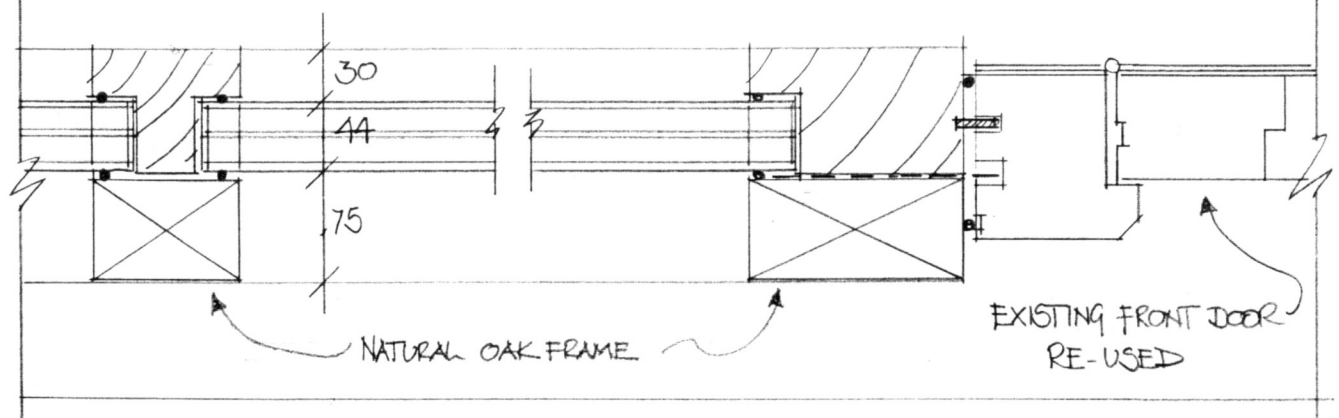
DOUBLE GLAZING 14MM SWIMLINE UNITS
PUTTY FIXED IN TIMBER FLUSH CASEMENTS



WINDOW HEAD & CILL DETAIL
SCALE 1:5

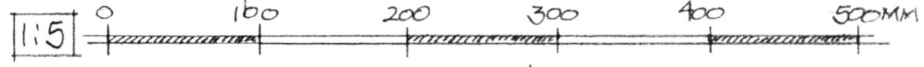


ENTRANCE SCREEN HEAD & CILL DETAIL SCALE 1:5



SCALE 1:5 FRONT DOOR (D1) & GLAZED SCREEN

EXISTING FRONT DOOR RE-USED WITH
KILN DRIED OAK GLAZED SCREEN FRAME TO
TRIPLE GLAZED PANELS



PROJECT
CHAPEL COTTAGE
1 RUSSELLWAY
PETERSFIELD GU314LD

DRAWING
WINDOW DETAILS

APRIL '24 1:1 & 1:5

AGD/BR 24/03