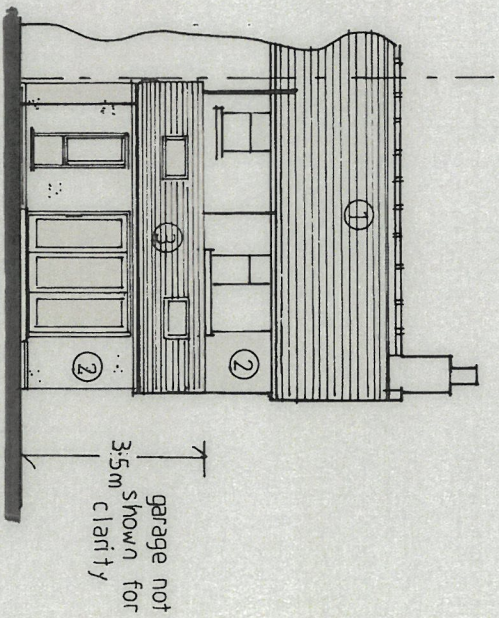
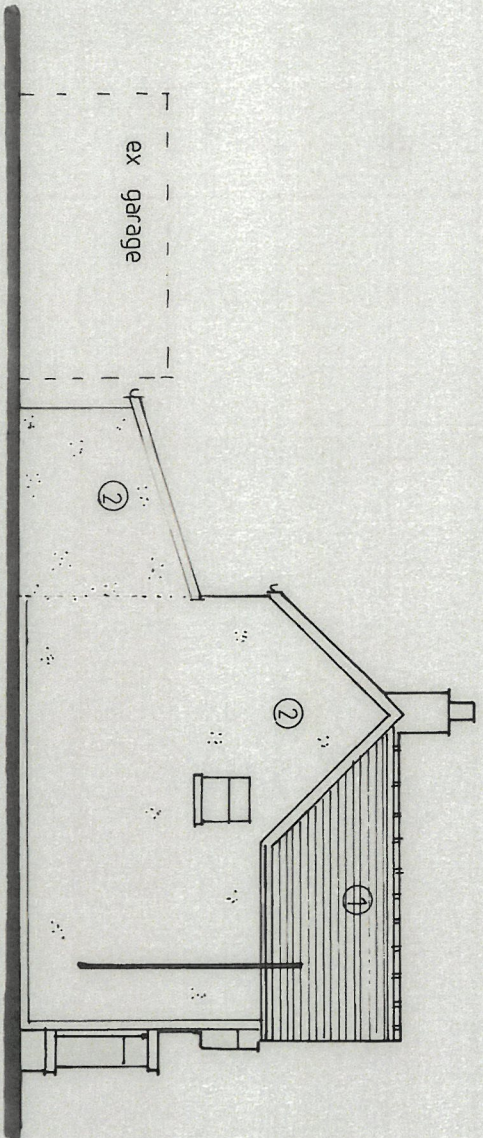


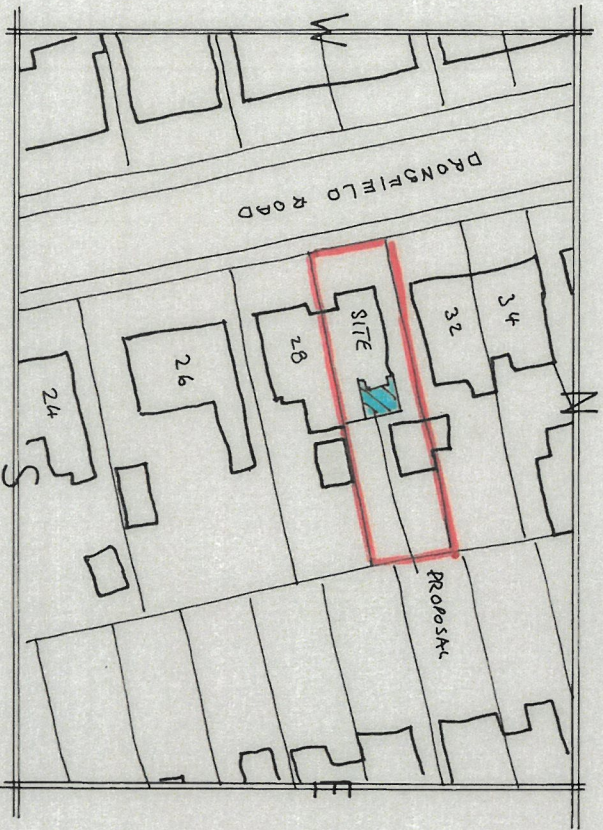
PROPOSED ELEVATIONS
SITE PLAN

1:100
1:500

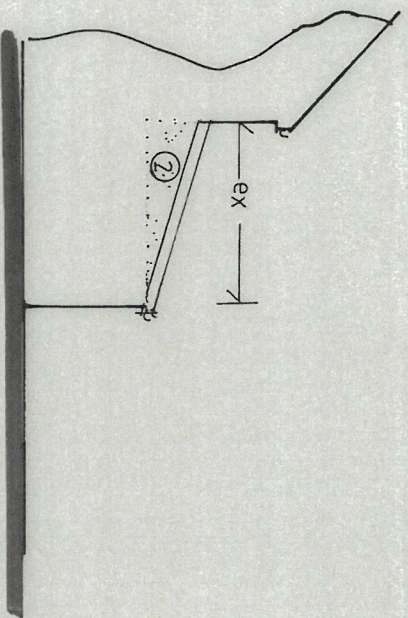


side

rear



- ① Rosemary tiles (red)
- ② Dashed render
- ③ Sandtoft 20/20 tile (red)



side