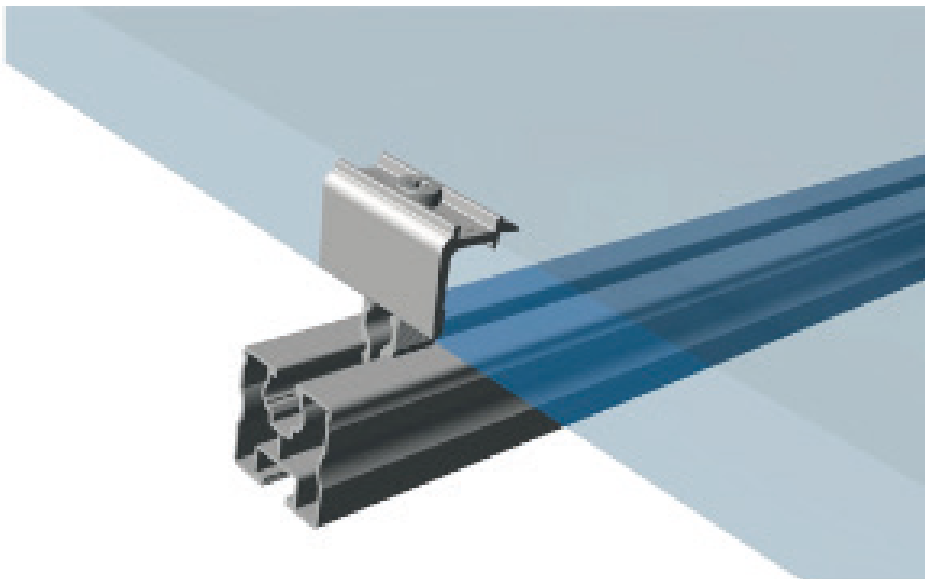


SCHLETTER
The Solar Mounting Group

RAPID16

PRODUCT SHEET



RAPID16

THE NEW FAMILY OF CLAMPS

Schletter's new Rapid16 family of modular clamps offers many advantages, such as better warehousing thanks to minimal versions, and a grounding pin in every module clamp. Rapid16 is right for any Schletter module-bearing profile with an 8 mm Klicknut and is designed for module frame heights of 30–50 mm.

- **Minimal versions for all applications**
- **Integrated grounding pin**
- **Optimal warehousing and fast installation**
- **General building approval Z14.4-631**
- **10-year warranty**

The clamping range is divided into two sizes. The lower module clamps can hold modules with a frame height of 30–40 mm.

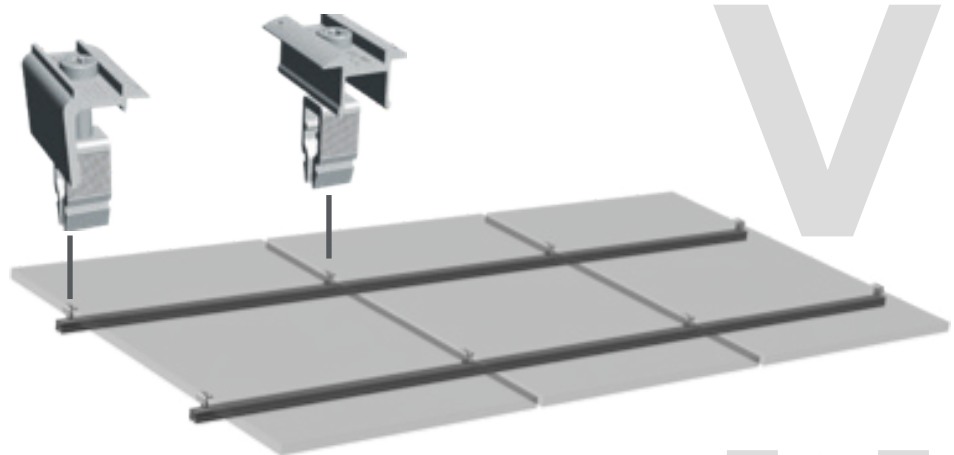
The higher ones are suitable for frame heights of 40–50 mm. With all middle clamps and the high end clamps, all claws can be rotated and are therefore suitable for vertical or horizontal (linear) module clamping. The exception is the end clamps for low module frames. For geometric reasons, rotation is not possible on them.

Therefore there is also a low end clamp in an "H" version.

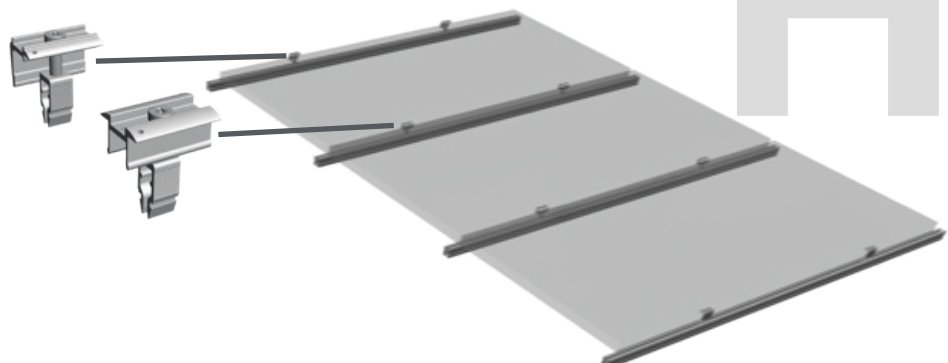
All clamps are also available in black anodized versions to best coordinate them with black module frames.

INSTALLATION TYPE

VERTICAL:



HORIZONTAL:



ITEM

BLANK ALUMINUM	BLACK ANODIZED	Item designation	Installation type
131121-002	131121-902	Center clamp Rapid16 40-50	
131101-002	131101-902	End clamp Rapid16 40-50	V + H
131121-001	131121-901	Center clamp Rapid16 30-40	V + H
131101-001	131101-901	End clamp Rapid16 30-40	V + H
131101-003	131101-903	End clamp Rapid16 H 30-40	V H

For more information, see www.schletter-group.com

SCHLETTER SOLAR GMBH

Alustraße 1
83527 Kirchdorf
GERMANY

www.schletter-group.com

